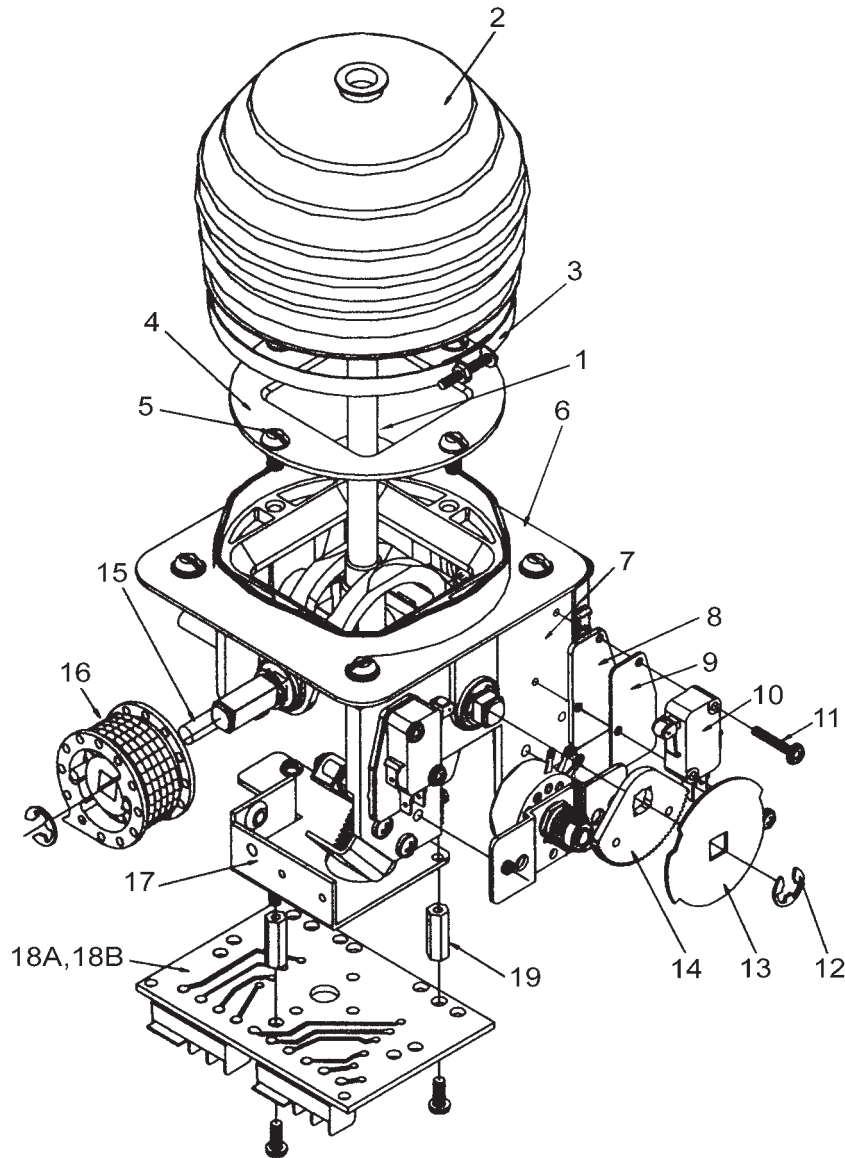


Joystick w/o Handle



Item	Part No.	Qty	Description	Item	Part No.	Qty	Description
	580468		Joystick w/o Handle				
1	-----	1	. Shaft Assembly	8	250069	4	. Insulator
	-----	2	.. Pin	9	250070	4	. Insulator
	-----	1	.. Coupling, Shaft	10	250071	4	. Microswitch
	-----	2	.. Bushing	11	250072	8	. Screw
	-----	1	.. Screw	12	250073	8	. E-Clip
	-----	1	.. Connecting Piece	13	250074	2	. Cam
	-----	1	.. Shaft	14	250075	2	. Drive Gear
	-----	1	.. Roller	15	250076	2	. Spring Return Bolt
2	248657	1	. Boot	16	250077	2	. Spring Return Bolt
3	248658	1	. Boot Clamp	17	250078	1	. Bracket
4	250065	1	. Gate	18A	250145	1	. PCB
5	250066	4	. Screw, 5mm	18B	250146	1	. PCB
6	250067	1	. Cork Gasket	19	250081	3	. Standoff
7	250068	1	. Standard Casting				