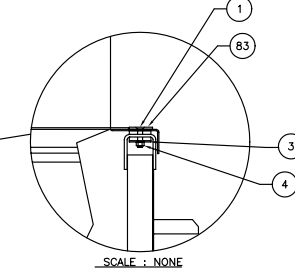
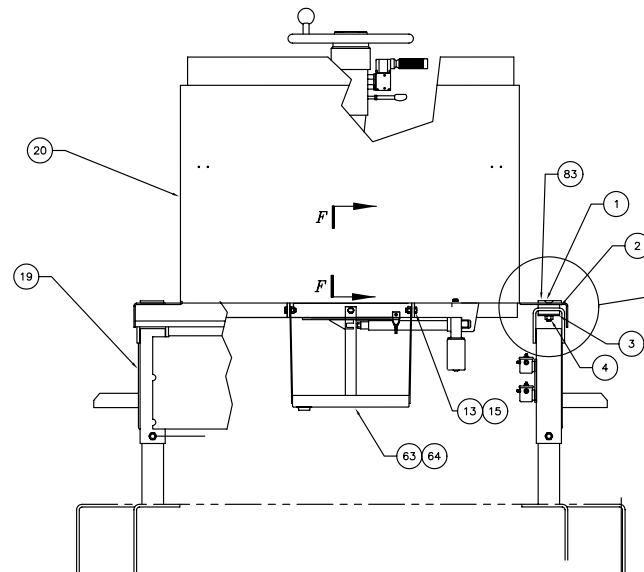
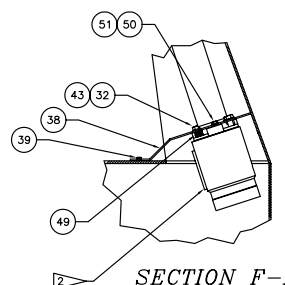
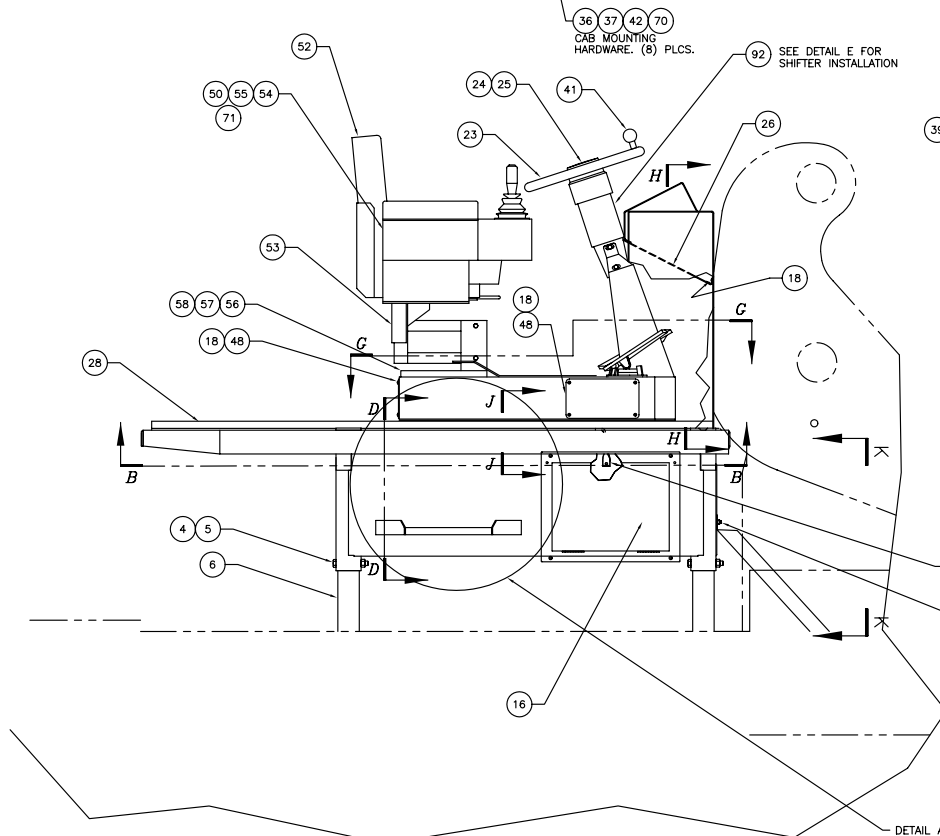
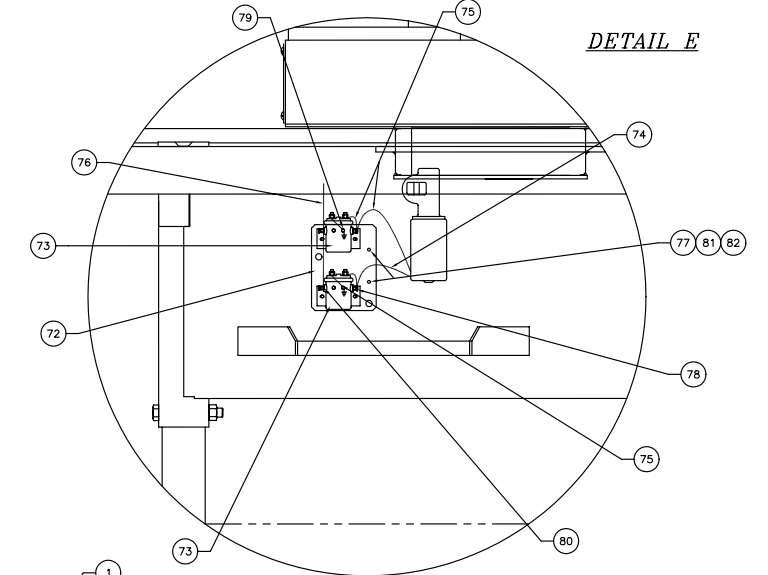
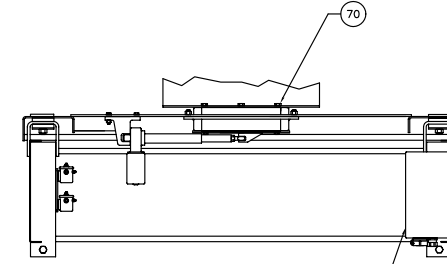
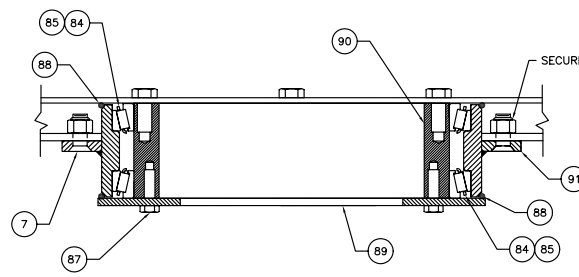
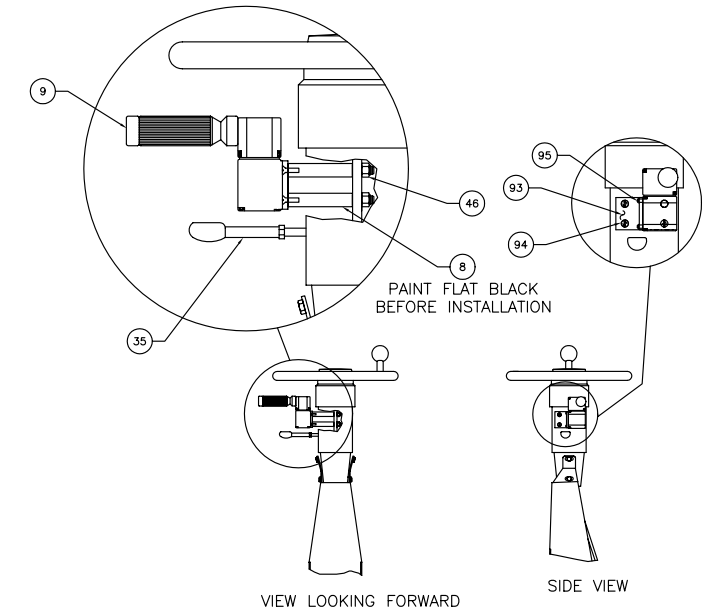
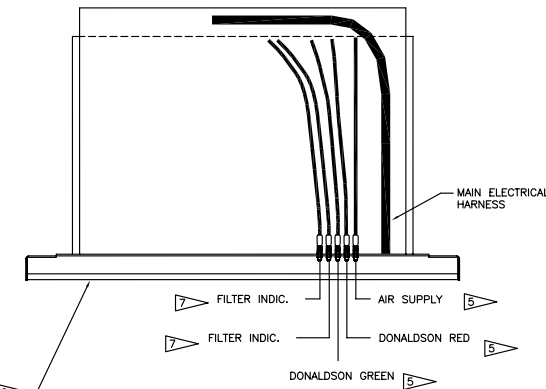
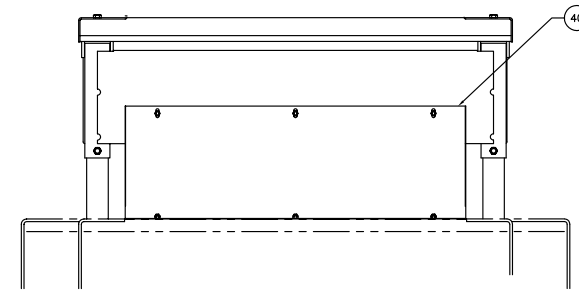
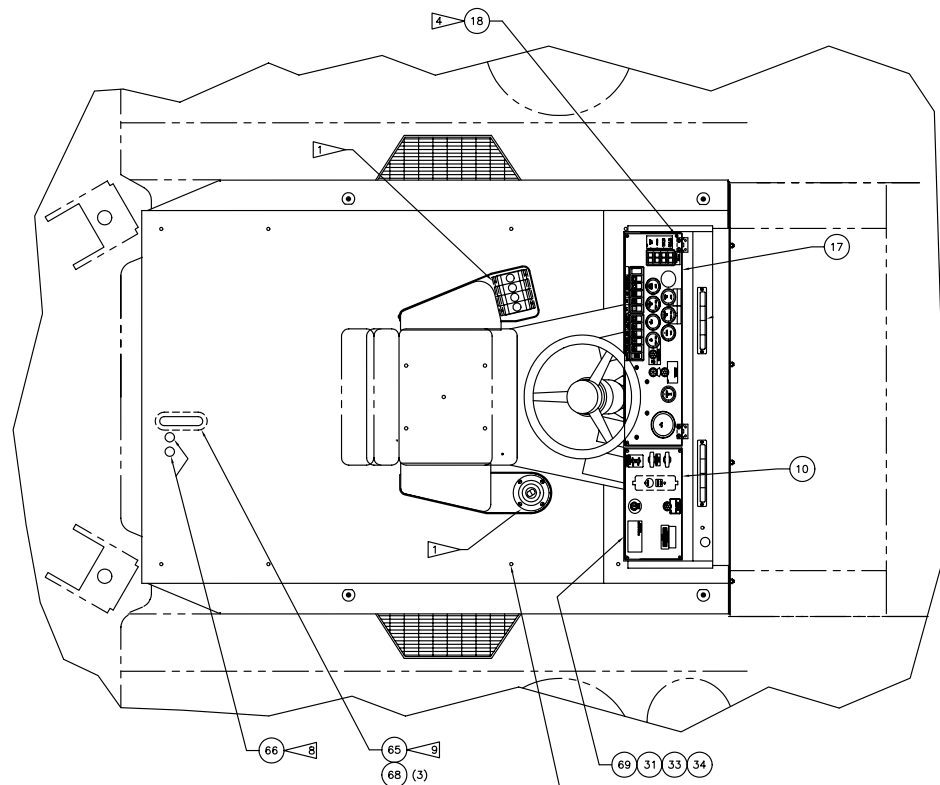


---

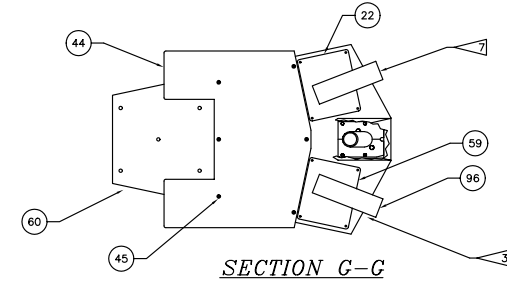
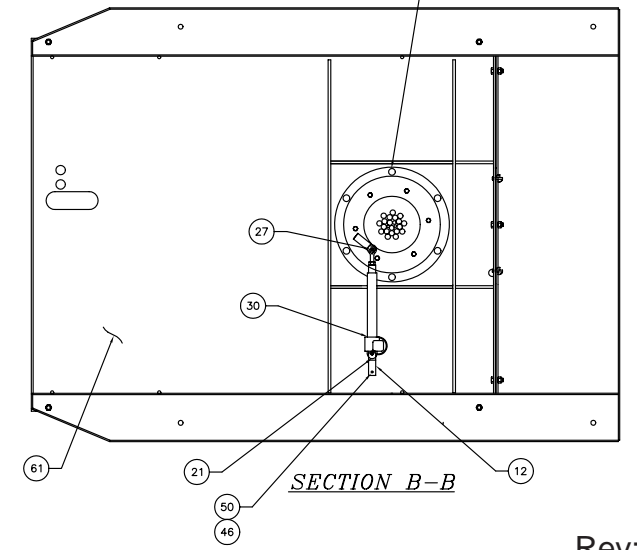
Cowl Assembly

## Cowl Assembly

Item	Part No.	Qty	Description	Item	Part No.	Qty	Description
	<b>580462</b>		<b>Cowl Assembly</b>				
1	240158	4	. Capscrew	50	201634	4	. Capscrew
2	521106	8	. Pad	51	222598	2	. Hard Washer
3	521125	4	. Spacer	52	* 236982	1	. Seat Assembly
4	224121	8	. Nut, Esna	53	* 231800	1	. Seat Suspension
5	230893	4	. Capscrew	54	208264	1	. Grommet
6	521124	4	. Pipe,Stand	55	215096	1	. Belt, Safety
7	222475	6	. Capscrew	56	00179866	4	. Capscrew
8	571495	4	. Bolt, Step	57	09428830	4	. Flat Washer
9	* 580598	1	. Electric Shift Controller	58	224119	4	. Nut, Esna
10	* 580322	1	. Dash Panel Assembly	59	578489	1	. Plate
11	572834	2	. Hanger	60	571436	1	. Seat, Pedestal
12	574208	1	. Bracket	61	572762	1	. Floor
13	230665	3	. Capscrew	62	200301	4'	. Molding
14	00181354	4	. Capscrew	63	570691	1	. Drip Pan
15	222441	8	. Nut, Esna	64	209917	1	. Fitting
16	* 580845	1	. Junction Box Assembly	65	572766	1	. Plate, Cover
17	* 580323	1	. Instrument Panel Assembly	66	R1933988	4	. Button Plate
18	223146	19	. Machine Screw	67	573019	2	. Plate, Cover
19	576039	1	. Superstructure	68	234495	7	. Capscrew
20	570343	1	. Cowl Weldment	69	573235	1	. Cover
21	201611	1	. Capscrew	70	00217219	14	. Capscrew
22	578008	1	. Plate, Pedal Mt	71	240259	1	. Kit, Seatbelt Hardware
23	244506	1	. Steering Wheel	72	574409	1	. Mounting Plate
24	231706	4	. Stud, Weld	73	240566	2	. Relay
25	230496	1	. Cap, Horn	74	219435	2'	. Wire
26	* 580594	1	. Terminal Panel Assembly	75	219410	2'	. Wire
27	234864	1	. Capscrew	76	219431	10'	. Wire
28	* 570581	1	. Floor Mat Installation	77	234757	6	. Capscrew
29	223688	6	. Capscrew	78	228351	10	. Terminal Ring
30	* 574276	1	. Linear Actuator, Rot. Platform	79	200247	6	. Terminal Ring
31	232969	4	. Capscrew	80	221179	3	. Terminal Ring
32	229186	2	. Capscrew	81	R13802619	6	. Flat Washer
33	00103338	4	. Flat Washer	82	223860	6	. Lockwasher
34	234063	4	. Hex Nut	83	574056	4	. Plate
35	577424	1	. Spacer	84	243304	2	. Bearing Cup
36	570391	8	. Washer, Sq	85	243305	2	. Bearing Cone
37	201569	8	. Flat Washer	87	201604	6	. Capscrew
38	570639	1	. Mounting Plate	88	240151	2	. O-Ring
39	234868	2	. Capscrew	89	576453	1	. Clevis
40	573443	1	. Guard	90	576444	1	. Tube
41	232182	1	. Knob, Spinner	91	576445	1	. Retainer, Bearing
42	224202	8	. Nut, Esna	92	* 577625	1	. Steering Column
43	00103339	2	. Flat Washer	93	580583	1	. Bracket
44	571684	1	. Plate, Cover	94	242377	4	. Capscrew
45	230668	6	. Capscrew	95	R13808536	2	. Capscrew
46	223654	14	. Nut, Esna	96	* 246923	1	. Pedal, Electronic Throttle
47	201602	2	. Capscrew				
48	567082	3	. Plate, Cover				* See Separate Coverage
49	231931	2	. Capscrew				



NOTE:  
FOR MODULATED TRANS. AND  
1ST & 2ND GEAR ONLY  
AFTER DECLUTCH.



- |   |                                    |  |
|---|------------------------------------|--|
| 1 SEE IMPLEMENT CONTROLS ON M/S                         | 5 SEE AIR SYSTEM-VEHICLE ON M/S    | 8 SEE HEATER INSTL. OPTION<br>PLUG HOLES IF NOT USED |
| 2 SEE HYD. SYSTEM STEERING ON M/S                       | 6 SEE COWL & CAB INSULATION ON M/S | 9 SEE A/C INSTL. OPTION<br>COVER IF NOT USED         |
| 3 SEE CONTROLS-VEHICLE ON M/S                           | 7 SEE HYD. SYS. BRAKES ON M/S      |  |
| 4 LOCATE PANEL IN PLACE, DRILL & TAP<br>(7) 1/4NC HOLES |                                    |  |