
Cowl Assembly

Cowl Assembly

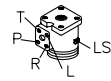
Item	Part No.	Qty	Description	Item	Part No.	Qty	Description
	580418		Cowl Assembly				
1	580516	1	. Cowl Weldment	43	578489	1	. Plate
2	* 580518	1	. Seat Assembly	44	578506	1	. Plate
3	* 580634	1	. Instrument Panel Assembly	45	243472	2	. Symbol, Switch
4	570864	1	. Mat, Floor	46	234736	2	. Switch, 24V
6	230282	6	. Flat Washer		234508	1	. . . Socket
7	578008	3	. Plate, Pedal Mount		236901	1	. . . Bulb
8	* 579408	1	. Steering Column	47	224119	4	. Nut, Esna
9	244506	1	. Steering Wheel	48	238259	4'	. Weatherstrip
10	237681	1	. Switch, Momentary	49	579509	1	. Wire Harness
11	234651	1	. Button, Horn	50	578516	1	. Sub-Panel Assembly, Plate
12	570639	1	. Mounting Plate	51	234264	1	. Control Unit
13	201634	2	. Capscrew	52	571461	1	. Decal
14	231931	2	. Capscrew	53	571430	1	. Decal
15	236502	2	. Pilot Lamp	54	225649	1	. Light, Reducer Panel
16	00181354	4	. Capscrew	55	* 580718	1	. Panel Assembly, Door
17	201570	4	. Spring Washer	56	241761	4	. End Stop
18	224222	4	. Vibration Dampener	57	234740	1	. Frame, Mounting
19	230096	4	. Capscrew	58	578963	1	. Wire Harness
20	214839	8	. Hard Washer	59	237495	1	. Symbol, Out-Of-Gear
21	223188	4	. Nut, Esna	60	234509	2	. Cover, Blank
22	236503	1	. Lens, Reducer	61	578964	1	. Wiring, Console
23	219517	1	. Connector, Cord	62	578966	1	. Decal
24	237346	1	. Lens, Yellow	63	R840286	2	. Louver
25	234495	8	. Capscrew	64	234868	2	. Capscrew
26	227374	2	. Connector, Cord	65	246923	1	. Pedal Assembly, Elec Throttle
27	226049	1	. Connector, Cord	66	242949	1	. Terminal, Fuse
28	560858	4	. Bar, Spacer	67	246924	1	. Fuse
29	230895	4	. Capscrew	68	* 245672	1	. Electric Shift Controller
30	09428830	4	. Flat Washer	69	578970	1	. Wire Harness
31	223645	8	. Nut, Esna	70	247975	1	. Receptacle
32	00103338	8	. Flat Washer	71	241827	4	. Machine Screw
33	236488	2	. Switch, On/Off/On	72	241831	4	. Nut, ESNA
34	22628	2MT	. Rail, Din	73	243476	1	. Cover, Dust
35	232969	4	. Capscrew	74	580120	1	. Decal
36	236924	87	. Terminal Block	75	578588	1	. Angle
37	236925	2	. End Plate	77	231750	8'	. Cord, SDN
38	236926	24	. Jumper, Horizontal	79	578965	1	. Wire Harness, Throttle
39	R10547	1	. Buzzer				
40	207155	1	. Switch, Ignition w/Keys				
41	575279	1	. Decal				
42	234739	1	. Dimmer Switch,17W				

* See Separate Coverage

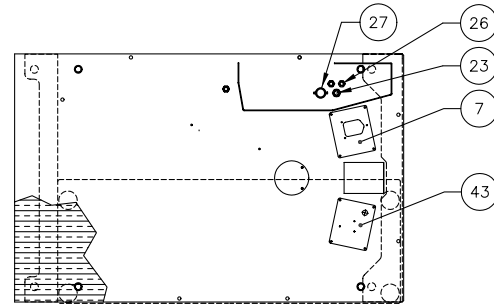
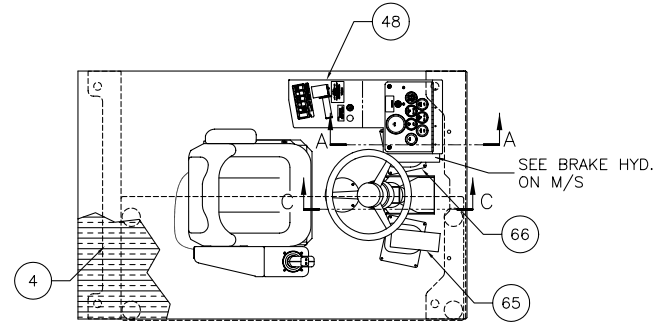
4 HOSE COLOR CODE CHART

VALVE PORT	HOSE COLOR CODE	ITEM NO.
P	YELLOW	69
T	BLUE	64
R	GREEN	69
L	GRAY	64
LS	—	71

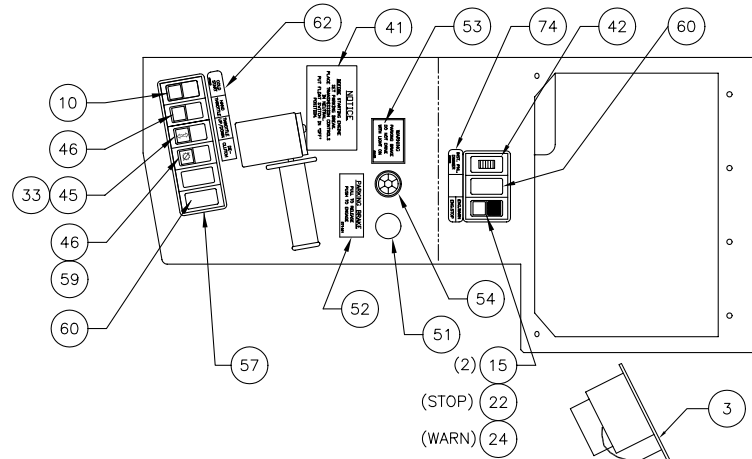
STEERING MODULE PORT LOCATIONS



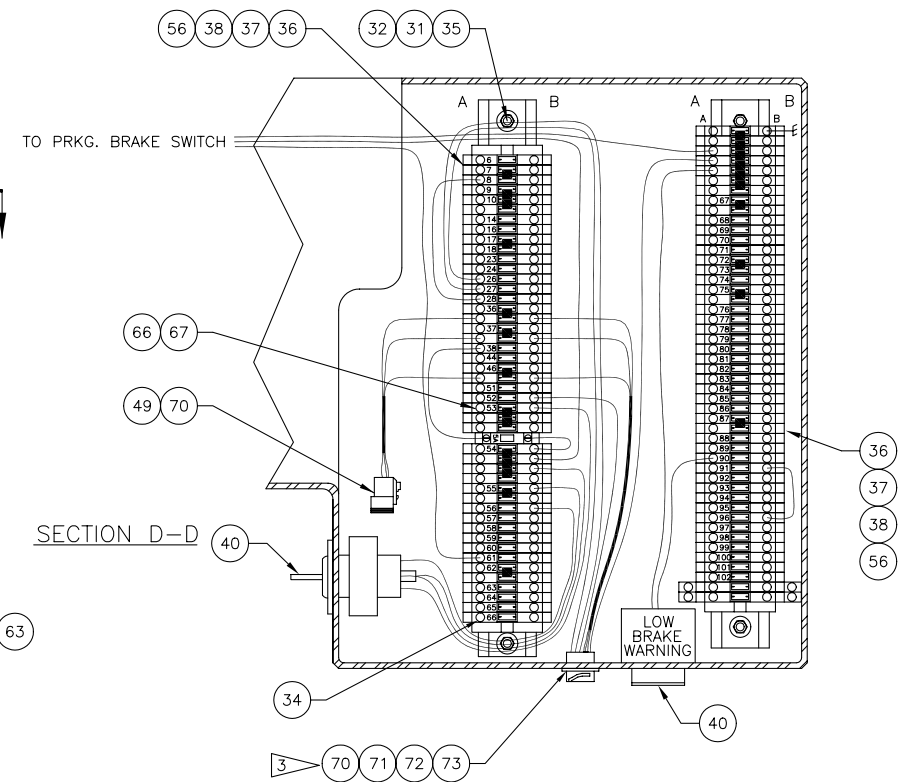
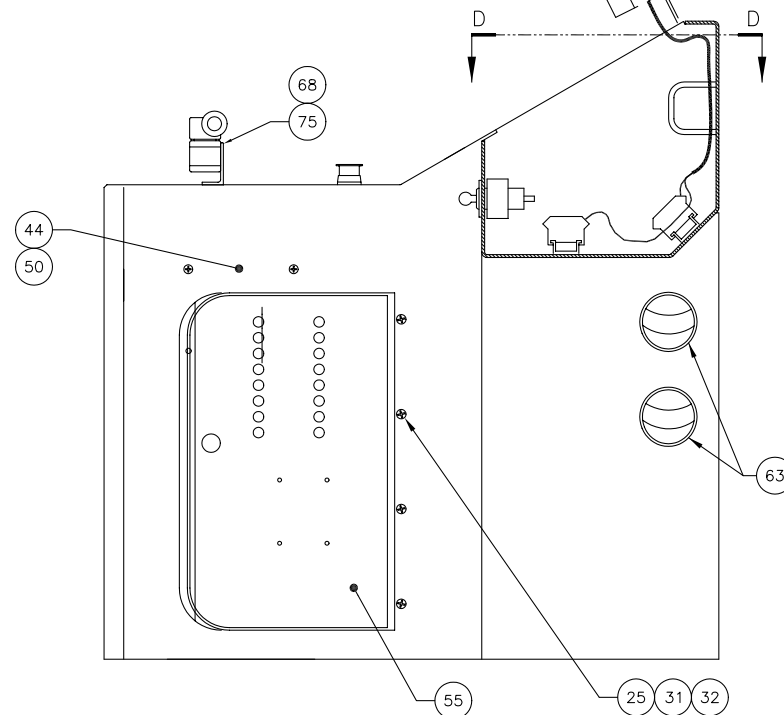
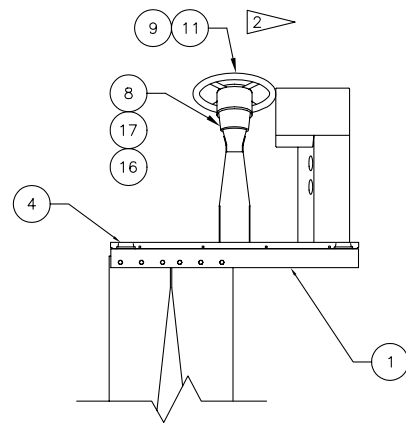
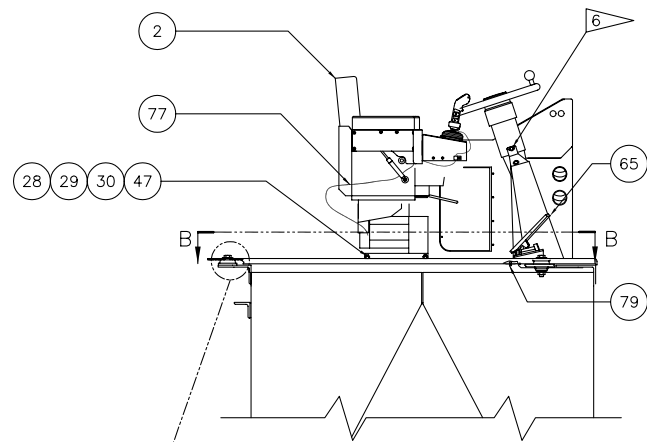
ROUTE FLAT AGAINST CAB BOTTOM OVER HINGE.



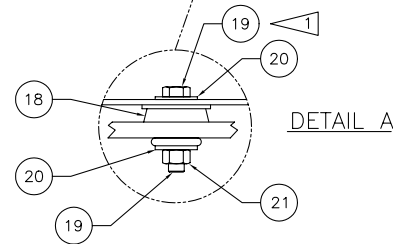
FLOOR PLATE SECTION B-B
CUTOUT DESIGNATIONS



CONSOLE SECTION A-A

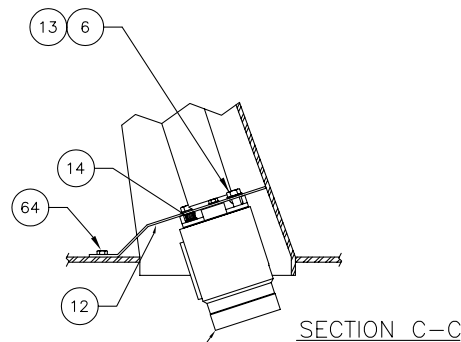


SECTION D-D



DETAIL A

- 1 TORQUE BOLTS TO 195 FT. LBS.
- 2 SEAL W/ SILICON SEALER



SECTION C-C

SEE HYD. SYSTEM STEERING ON M/S