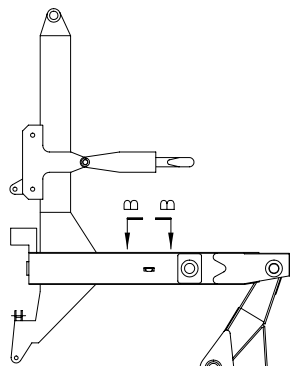
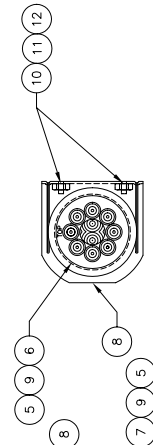
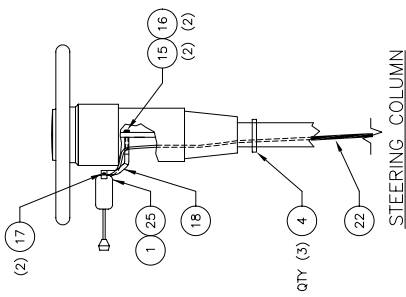

Turn Signal & Brake Light System



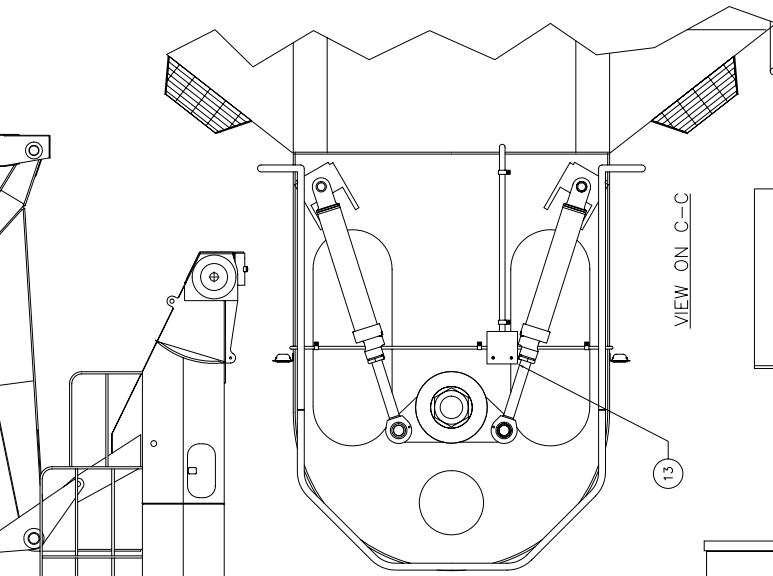
SECTION A-A



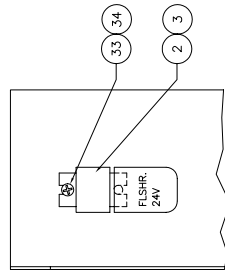
SECTION B-B



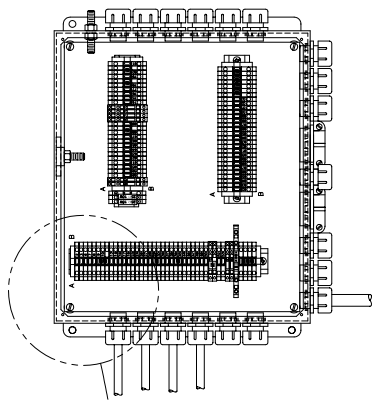
STEERING COLUMN



VIEW ON C-C

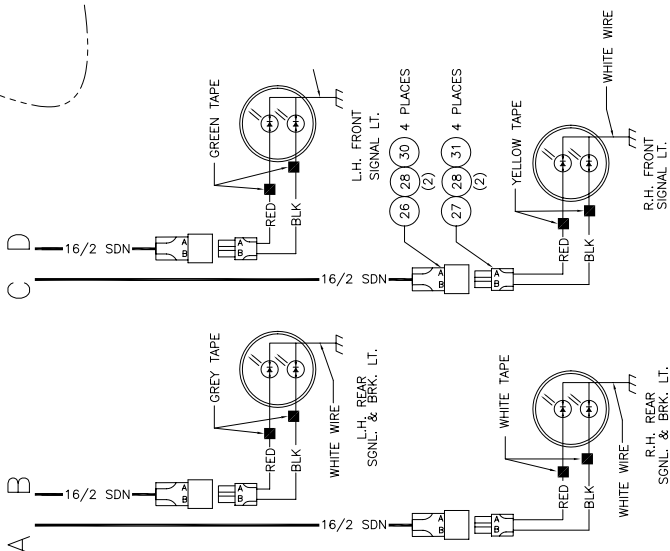
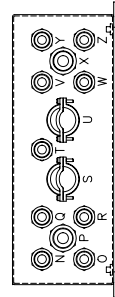


VIEW ON D-D



JUNCTION BOX
LEGEND

- LOC. DESCRIPTION
 A 16/2 SDN 40 FT**
 B 16/2 SDN 40 FT**
 C 16/2 SDN 25 FT**
 D 16/2 SDN 25 FT**
 N 245597 (T-SIGNAL HARNESS)
 ** PART OF 580697 JUNCTION BOX ASSY;



Turn Signal & Brake Light System

Item	Part No.	Qty	Description	Item	Part No.	Qty	Description
	580413		Turn Signal & Brake Light Sys				
1	245596	1	. Switch, T/Signal	19	245338	1	. Fuse Holder
2	217208	1	. Connector	20	R740781	1	. Fuse
3	245598	1	. Relay, Flasher	21	209578	6	. Clamp
4	213257	5	. Tie Strap	22	245597	1	. Wire Harness, T/Signal
5	249681	4	. Wire Harness, Lamp	23	571553	1	. Wire Harness
6	249678	2	. Lamp, Turn Signal	24	209589	2	. Clamp
7	249677	2	. Lamp, Turn Signal/Brake	25	245767	1	. Bulb, Pilot Lamp
8	249679	4	. Bracket, Lamp	26	R740886	4	. Connector, Wire
9	249680	4	. Grommet, Lamp	27	R740885	4	. Connector, Wire
10	221313	8	. Stud, Weld	28	R740867	16	. Seal, Wire
11	224209	8	. Nut, Esna	29	219390	4	. Loom, Auto
12	00172754	8	. Flat Washer	30	R740874	8	. Pin, Female
13	558368	1	. Cover Plate Installation	31	R740866	8	. Pin, Male
14	236924	5	. Terminal Block	32	220949	1	. Mount, Adhesive Back
15	00179797	2	. Capscrew	33	R13813167	1	. Machine Screw
16	00103339	2	. Flat Washer	34	238437	1	. Nut, Esna
17	222257	2	. Capscrew				
18	571256	1	. Bracket				

