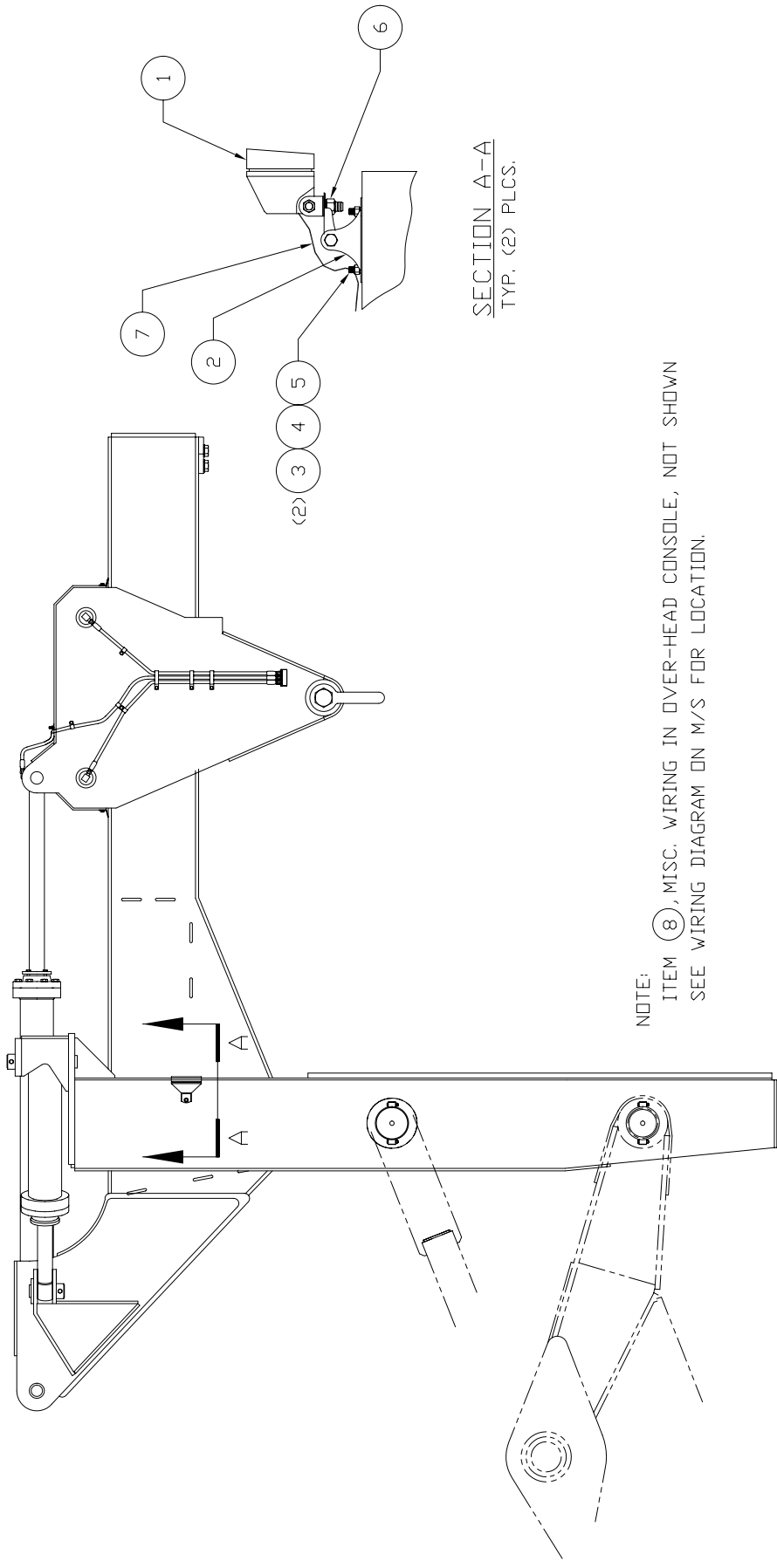

Auxillary Light Installation



SECTION A-A
TYP. (2) PLCS.

NOTE:
ITEM (8), MISC. WIRING IN OVER-HEAD CONSOLE, NOT SHOWN
SEE WIRING DIAGRAM ON M/S FOR LOCATION.

Auxillary Light Installation

Item	Part No.	Qty	Description	Item	Part No.	Qty	Description
	580409		Auxillary Light Installation				
1	R13659	2	. Light, Work	5	223654	4	. Nut, Esna
2	206327	2	. Bracket, Light	6	00103346	4	. Flat Washer
3	236572	4	. Stud, Weld	7	219431	6'	. Wire
4	223427	4	. Flat Washer	8	571635	1	. Wiring, Aux Lights