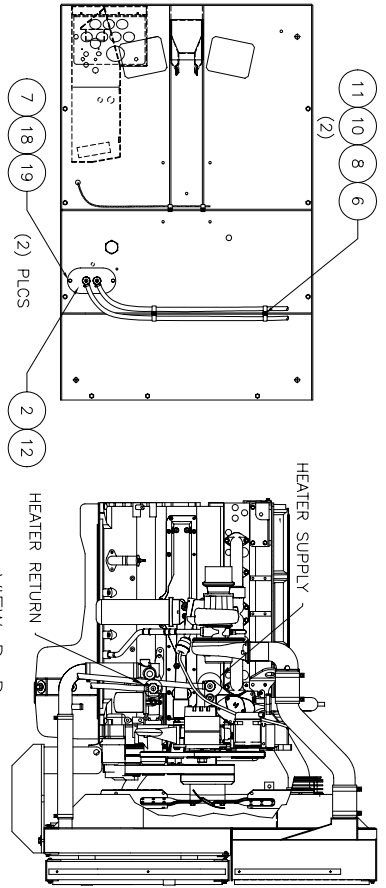


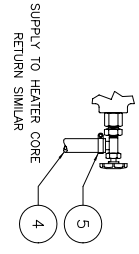
---

Heater Installation

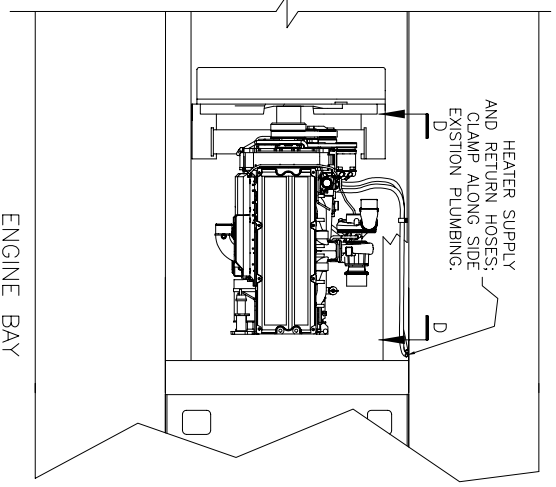


VIEW ON C-C COWL UNDERSIDE

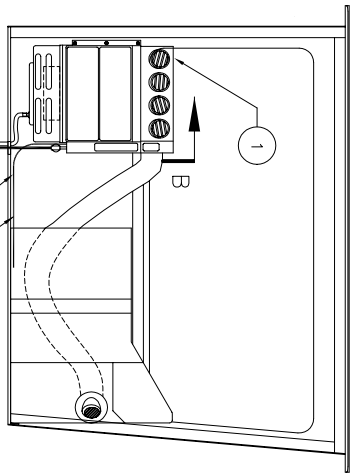
VIEW D-D ENGINE, LEFT SIDE



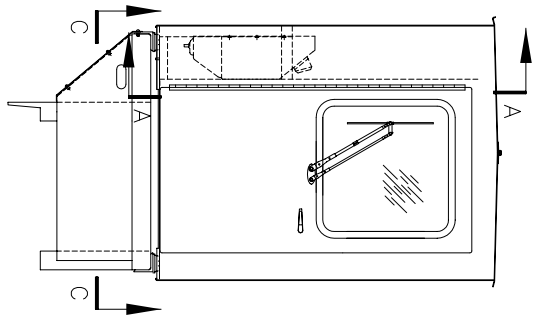
SUPPLY TO HEATER CORE RETURN SIMILAR



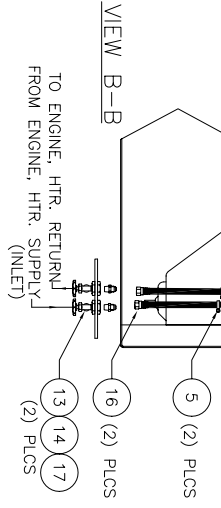
ENGINE BAY



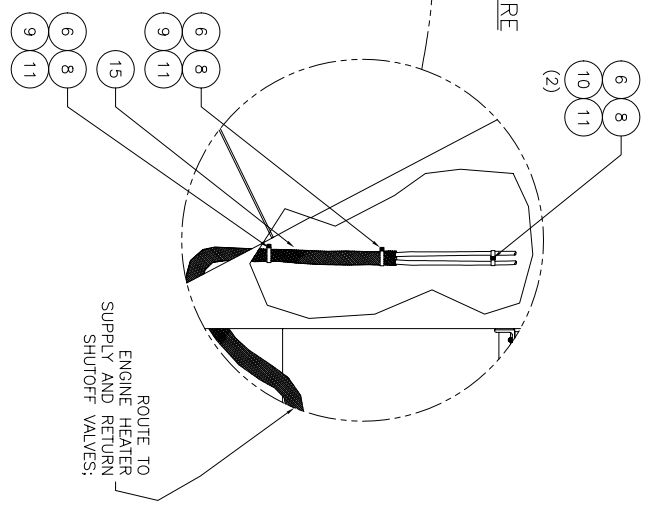
SECTION A-A



CAB - REAR VIEW



VIEW B-B



CAB/SUPERSTRUCTURE

ROUTE TO ENGINE HEATER SUPPLY AND RETURN SHUTOFF VALVES:

## Heater Installation

Item	Part No.	Qty	Description	Item	Part No.	Qty	Description
	<b>580408</b>		<b>Heater Installation</b>				
1	* 580435	1	. Heater	12	580879	1	. Bulkhead Plate
2	238385	1	. Gasket	13	241846	2	. Fitting
3	22371	8'	. Cord, So	14	203274	2	. Shutoff Valve
4	203190	28'	. Hose, Heater	15	R13846	10'	. Sleeve, Cordura
5	201431	6	. Hose Clamp	16	209572	2	. Fitting
6	223654	5	. Nut	17	209634	2	. Fitting
7	223427	2	. Washer	18	201604	2	. Capscrew
8	222297	5	. Stud	19	234135	2	. Washer
9	209700	2	. Clamp				
10	209589	6	. Clamp				
11	230282	5	. Washer				
							* See Seperate Coverage