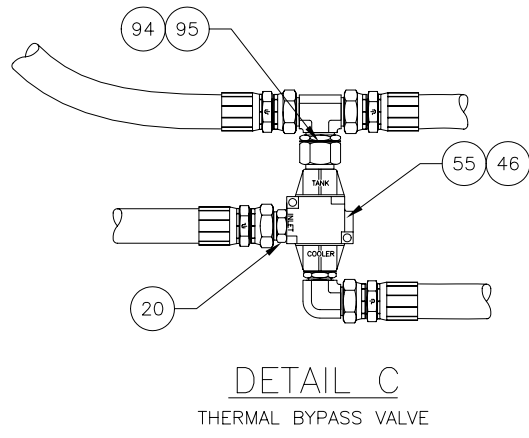
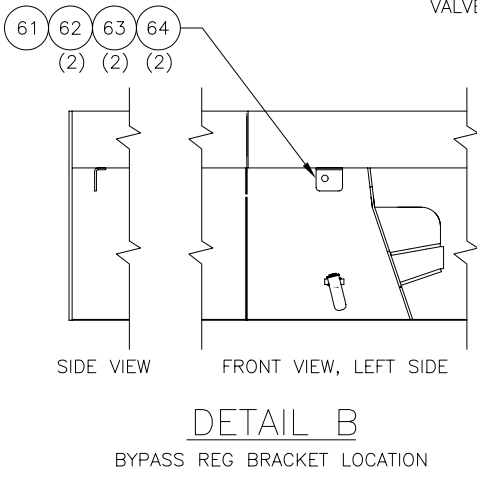
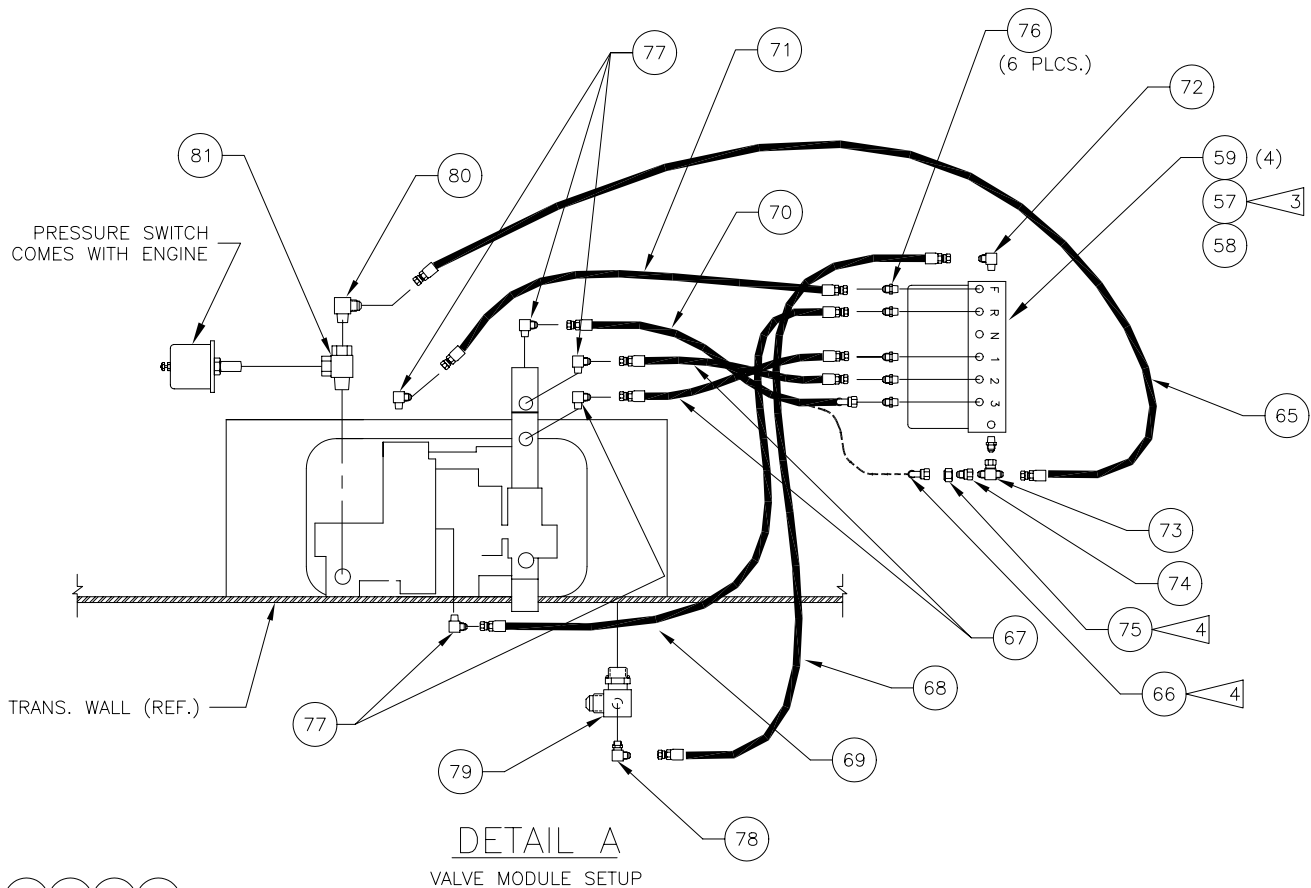
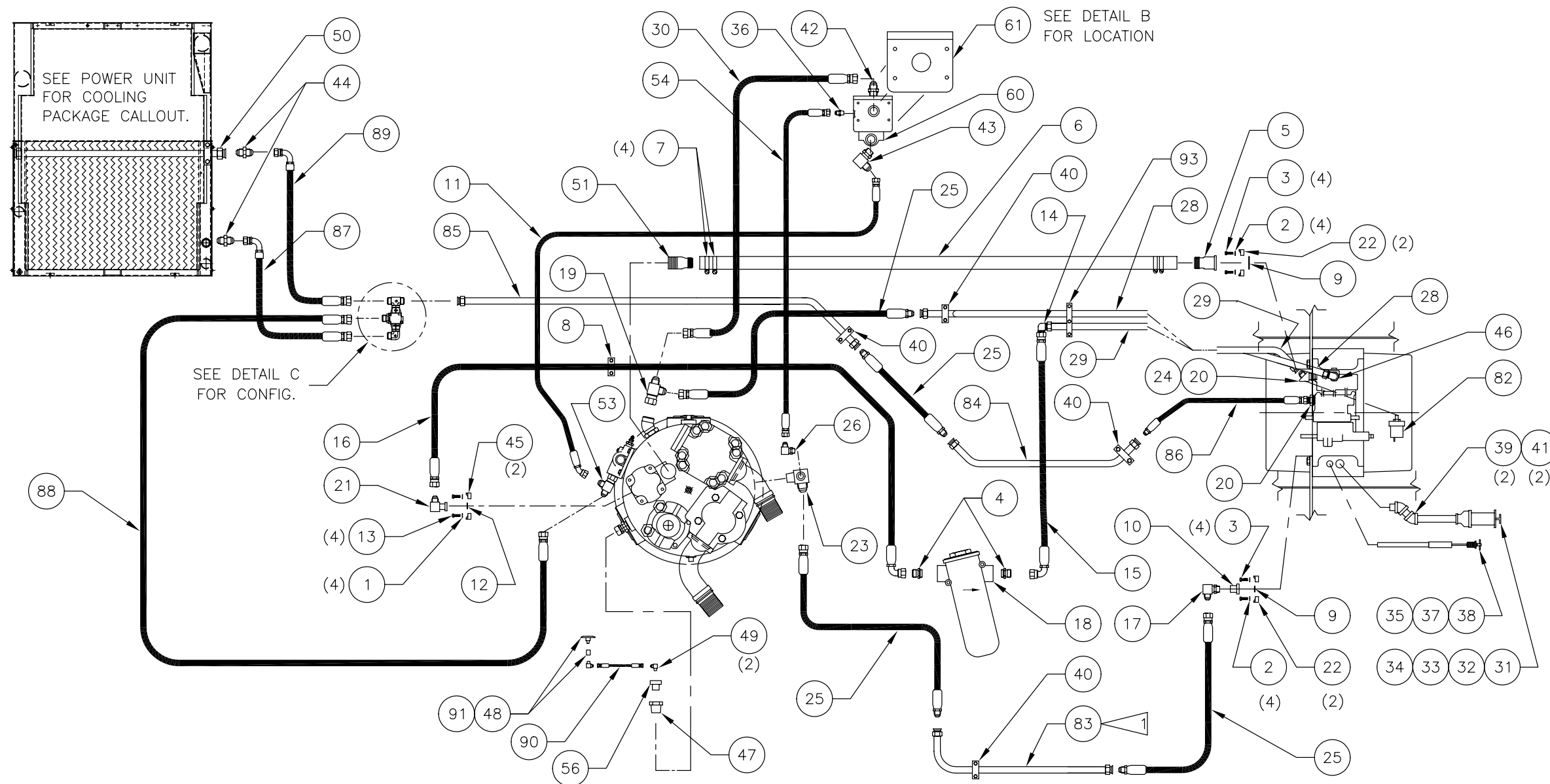
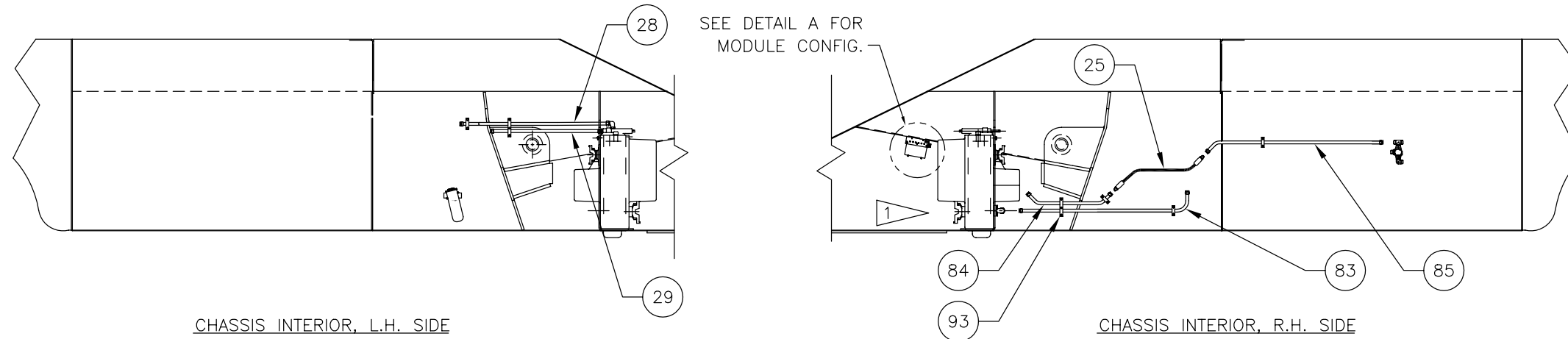

Hydraulic System - Transmission



- 3 SEE ANSI ELECTRICAL DIAGRAM FOR WIRE CONNECTIONS.
- 4 PLUMB AS SHOWN FOR STANDARD 4 SPEED RANGE.
CAP PORT #3 AND PLUMB TO PRESSURE
FOR OPTIONAL FOURTH GEAR LOCK OUT.

Hydraulic System - Transmission

Item	Part No.	Qty	Description	Item	Part No.	Qty	Description
	580402		Hydraulic Sys - Transmission				
1	201567	4	. Washer	49	209411	3	. Fitting
2	200604	8	. Washer	50	580441	1	. Tube Assembly
3	222379	8	. Capscrew	51	230466	1	. Fitting
4	214128	2	. Fitting	53	214129	1	. Fitting
5	234007	1	. Fitting	54	250120	1	. Hose Assembly
6	201439	6'	. Suction Hose	55	246928	1	. Valve, Bypass
7	206289	4	. Hose Clamp	56	240734	1	. Check Valve
8	225259	1	. Clamp	57	* 578293	1	. Valve, Module
9	203516	2	. O-Ring	58	567040	1	. Bracket, Solenoid
10	506618	1	. Flange	59	232054	4	. Capscrew
11	250126	1	. Hose Assembly	60	228640	1	. Converter, Bypass Reg
12	203443	1	. O-Ring	61	562751	1	. Bracket
13	202201	4	. Capscrew	62	R13811077	2	. Capscrew
14	216027	1	. Fitting	63	201569	2	. Washer
15	239925	1	. Hose Assembly	64	224202	2	. Nut
16	250124	1	. Hose Assembly	66	250127	1	. Hose Assembly
17	566627	1	. Fitting	67	208945	2	. Hose Assembly
18	* 248993	1	. Filter, Transmission	68	241254	1	. Hose Assembly
19	214130	1	. Fitting	69	237207	1	. Hose Assembly
20	210011	3	. Fitting	70	217318	1	. Hose Assembly
21	28574	1	. Fitting	71	208465	1	. Hose Assembly
22	209537	4	. Clamp Half	73	23578	1	. Fitting
23	562311	1	. Fitting	74	11906	1	. Fitting
24	576046	1	. Fitting	75	212097	1	. Fitting
25	241019	4	. Hose Assembly	76	209750	6	. Fitting
26	11860	1	. Fitting	77	209405	5	. Fitting
28	571846	1	. Tube Assembly	78	224298	1	. Fitting
29	571847	1	. Tube Assembly	79	524080	1	. Fitting
30	250125	1	. Hose Assembly	80	209409	1	. Fitting
31	208202	1	. Fuel Cap	81	225105	1	. Fitting
32	521873	1	. Pipe	82	242496	1	. Oil Press Sender
33	00454045	1	. Coupling, Reducer	83	580791	1	. Tube Assembly
34	225024	1	. Nipple, Pipe	84	580790	1	. Tube Assembly
35	572096	1	. Dipstick Assembly	85	580789	1	. Tube Assembly
36	209754	1	. Fitting	86	241014	1	. Hose Assembly
37	229257	1	. Fitting	87	250121	1	. Hose Assembly
38	563665	1	. Nipple, Pipe	88	250122	1	. Hose Assembly
39	00119096	2	. Elbow, Pipe	89	250123	1	. Hose Assembly
40	559208	4	. Clamp	90	250128	1	. Hose Assembly
41	00127874	2	. Nipple, Pipe	91	R13803988	1	. Fitting
42	209619	1	. Fitting	93	566721	2	. Pipe Clamp Assembly
43	209714	1	. Fitting	94	215081	1	. Fitting
44	209443	2	. Fitting	95	247605	1	. Fitting
45	209535	2	. Clamp Half				
46	221140	2	. Fitting				* See Separate Coverage
47	209510	1	. Fitting				
48	240733	1	. Breather, Air				



FOR UNITS USING STD. HOSE WITH CUMMINS NTA 855 335C ENGINE, CLARK 5000 TRANSMISSION, & 8000 CONVERTER WITH OUT LOCK UP.

- 1 ▽ CONVERTER DRAIN LINE MUST BE ATTACHED TO THE LOWEST CONVERTER DRAIN PORT AND HAVE A CONTINUING SLOPE TO THE TRANSMISSION.
- 2 ▽ LOCATION FOR TRANSMISSION TEMPERATURE SENDER OPTIONAL "AID SYSTEM"; SEE M/S