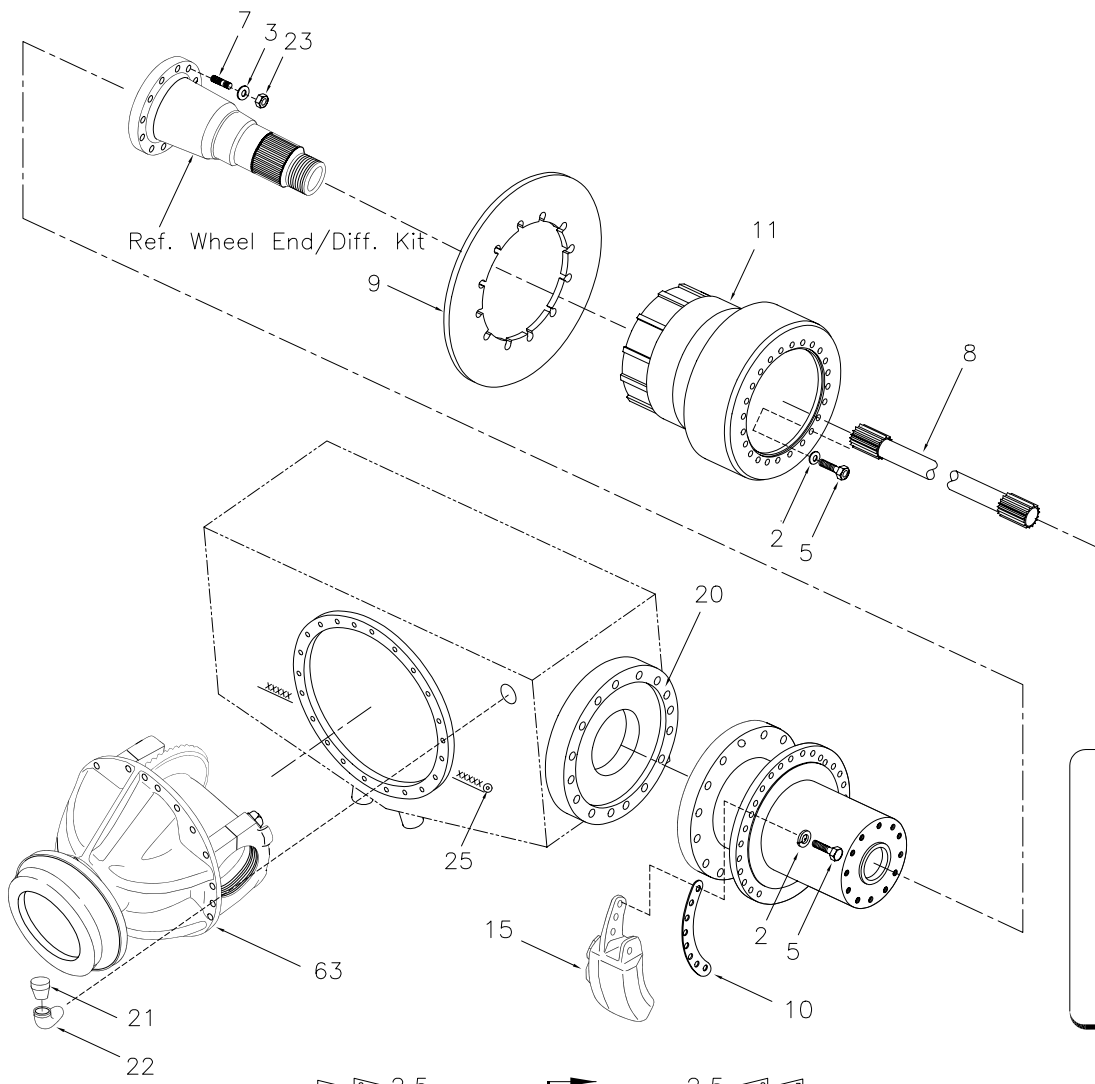
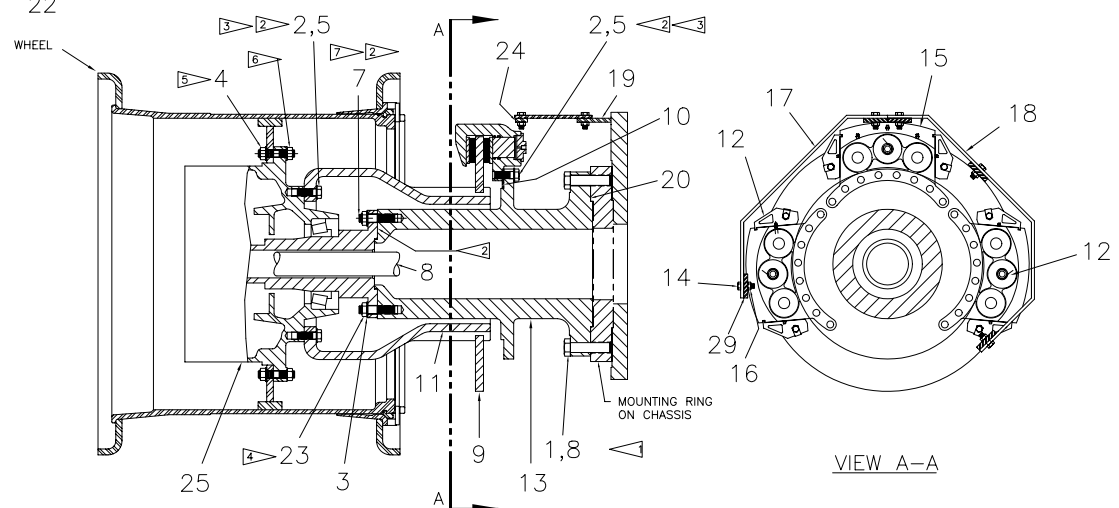

Axle Installation



- | | |
|---|-----------------------------|
| 1 | TORQUE TO 1200 - 1230 FT-LB |
| 2 | USE LOCTITE 277 |
| 3 | TORQUE TO 475 - 500 LB-FT |
| 4 | TORQUE TO 682 - 750 LB-FT |
| 5 | TORQUE TO 500 LB-FT |
| 6 | TORQUE TO 300 LB-FT |
| 7 | TORQUE TO 200 - 230 LB-FT |



VIEW A-A

Axle Installation

Item	Part No.	Qty	Description	Item	Part No.	Qty	Description
	580363		Axle Installation				
1	00223911	32	. Capscrew	16	224202	14	. Nut, Esna
2	204882	96	. Washer	17	574040	2	. Plate, LH Guard
3	248620	24	. Hard Washer	18	574051	2	. Plate, RH Guard
4	217768	68	. Hex Nut	19	563511	8	. Bracket
5	218760	96	. Capscrew	20	236308	A/R	. Silicone, RTV
6	* 580699	1	. Wheel End and Differential Kit	21	200268	1	. Breather
7	219246	24	. Stud	22	227807	1	. Fitting
8	547338	2	. Axle Shaft	23	223433	24	. Nut, Esna
9	544408	2	. Plate, Disc Brake	24	574065	2	. Bracket
10	545267	2	. Shim	25	201319	1	. Plate, Magnetic
11	545335	2	. Driver, Disc Brake	28	225851	32	. Hard Washer
12	* 570733	4	. Disc Brake Caliper Assembly	29	579678	2	. Bar
13	574001	2	. Axle Extension				
14	201635	14	. Capscrew				* See Separate Coverage
15	* 569926	2	. Disc Brake Caliper Assembly	A/R	As Required		