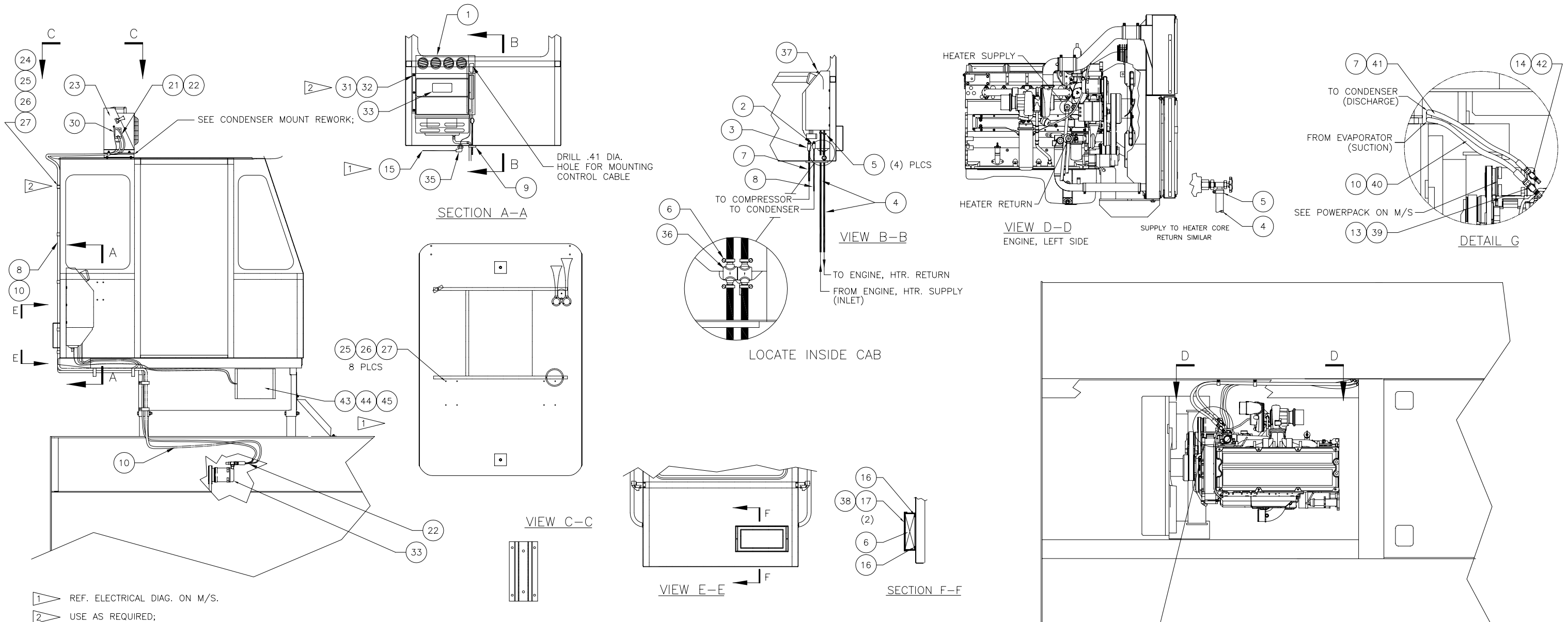

Air Conditioner / Heater Installation

Air Conditioner / Heater Installation

Item	Part No.	Qty	Description	Item	Part No.	Qty	Description
	580313		Air Cond / Heater Installation				
1	* 238382	1	. Air Conditioner / Heater	23	* 240063	1	. Condenser, Remote
2	238543	1	. Hose End	24	209700	8	. Clamp
3	238542	1	. Hose End	25	223654	25	. Nut
4	203190	32'	. Hose, Heater	26	223427	29	. Washer
5	201431	7	. Hose Clamp	27	222297	20	. Stud
6	202947	1	. Hose Clamp	30	222403	27'	. Cord, So
7	246859	21'	. Hose, Air Cond	31	241059	2	. Insert
8	246857	24'	. Hose, Air Cond	32	204389	8	. Seal
9	238385	1	. Gasket	33	572532	2	. Decal
10	246858	12'	. Hose, Air Cond	35	237557	1	. Connector, Cord
11	238550	1	. Hose End	36	239024	1	. Valve, Water
	R10664	1	. . O-Ring	37	215360	1	. Cable, Quick Start
12	238549	1	. Hose End	38	580500	1	. Platecover
	R10663	1	. . O-Ring	39	R10664	1	. O-Ring
13	R10572	1	. Fitting	40	246860	1	. Hose End
14	R10571	1	. Fitting	41	246861	1	. Hose End
15	208788	15'	. Cord, So	42	R10663	1	. O-Ring
16	231114	44"	. Weatherstrip	43	232908	1	. Relay
17	R13811035	4	. Capscrew	44	232909	1	. Relay Socket
18	00179799	2	. Capscrew	45	232910	1	. Relay Spring
21	238537	3	. Hose End				
22	238538	1	. Hose End				

* See Separate Coverage



1 REF. ELECTRICAL DIAG. ON M/S.
 2 USE AS REQUIRED;

NOTE: INSTL. FOR CUMMINS QSX15
 SYSTEM DESIGNED FOR REFRIGERANT 134A
 USE REFRIGERANT OIL, P/N 238728,
 FOR TOPPING OFF COMPRESSOR & HOSE ASSY.

NOTE: INSTL. FOR CUMMINS QSX15
 SYSTEM DESIGNED FOR REFRIGERANT 134A
 USE REFRIGERANT OIL, P/N 238728,
 FOR TOPPING OFF COMPRESSOR & HOSE ASSY.

SEE DETAIL G