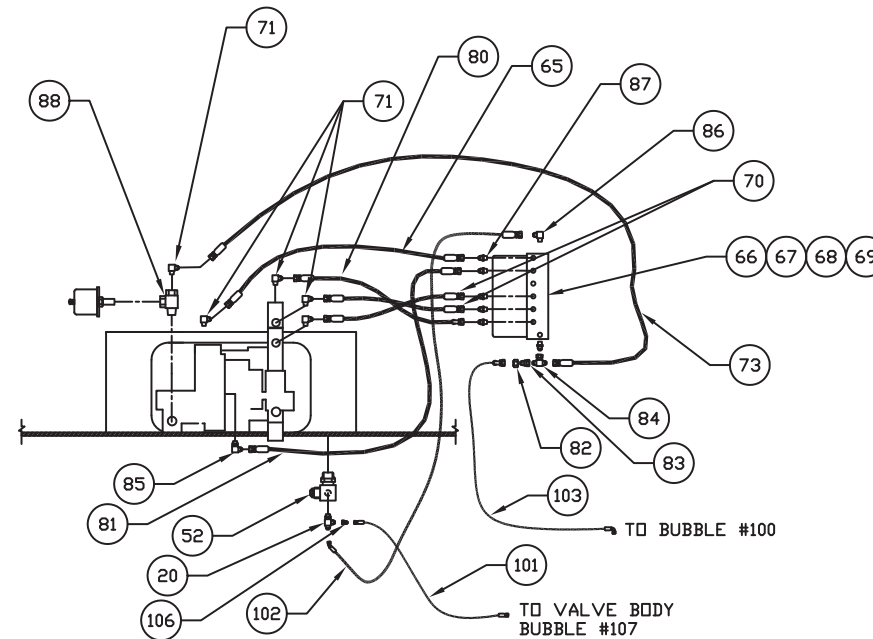
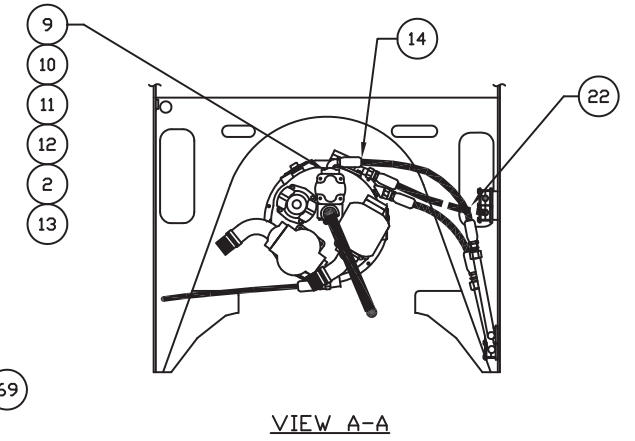
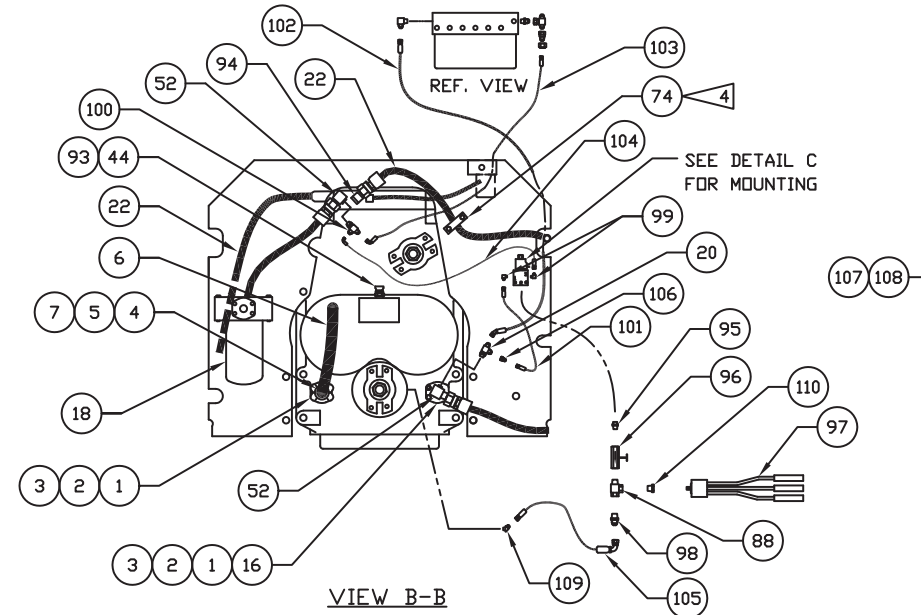
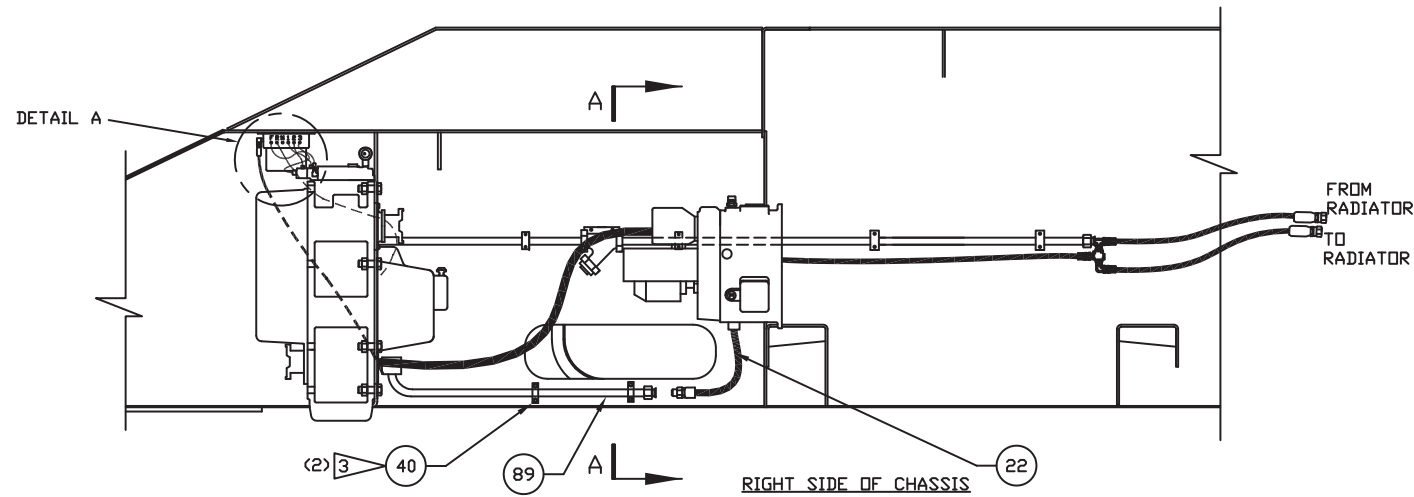
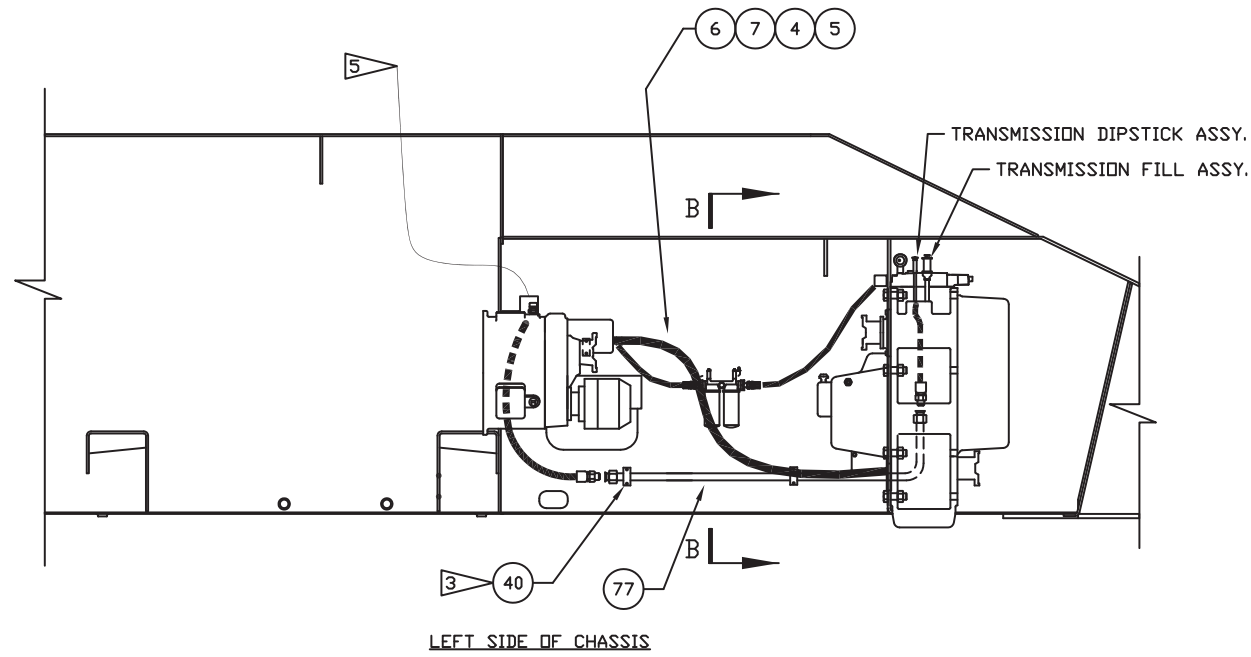

Transmission Circuit

Transmission Circuit

Item	Part No.	Qty	Description	Item	Part No.	Qty	Description
	580305		Transmission Circuit				
1	209538	4	. Clamp Half	59	209191	2	. Fitting
2	200604	20	. Lockwasher	60	14248	2	. Fitting
3	18588W	16	. Hose Assembly	61	209537	4	. Clamp Half
4	203519	2	. O-Ring	65	208466	1	. Hose Assembly
5	218815	2	. Fitting	66	22635	4	. Diode
6	201439	5'	. Suction Hose	67	232054	4	. Capscrew
7	206289	4	. Hose Clamp	68	* 578293	1	. Module , Valve
8	240822	1	. Kit, Breather	69	567040	1	. Bracket, Solenoid
9	203516	3	. O-Ring	70	12749	2	. Hose Assembly
10	504777	1	. Tube,Spacer	71	209409	5	. Fitting
11	504778	1	. Flange,Split	72	229675	1	. Hose Assembly
12	203446	1	. O-Ring	73	20790	1	. Hose Assembly
13	224454	4	. Capscrew	74	230865	1	. Clamp
14	241061	1	. Hose Assembly	75	249575	1	. Switch, Pressure
15	580441	1	. Tube Assembly	77	580547	1	. Tube Assembly
16	513759	1	. Flange	79	250831	1	. Valve, Bypass
17	584259	1	. Filter Assembly	80	237815	1	. Hose Assembly
18	247429	2	. Element	81	14461	1	. Hose Assembly
20	211551	1	. Fitting	82	212097	1	. Fitting
21	221140	2	. Fitting	83	11906	1	. Fitting
22	241016	5	. Hose Assembly	84	23578	1	. Fitting
23	210011	1	. Fitting	85	209405	5	. Fitting
24	225102	1	. Fitting	86	209411	1	. Fitting
25	209535	2	. Clamp Half	87	209750	6	. Fitting
26	202201	4	. Capscrew	88	225105	2	. Fitting
27	201567	4	. Lockwasher	89	580442	1	. Tube Assembly
28	203443	1	. O-Ring	90	562751	1	. Bracket
31	208202	1	. Fuel Cap	91	228640	1	. Converter, Bypass Reg
32	521873	1	. Pipe	92	249448	1	. Hose Assembly
33	00454045	1	. Coupling, Reducer	93	R238535	1	. Breather
34	229506	1	. Fitting	94	209167	4	. Fitting
35	563666	1	. Dipstick Assembly	95	15503	1	. Fitting
36	214129	1	. Fitting	96	17730	1	. Flow Control Valve
37	229257	1	. Fitting	97	239723	1	. Switch, Pressure
38	563665	1	. Nipple, Pipe	98	209752	1	. Fitting
39	240791	2	. Hose Assembly	99	R13801972	2	. Fitting
40	224347	9	. Clamp	100	R14293	1	. Fitting
41	249451	1	. Hose Assembly	101	R1905864	1	. Hose Assembly
42	245587	2	. Hose Assembly	102	249940	1	. Hose Assembly
43	227799	1	. Fitting	103	249941	1	. Hose Assembly
44	209505	1	. Fitting	104	249942	1	. Hose Assembly
45	250476	1	. Hose Assembly	105	249943	1	. Hose Assembly
46	232994	1	. Strainer, Oil	106	226904	1	. Fitting
48	581438	1	. Tube Assembly	107	243190	1	. Valve Body
51	224298	1	. Fitting	108	240976	1	. Cartridge, Valve
52	566627	2	. Fitting		240975	1	. . Coil
53	581245	2	. Tube Assembly		240977	1	. . Seal Kit
54	209443	2	. Fitting	109	209791	1	. Fitting
55	11860	1	. Fitting	110	209500	1	. Fitting
56	209754	1	. Fitting				
57	209619	1	. Fitting				
58	214130	2	. Fitting				

* See Separate Coverage



- 1 TO OIL COOLER INLET. SEE M/S, POWER UNIT FOR CONTINUATION.
- 2 TO OIL COOLER OUTLET. SEE M/S, POWER UNIT FOR CONTINUATION.
- 3 POSITION AS NEEDED
- 5 ROUTE WIRE TO JUNCTION BOX, SEE DETAIL B FOR GAUGE INSTALLATION

7 PLUMB AS SHOWN FOR STANDARD 4 SPEED RANGE. CAP PORT #3 AND PLUMB TO PRESSURE FOR OPTIONAL FOURTH GEAR LOCK OUT.

NOTE: SEE ANSI ELECTRIC DIAGRAM FOR WIRING

4 LOCATE CLAMP AS NECESSARY

NOTE: SOME ELEC. SHIFT HOSES OMITTED FOR CLARITY

