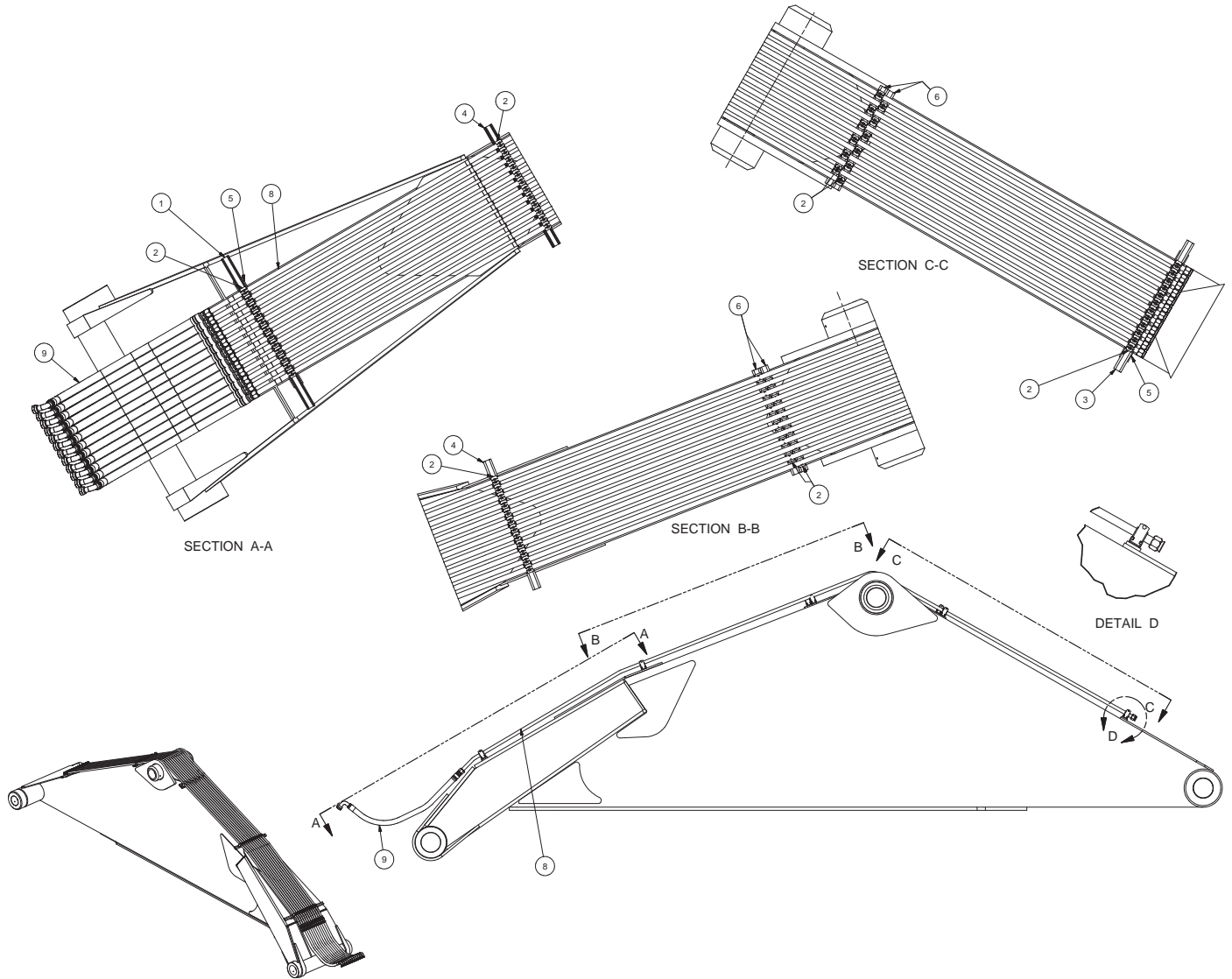


Hydraulic System - Boom



| Item | Part No. | Qty | Description | Item | Part No. | Qty | Description |
|------|----------------|-----|--------------------------------|------|-----------|-----|------------------------|
| | 580233 | | Hydraulic System - Boom | | | | |
| 1 | 580955 | 1 | . Channel | 6 | 572771 | 4 | . Channel |
| 2 | 231250 | 60 | . Clamp | 8 | 574686 | 12 | . Tube Assembly |
| 3 | 580952 | 1 | . Channel | 9 | *a 234501 | 12 | . Hose Assembly |
| 4 | 572773 | 1 | . Channel | | | | |
| 5 | YMHA 038-24.00 | 2 | . Bar | | | | |
| | | | | | *a | | Included in KIT 587625 |