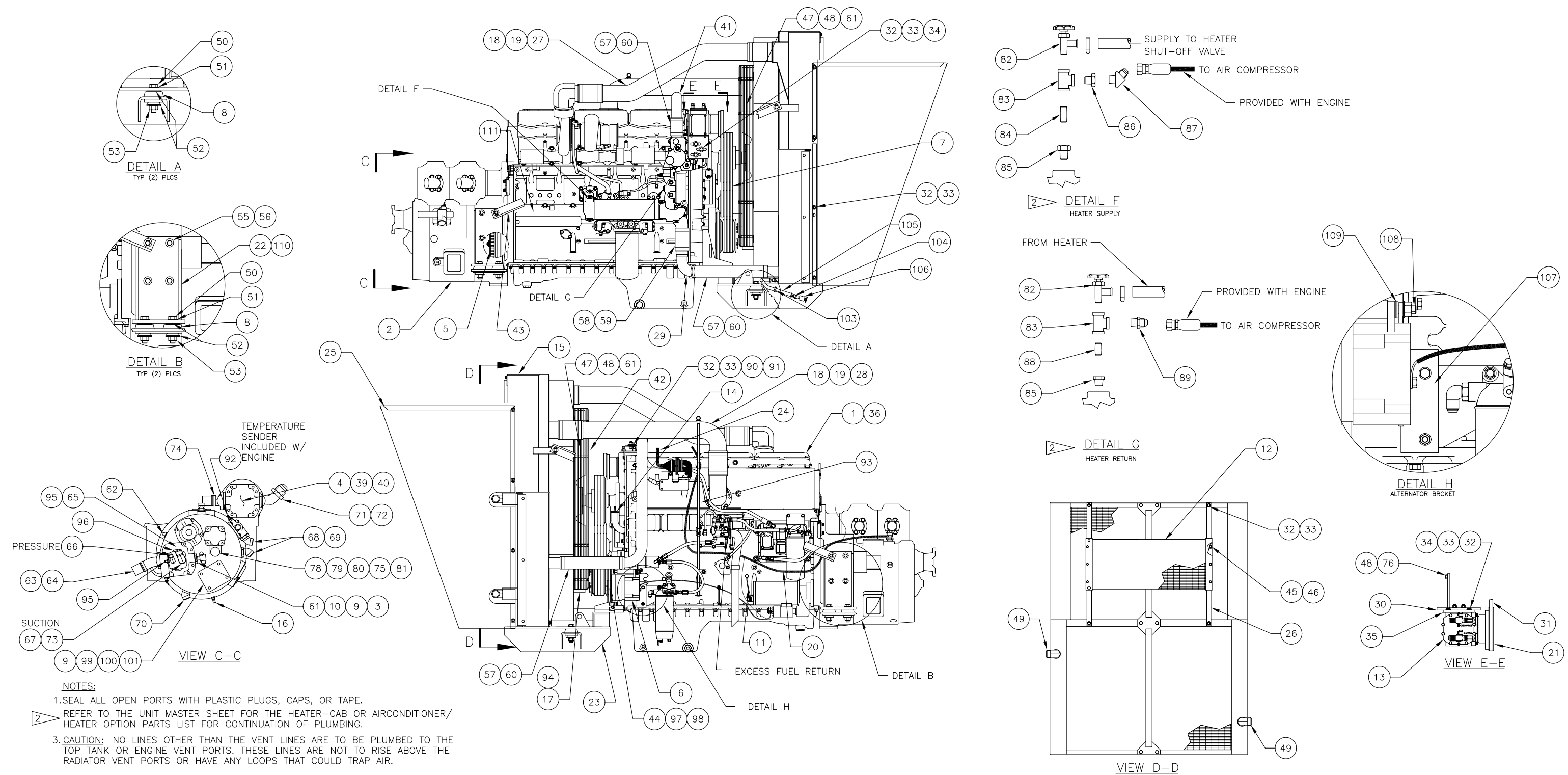


Power Unit

Power Unit

Item	Part No.	Qty	Description	Item	Part No.	Qty	Description
	580228		Power Unit				
1	* 249516	1	. Engine, Caterpillar C15 Elec.	59	225370	2	. T-Bolt Clamp
2	* 239794	1	. Converter	60	225369	6	. T-Bolt Clamp
3	* 245520	1	. Hydraulic Pump	61	201635	8	. Capscrew
4	* 245519	1	. Hydraulic Pump, Tandem	62	222151	1	. Fitting
5	570775	1	. Ring Gear Assembly	63	23390	3	. Kit, Split Flange
	237315	96	. . Washer, Bellville		200604	4	. . Lockwasher
	237316	24	. . Nut		201621	4	. . Capscrew
	570735	1	. . Ring Gear		203523	1	. . O-Ring
	570776	24	. . Stud		209539	2	. . Clamp Half
6	* 234183	1	. Alternator	64	211693	1	. Fitting
7	225544	3	. V-Belt, Fan Drive	65	209805	1	. Fitting
8	234497	6	. Vibration Dampener	66	240874	1	. Fitting
9	505499	2	. Gasket	67	221140	1	. Fitting
10	539968	1	. Sleeve, Pump	68	209167	2	. Fitting
11	529449	1	. Wire Assembly, Ground	69	217657	2	. Fitting
12	239100	1	. Condenser	70	209420	1	. Fitting
13	239826	1	. Compressor	71	14857	2	. Fitting
14	* 576920	1	. Oil Fill Installation	72	11767	2	. Kit, Split Flange
15	* 246855	1	. Radiator/Oil Cooler/After Cooler		200604	4	. . Lockwasher
16	580023	1	. Speed Sensor Assembly		209537	2	. . Clamp Half
17	246987	1	. Fan		222379	4	. . Capscrew
18	243488	4	. Connector	73	229639	1	. Fitting
19	243489	8	. Clamp	74	243589	2	. Fitting
20	579871	1	. Wire Harness, ECM	75	223909	4	. Lockwasher
21	239979	1	. Bracket, Adapter	78	203528	1	. O-Ring
22	576711	1	. Mounting Weldment, Engine	79	223794	1	. Fitting
23	576717	1	. Engine Mt	80	221186	1	. Fitting
24	576723	1	. Wire Harness, Engine	81	230596	4	. Capscrew
25	580501	1	. Air Scoop	82	237008	2	. Shutoff Valve
26	580272	2	. Bracket	83	223168	2	. Fitting
27	576753	1	. Tube	84	00140807	1	. Nipple, Pipe
28	576754	1	. Tube	85	209506	2	. Fitting
29	576757	1	. Elbow, Reducer	86	209504	1	. Fitting
30	576780	1	. Bracket, A/C	87	22390	1	. Fitting
31	234899	1	. V-Belt	88	00121208	1	. Nipple, Pipe
32	R13803889	20	. Capscrew	89	210732	1	. Fitting
33	00103341	20	. Flat Washer	90	R14589	1	. Bracket
34	R13812514	7	. Lockwasher	91	223654	1	. Nut, Esna
35	576781	1	. Plate	92	243553	1	. Fitting
36	580428	1	. Engine Configuration	93	* 576917	1	. Dipstick & Hsg Installation
39	203541	1	. O-Ring	94	244427	1	. Spacer, Fan
40	234548	2	. Capscrew	95	23577	1	. Fitting
41	580052	1	. Tube, Upper Rad	96	* 248990	1	. Pump
42	576800	1	. Angle	97	243714	1	. Bushing
43	576801	1	. Angle	98	243743	1	. Pulley
44	230866	1	. V-Belt	99	212492	1	. Cover
45	223428	6	. Flat Washer	100	201615	4	. Capscrew
46	224117	6	. Nut, Esna	101	201568	4	. Lockwasher
47	224202	2	. Nut, Esna	103	209579	1	. Clamp
48	R13802628	4	. Flat Washer	104	209304	2	. Fitting
49	209421	2	. Fitting	105	209932	1	. Hose Assembly
50	234896	6	. Capscrew	106	26838	1	. Fitting
51	00106268	6	. Flat Washer	107	578662	1	. Bracket Weldment
52	578361	12	. Flat Washer	108	R13801909	1	. Capscrew
53	223188	6	. Nut, Esna	109	R13811451	3	. Flat Washer
55	223692	8	. Capscrew	110	580273	1	. Mounting Weldment, Engine LH
56	223694	8	. Lockwasher	111	249539	1	. Heater, Eng
57	211791	5'	. Hose, Radiator				
58	219460	1'	. Hose, Radiator				

* See Separate Coverage



- NOTES:**
1. SEAL ALL OPEN PORTS WITH PLASTIC PLUGS, CAPS, OR TAPE.
 2. REFER TO THE UNIT MASTER SHEET FOR THE HEATER-CAB OR AIRCONDITIONER/HEATER OPTION PARTS LIST FOR CONTINUATION OF PLUMBING.
 3. CAUTION: NO LINES OTHER THAN THE VENT LINES ARE TO BE PLUMBED TO THE TOP TANK OR ENGINE VENT PORTS. THESE LINES ARE NOT TO RISE ABOVE THE RADIATOR VENT PORTS OR HAVE ANY LOOPS THAT COULD TRAP AIR.