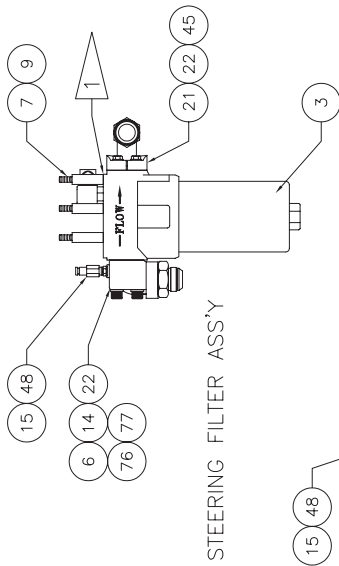

Valve Plate Assembly

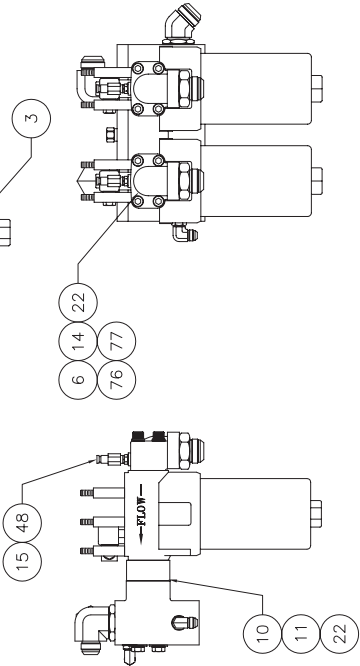
Valve Plate Assembly

Item	Part No.	Qty	Description	Item	Part No.	Qty	Description
	580211		Valve Plate Assembly				
1	580212	1	. Valve Plate Weldment	49	209805	1	. Fitting
2	* 234990	1	. Valve, Flow Amplate	50	229340	8	. Capscrew
3	* 228201	3	. Pressure Filter	51	225606	1	. Hose Assembly
4	245334	1	. Indicator, Elec/Vis	52	209714	1	. Fitting
5	578466	2	. Adapter	53	223783	1	. Fitting
6	579382	3	. Fitting	54	579777	1	. Fitting
7	242368	18	. Stud	55	247846	1	. Valve
8	* 246869	1	. Valve, Main	56	247728	1	. Hose Assembly
9	563204	18	. Spacer	57	234878	16	. Capscrew
10	579090	1	. Manifold	58	205128	16	. Lockwasher
11	245847	2	. Check Valve	59	209137	2	. Fitting
12	209589	4	. Clamp	60	12721	1	. Kit, Split Flange
13	241257	1	. Hose Assembly		200604	4	. . Lockwasher
14	214128	3	. Fitting		209538	2	. . Clamp Half
15	228040	4	. Coupler, Male		222379	4	. . Capscrew
16	243503	6	. Receptacle	61	211560	1	. Fitting
17	243505	6	. Lock, Secondary	62	23945	4	. Fitting
18	219390	3'	. Loom, Auto	63	579813	1	. Fitting
19	211551	1	. Fitting	64	236356	4	. Capscrew
20	226904	1	. Fitting	65	232331	12	. Lockwasher
21	14274	1	. Fitting	66	209619	2	. Fitting
22	203516	6	. O-Ring	67	11746	1	. Fitting
23	228198	4	. Capscrew	68	242165	4	. Capscrew
24	200604	16	. Lockwasher	69	203446	1	. O-Ring
25	223929	4	. Fitting	70	209715	1	. Fitting
26	223654	22	. Nut, Esna	71	225128	2	. Fitting
27	00103341	36	. Flat Washer	72	22239	2	. Fitting
28	224814	3	. Capscrew	73	235296	1	. Fitting
29	201569	11	. Flat Washer	74	12861	1	. Hose Assembly
30	224202	3	. Nut, Esna	75	247701	1	. Hose Assembly
31	R13810999	4	. Capscrew	76	226149	12	. Lockwasher
32	235620	4	. Nut, Esna	77	230635	12	. Capscrew
33	234884	3	. Capscrew	78	579394	1	. Tube Assembly
34	00103342	7	. Flat Washer	79	579395	1	. Tube Assembly
35	201568	11	. Lockwasher	80	251769	1	. Hose Assembly
36	228048	1	. Fitting	81	230880	1	. Hose Assembly
37	28574	1	. Fitting	82	247999	1	. Fitting, Ff
38	209488	2	. Fitting	83	* 579803	1	. Manifold Assembly, Shuttle
39	214316	2	. Fitting	84	209423	1	. Fitting
40	229385	5	. Fitting	85	234864	2	. Capscrew
41	209083	1	. Fitting	86	579579	1	. Tube Assembly
42	209486	3	. Fitting	87	245846	1	. Check Valve
43	11759	8	. Kit, Split Flange	88	578680	2	. Tube Assembly
	201567	4	. . Lockwasher	89	578530	1	. Decal
	202201	4	. . Capscrew	90	238159	4	. Connector, Wire
	203443	1	. . O-Ring	91	238154	4	. Connector, Wire
	209535	2	. . Clamp Half	92	R740874	12	. Pin, Female
44	249587	1	. Fitting	93	R740866	12	. Pin, Male
45	11740	3	. Kit, Split Flange	94	R740867	12	. Seal, Wire
	201615	4	. . Capscrew	95	212717	1	. Fitting
	203446	1	. . O-Ring	96	212705	1	. Fitting
	209536	2	. . Clamp Half	97	238689	4	. Capscrew
46	579356	1	. Manifold, Alum	98	223595	4	. Lockwasher
47	579362	2	. Manifold, Alm	99	209536	2	. Clamp Half
48	225104	3	. Fitting				

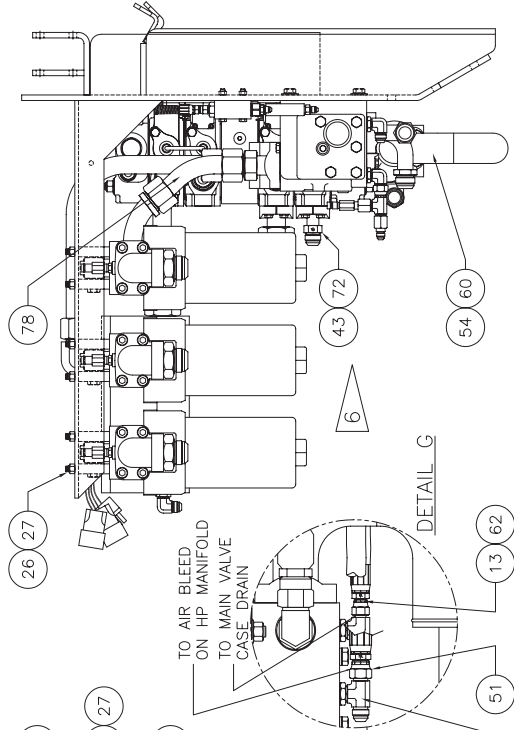
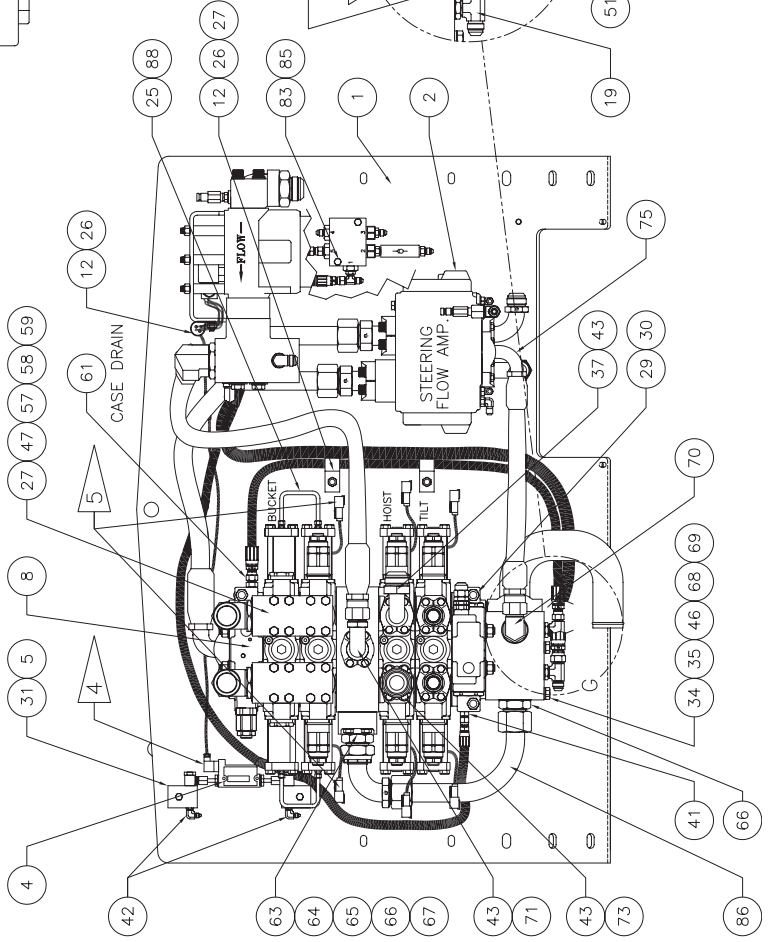
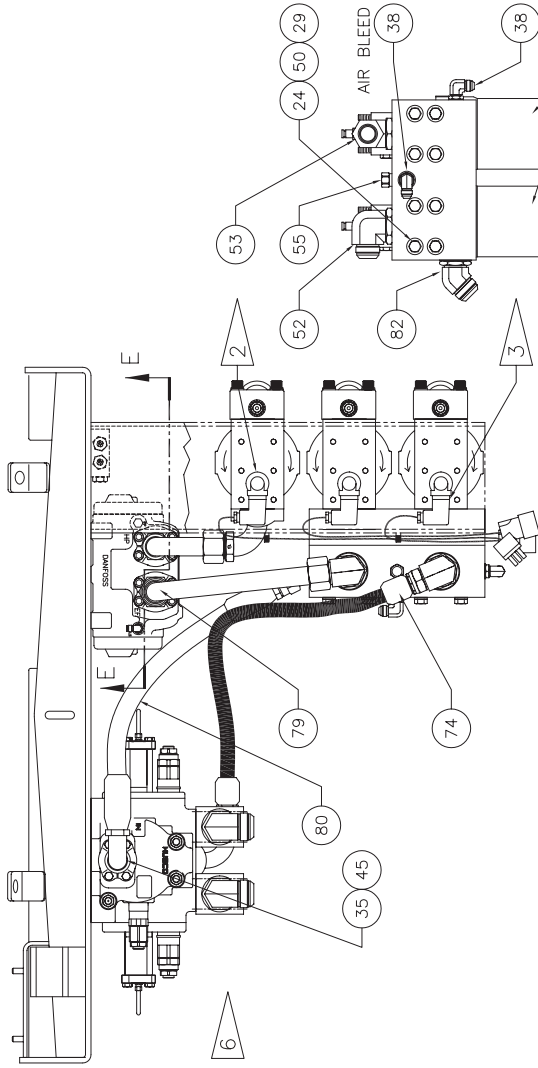
* See Separate Coverage



STEERING FILTER ASS'Y

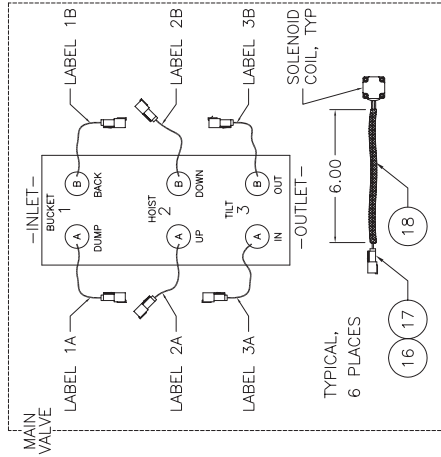
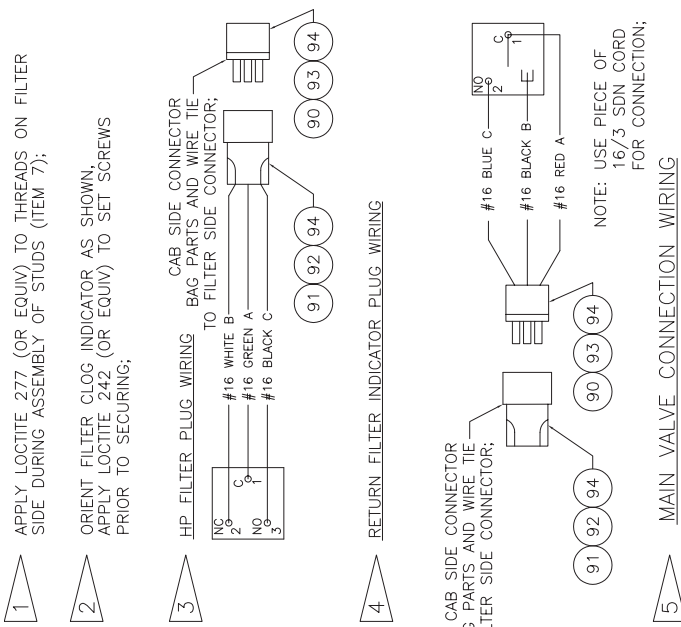


IMPLEMENT AND BRAKE FILTER ASS'Y

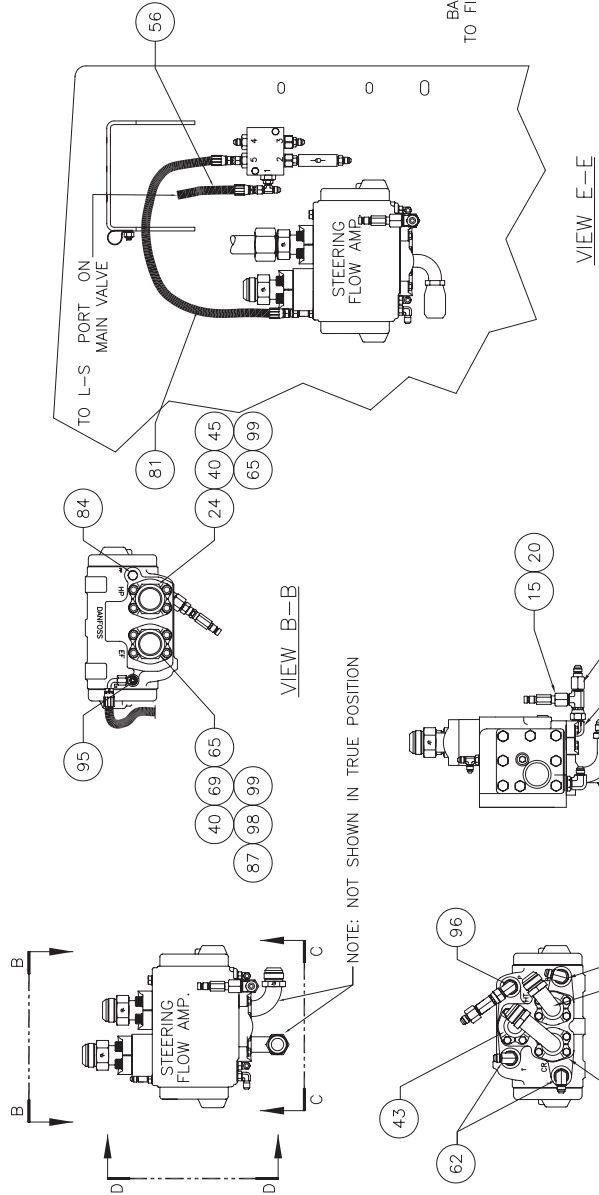


TO AIR BLEED
ON HP MANIFOLD
TO MAIN VALVE
CASE DRAIN

DETAIL G



6 L-S REGULATOR REMOVED FROM VIEW FOR CLARITY;



NOTE: NOT SHOWN IN TRUE POSITION

NOTE: NOT SHOWN IN TRUE POSITION

