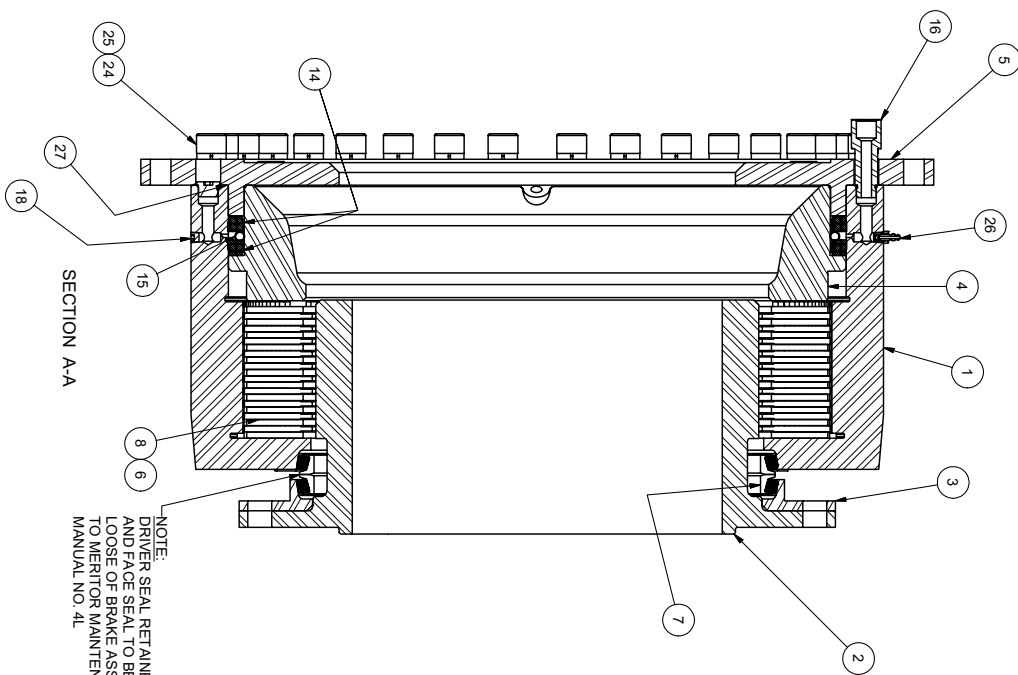
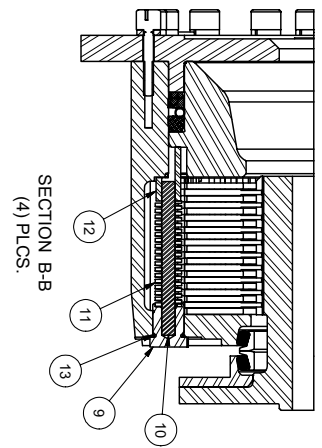
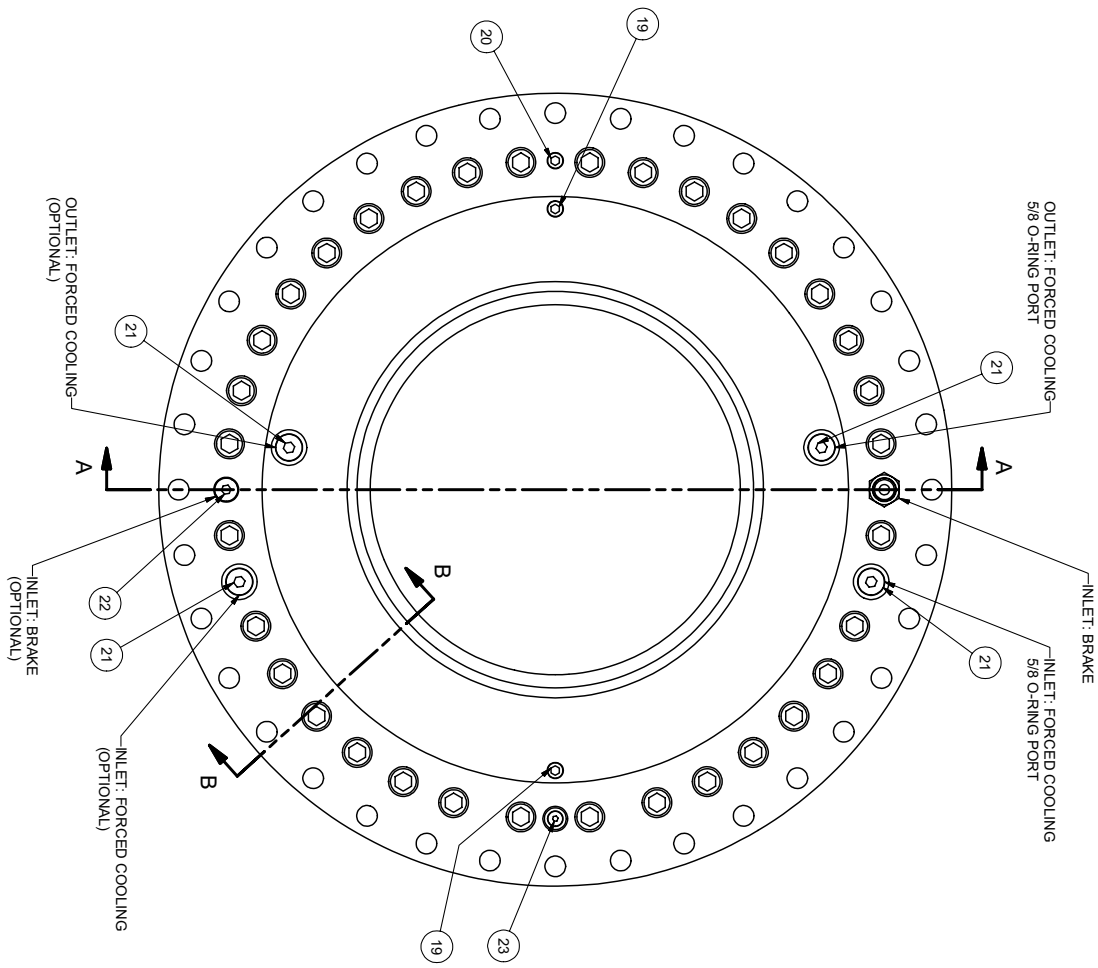

Brake Assembly, Wet Disc



NOTE:
DRIVER SEAL RETAINER
AND FACE SEAL TO BE SHIPPED
LOOSE OF BRAKE ASSY. REFER
TO MERTOR MAINTENANCE
MANUAL NO. 4L

Brake Assembly, Wet Disc

Item	Part No.	Qty	Description	Item	Part No.	Qty	Description
	580171		Brake Assembly, Wet Disc				
1	238583	1	. Housing, Brake	14	238578	2	. Seal
2	238592	1	. Driver	15	240186	1	. Spring, Spacer
3	238591	1	. Retainer	16	238572	1	. Fitting
4	238580	1	. Piston	18	R13801760	2	. Fitting
5	580172	1	. Plateend	19	238575	2	. Plate, Magnetic
6	238582	10	. Disc, Friction	20	R13801762	1	. Fitting
7	238590	1	. Seal Assembly, Oil	21	228773	4	. Fitting
8	238581	11	. Disc, Brake	22	229345	1	. Fitting
9	238588	4	. Plate	23	235387	1	. Fitting
10	238587	4	. Rod	24	250129	34	. Capscrew
11	238585	4	. Spring	25	R13812518	34	. Washer
12	238584	4	. Guide, Spring	26	R1992651	1	. Screw, Bleeder
13	209073	4	. O-Ring	27	236308	1CAN	. Silicone, Superflex Ultra Blue