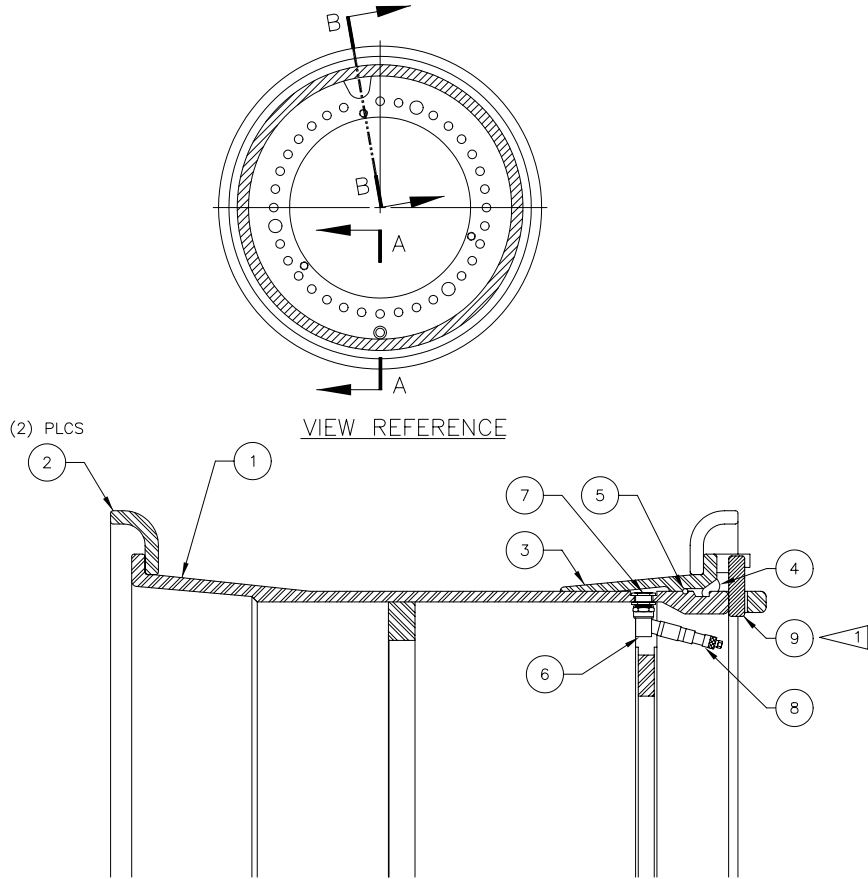
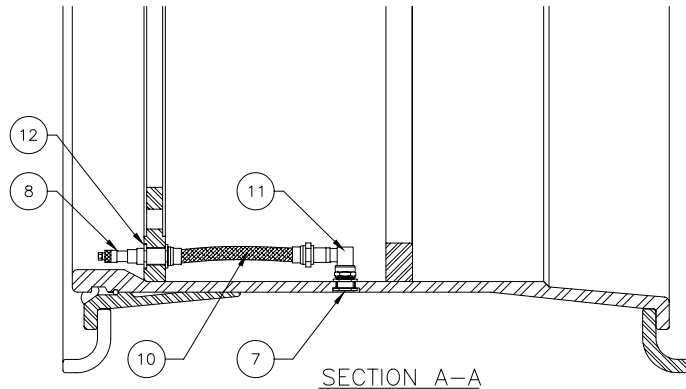


Chassis Rim Assembly



SECTION B-B

NOTE: VIEW IS TYPICAL FOR (2) LOCKS LOCATED 180° APART.



SECTION A-A

Item	Part No.	Qty	Description	Item	Part No.	Qty	Description
580138 Wheel Assembly, Chassis							
1	580139	1	. Rim Base Weldment	7	221834	2	. Spud Assembly
2	210121	2	. Flange	8	221835	2	. Housing, Core
3	560983	1	. Bead Seat	9	560262	2	. Lock, Wheel
4	210123	1	. Ring, Lock	10	235299	1	. Extension, Flex Stem
5	210099	1	. O-Ring	11	249413	1	. Stem, Valve
6	221836	1	. Stem, Valve	12	580209	2	. Bar