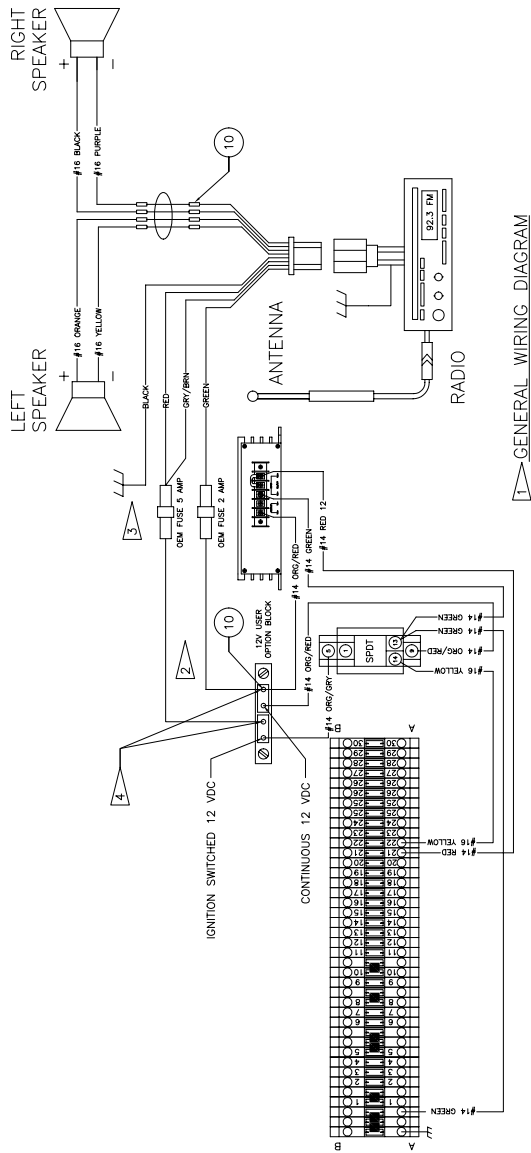
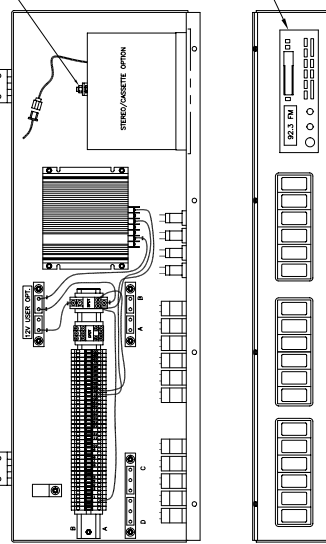

Stereo/CD Player Installation



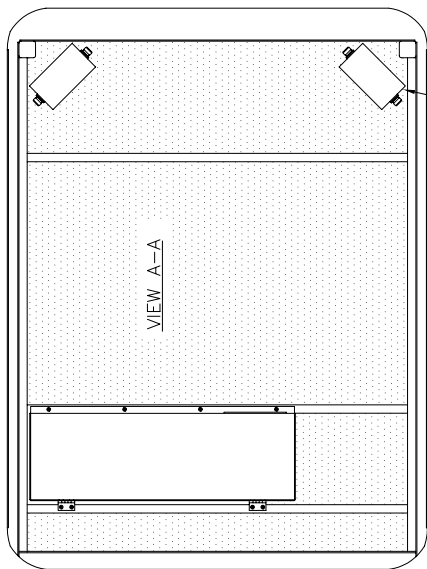
▷ GENERAL WIRING DIAGRAM

ATTACH REAR SUPPORT USING HARDWARE SUPPLIED WITH STEREO UNIT;

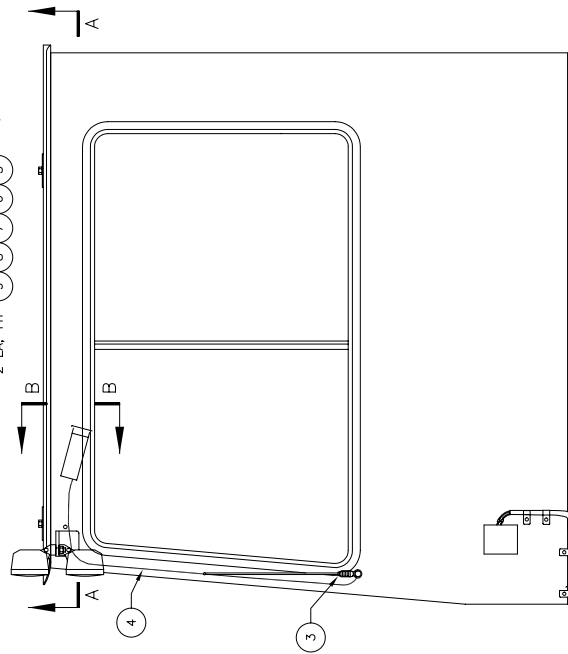
- 1 SEE WIRING DIAGRAM SPECIFIED ON M/S FOR CORRECT WAGO TERMINAL BLOCK CALLOUTS;
- 2 CONSULT STEREO MANUFACTURER SUPPLIED INSTALLATION INSTRUCTIONS FOR SPECIFIC WIRING INFORMATION;
- 3 RETAIN OEM SUPPLIED FUSE HOLDERS FOR PROTECTION OF 12 VDC COMPONENTS;
- 4 TERMINATE ENDS OF WIRE WITH 14-16 GA RING TERMINALS, ITEM 10;



VIEW B-B



2 EA, TYP (2) PLCS



Stereo/CD Player Installation

Item	Part No.	Qty	Description	Item	Part No.	Qty	Description
	580134		Stereo/CD Player Installation				
1	244837	1	. Stereo/Cd Player	7	12723	4	. Seal
2	226686	2	. Speaker	8	00103338	4	. Flat Washer
3	226688	1	. Antenna	9	223799	4	. Nut, Esna
4	229946	1	. Cable, Antennae	10	200247	2	. Terminal Ring
5	553781	4	. Tube, Spacer	11	220776	8	. Splice, Butt
6	00422653	4	. Machine Screw				