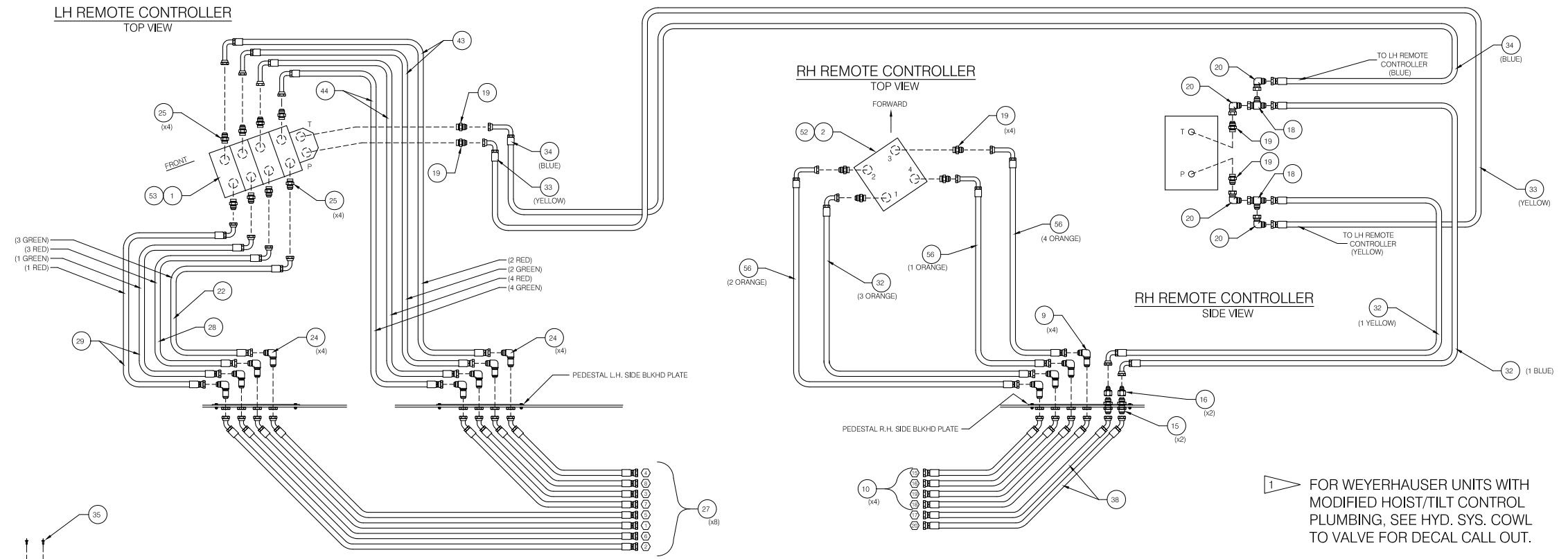

Hydraulic System - Seat Mounted Controls

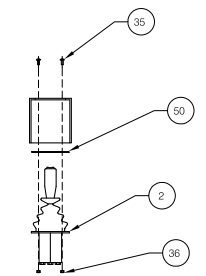
Hydraulic System - Seat Mounted Controls

Item	Part No.	Qty	Description	Item	Part No.	Qty	Description
	580108		Hydraulic Sys. - Seat Mtd Ctrl				
1	* 237237	1	. Control Valve	29	237272	2	. Hose Assembly
2	* 249361	1	. Valve, RH Pilot Control	30	568668	1	. Plate
3	221503W	2	. Capscrew	31	00103319	5	. Lockwasher
4	561830	2	. Plate	32	232286	3	. Hose Assembly
5	566662	2	. Bracket	33	237412	1	. Hose Assembly
6	209588	8	. Clip	34	245278	1	. Hose Assembly
7	209697	3	. Clamp	35	222384	10	. Machine Screw
8	209589	2	. Clamp	36	222441	20	. Locknut
9	224968	4	. Fitting	37	R13810993	17	. Capscrew
10	238252	4	. Hose Assembly	38	238253	2	. Hose Assembly
11	224120W	8	. Capscrew	39	00103339	20	. Flat Washer
12	568455	1	. Back Plate	40	570819	2	. Washer
13	568430	1	. Plate, Front	41	570534	1	. Armrest, RH
14	568326	1	. Bracket, LH	42	570705	1	. Armrest, LH
15	215203	8	. Fitting	43	237096	2	. Hose Assembly
16	226904	6	. Fitting	44	237273	2	. Hose Assembly
18	211562	2	. Fitting	45	223427	4	. Flat Washer
19	211560	6	. Fitting	46	576346	1	. Control
20	211561	4	. Fitting	47	567173	1	. Decal
21	219502	8	. Fitting	48	557726	1	. Decal
22	237474	1	. Hose Assembly	49	573428	2	. Bar, Spacer
23	568669	1	. Plate	50	574511	2	. Spacer
24	23543	8	. Fitting	51	237391	1'	. Insulation, Pipe
25	223929	8	. Fitting	52	241200	1	. Insulation,Valve Cover Wrap
26	209482	2	. Fitting	53	241205	1	. Insulation,Valve Cover Wrap
27	237258	8	. Hose Assembly	54	220577	1	. Connector, Cord
28	232283	1	. Hose Assembly	56	254771	3	. Hose Assembly

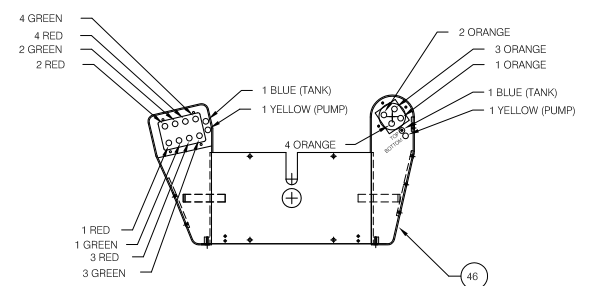
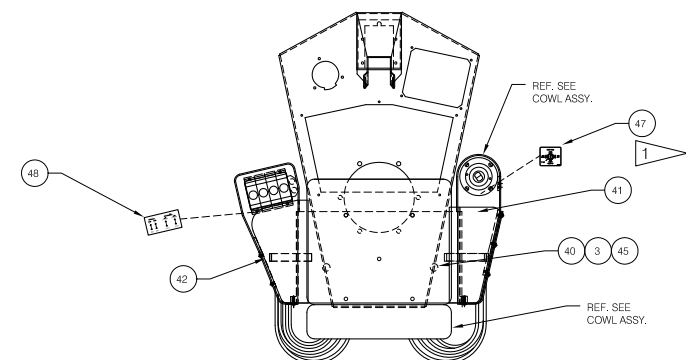
* See Separate Coverage



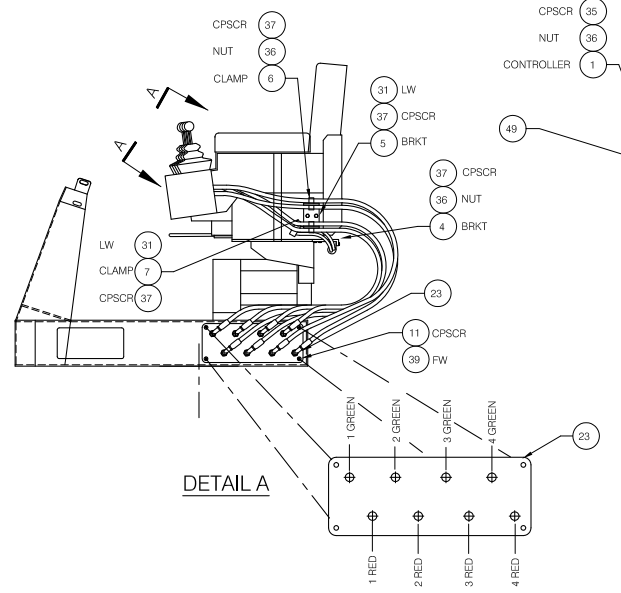
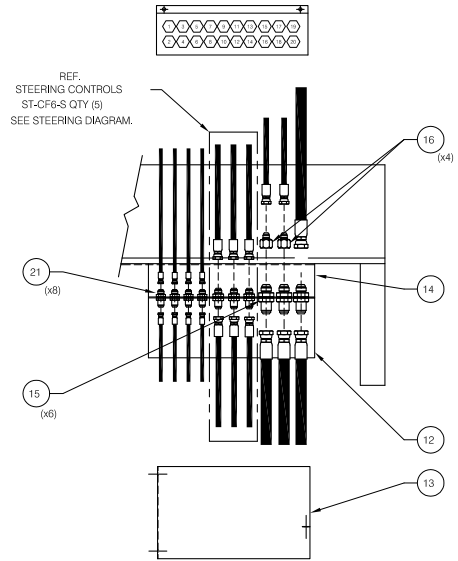
1 FOR WEYERHAUSER UNITS WITH MODIFIED HOIST/TILT CONTROL PLUMBING, SEE HYD. SYS. COWL TO VALVE FOR DECAL CALL OUT.



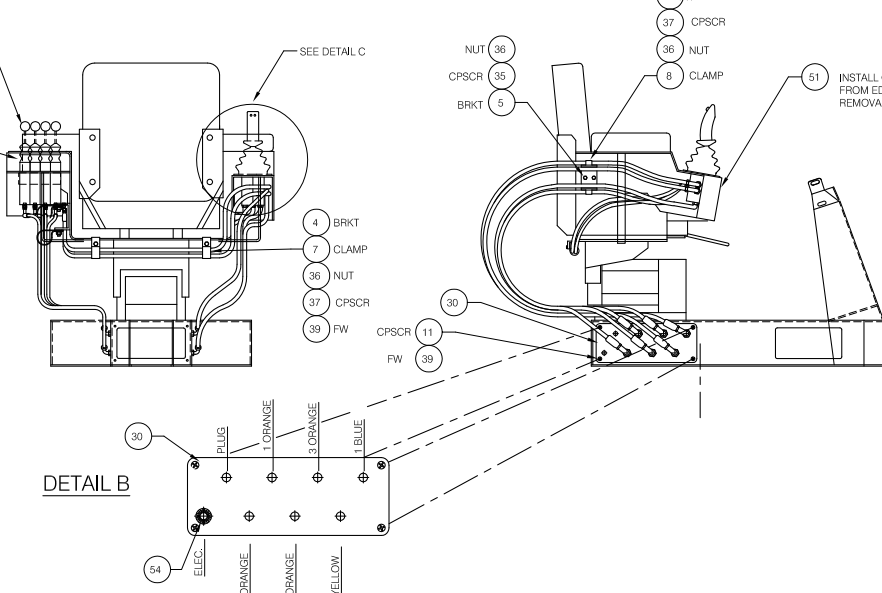
DETAIL C



NOTE: HOSES: 9 10 11 12 13 ARE FOR STEERING PILOT SEE HYDRAULIC SYSTEM STEERING SCHEMATIC ON MASTER SHEET.



DETAIL A



DETAIL B