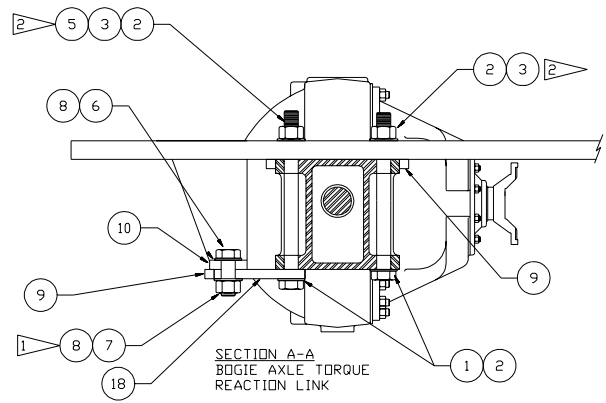
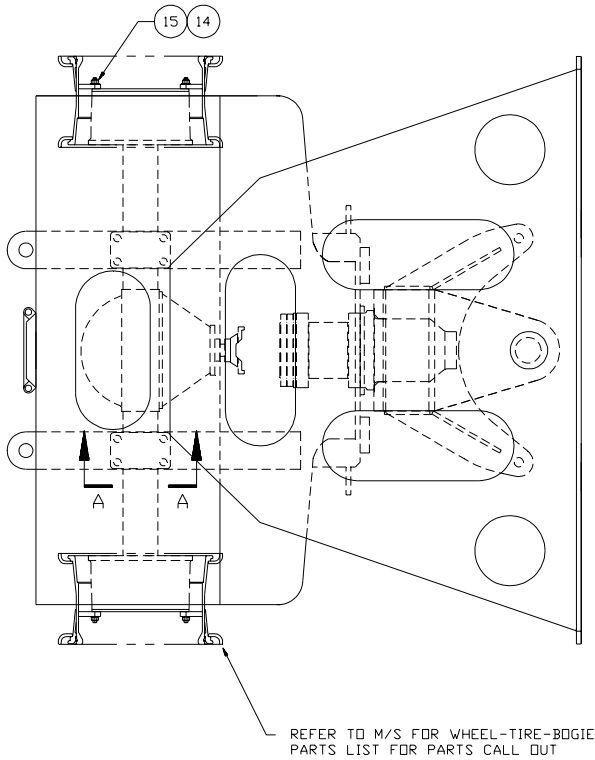


Rear Axle Installation



SECTION A-A
BOGIE AXLE TORQUE
REACTION LINK

- NOTES:
- 1 TORQUE TO 1000 FT/LBS DRY
 - 2 TORQUE TO 1500 FT/LBS DRY
 - 3 WELD AFTER AXLE AND LINK ARE BOLTED IN PLACE
 - 4 WELD AT FINAL ASSY. AFTER STOP IS BOLTED IN PLACE.

Item	Part No.	Qty	Description	Item	Part No.	Qty	Description
580094 Rear Axle Installation							
1	242690	4	. Capscrew	10	562389	2	. Plate, Torque Bar
2	224215	16	. Washer, Hard	12	* 580095	1	. Axle, Bogie
3	220448	8	. Nut, Esna	14	217768	54	. Nut, Hex
5	242691	4	. Capscrew	15	204882	54	. Washer
6	224181	4	. Capscrew	18	556708	2	. Link
7	220918	4	. Nut, Esna				
8	217419	8	. Washer, Hard	* See Separate Coverage			
9	556710	6	. Stop, Axle				