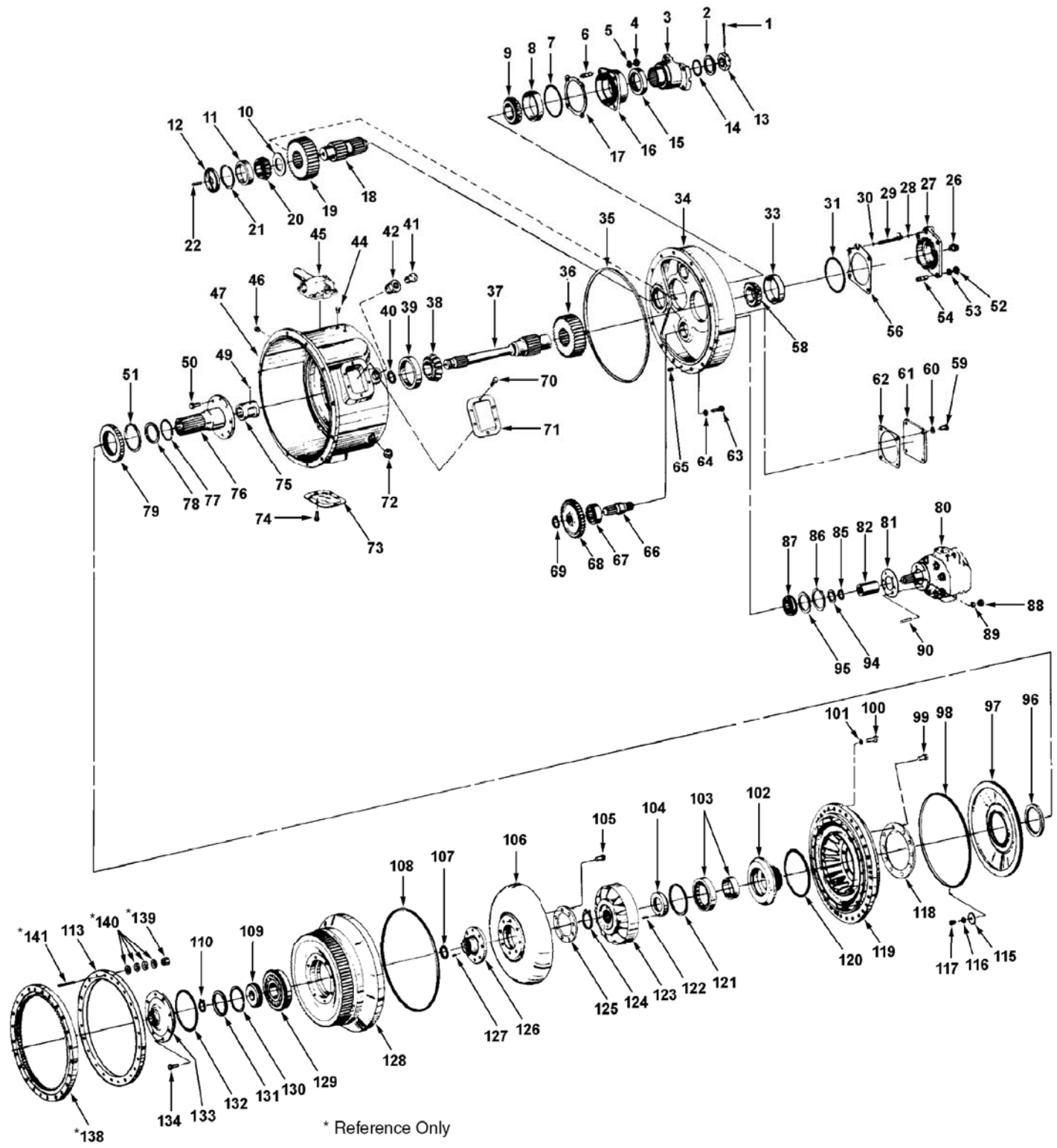
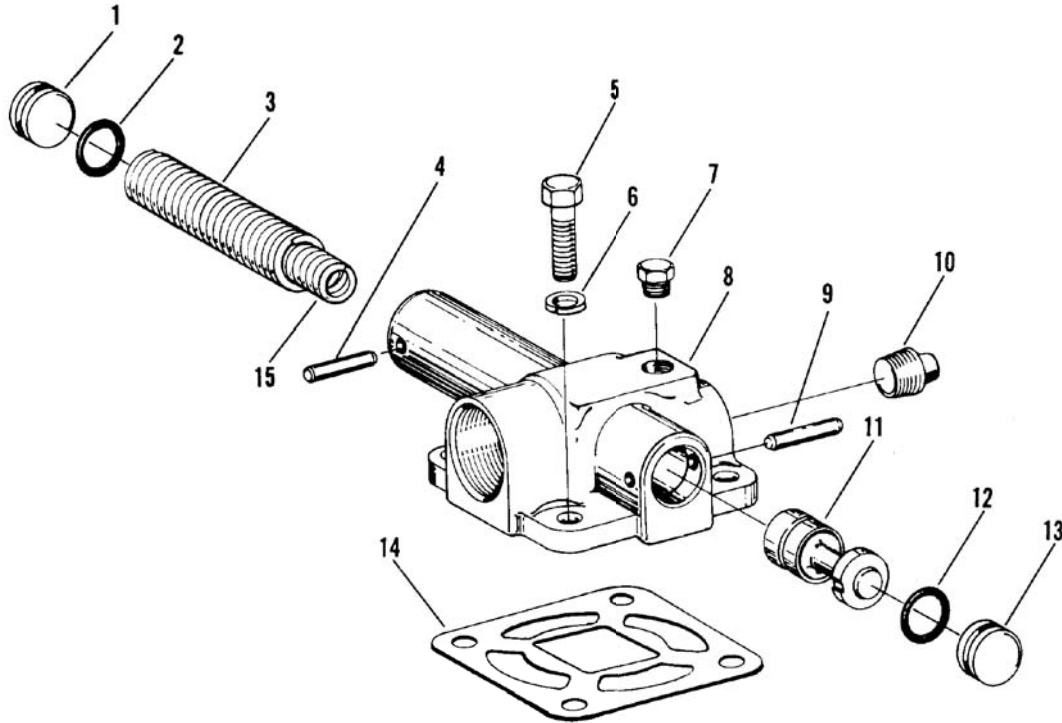

Converter

Converter



Item	Part No.	Qty	Description	Item	Part No.	Qty	Description
	580064		Converter				
1	212255	1	. Cotter Pin	72	222448	4	. Plug, Drain
2	212254	1	. Washer	73	212477	2	. Cover, Housing Inspection
3	212252	1	. Flange, Output	74	200303	4	. Capscrew
4	212441	4	. Nut	74A	200602	4	. Lockwasher
5	200604	4	. Lockwasher	75	212475	1	. Sleeve, Oil Distributor
6	212440	4	. Stud	76	223440	1	. Sleeve Assembly, Stator Support
7	*a 236877	1	. O-Ring	77	*a 222446	1	. Piston Ring
8	236878	1	. Bearing Cup, Rear	78	*a 222447	1	. Expander Spring, Piston Ring
9	236879	1	. Bearing Cone, Rear	79	234904	1	. Gear, Oil Pump Drive
10	212433	1	. Bearing Spacer, Front	80	222452	1	. Pump, Converter Charging
11	212432	1	. Bearing Cup, Front	81	*a R235961	1	. Gasket, Charging Pump
12	212431	1	. Oil Baffle	82	539968	1	. Pump Sleeve With Snap Ring
13	201250	1	. Nut	85	212494	3	. Snap Ring
14	*a 236880	1	. O-Ring	86	212493	3	. Snap Ring
15	*a 212250	1	. Oil Seal	87	234905	3	. Bearing, Pump Shaft Rear
16	214844	1	. Bearing Cap	87A	234903	3	. Spacer
17	212443	A/R	. Shim, Bearing Cap, .004	88	R13803692	5	. Nut
17A	212444	A/R	. Shim, Bearing Cap, .007	89	200602	6	. Lockwasher
17B	212445	A/R	. Shim, Bearing Cap, .010	90	233078	6	. Stud
18	212446	1	. Shaft, Output	94	212499	3	. Washer, Rear Bearing
19	236881	1	. Shaft Gear, Output	95	212500	3	. Washer, Rear Bearing
20	212448	1	. Bearing Cone, Front	96	*a 222453	1	. Oil Seal
21	212450	1	. Snap Ring, Front Bearing	97	212502	1	. Oil Baffle
22	212451	1	. Oil Tube	98	*a R13813011	1	. O-Ring
26	212274	1	. Plug, Pipe	99	233079	16	. Screw, Impeller Hub
27	212455	1	. Bearing Cap	100	233080	32	. Screw
28	*a 212456	1	. O-Ring	101	200603	32	. Lockwasher
29	212457	1	. Lube Tube	102	236078	1	. Hub, Impeller
30	*a 212456	1	. O-Ring	103	212506	1	. Bearing
31	*a 236882	1	. O-Ring	104	212507	1	. Spacer, Reaction Member
33	236878	1	. Bearing Cup	105	233081	8	. Screw, Turbine Hub
34	227811	1	. Cover, Housing Rear	106	241474	1	. Turbine
35	*a 212460	1	. O-Ring	107	212511	1	. Snap Ring
36	236881	1	. Gear, Turbine Shaft	108	*a 214760	1	. O-Ring
37	222445	1	. Turbine Shaft	109	240541	1	. Retainer, Bearing
38	212469	1	. Bearing Cone	110	212514	1	. Snap Ring
39	212470	1	. Bearing Cup	113	217598	1	. Plate, Backing
40	*a 242390	1	. Piston Ring	115	212531	3	. Washer
41	212532	1	. Breather	116	236655	3	. Lockwasher
42	221253	1	. Reducing Bushing	117	200564	3	. Screw
44	212454	1	. Plug, Pipe	118	236079	1	. Backing Ring
45	212545	1	. Pressure Regulating Valve (See Pg 4)	119	241553	1	. Impeller
46	222444	1	. Housing, Converter	120	*a 212528	1	. O-Ring, Impeller Hub
47	212401	1	. Plug, Pipe	121	212527	1	. Snap Ring
49	212358	1	. Ball	122	212526	1	. Pin, Spacer Roll
50	237295	8	. Capscrew	123	212525	1	. Reaction Member
51	212472	1	. Snap Ring, Gear	124	212283	1	. Snap Ring
52	212441	4	. Nut	125	233084	1	. Ring, Backing
53	200604	4	. Lockwasher	126	212524	1	. Hub, Turbine
54	212440	4	. Stud	127	212523	2	. Dowel Pin
56	212482	A/R	. Bearing Cap Shim, .004	128	212522	1	. Cover, Impeller
56A	212483	A/R	. Bearing Cap Shim, .007	129	212521	1	. Bearing, Front
56B	212484	A/R	. Bearing Cap Shim, .010	130	*a 222457	1	. Piston Ring
58	236879	1	. Bearing Cone	131	*a 222458	1	. Expander Spring, Piston Ring
59	219725	8	. Capscrew	132	*a 212515	1	. O-Ring
60	200604	8	. Lockwasher	133	240542	1	. Cap, Impeller Cover & Sleeve
61	212492	2	. Cover		218431	1	. Sleeve, Impeller Cover (Not Shown)
62	236884	2	. Gasket	134	212518	8	. Capscrew
63	214234	12	. Screw	136	214867	1	. Nameplate (Not Shown)
64	219344	12	. Lockwasher	137	212535	2	. Nameplate Screw (Not Shown)
65	212486	1	. Dowel Pin	138	*b 570735	1	. Ring Gear
66	234901	3	. Pump Drive Shaft	139	*b 237316	24	. Nut
67	212489	3	. Bearing, Pump Shaft Front	140	*b 237315	96	. Washer, Belleville
68	234902	3	. Gear	141	*b 570776	24	. Stud
69	234564	3	. Snap Ring		A/R As Required		
70	200303	2	. Capscrew		*a Service Kit Number 570430		
70A	200602	2	. Lockwasher		*b Included in Kit, Ring Gear 570775		
71	212477	1	. Cover, Housing Inspection				

Pressure Regulating Valve



Item	Part No.	Qty	Description	Item	Part No.	Qty	Description
	212545		Pressure Regulating Valve				
1	212546	1	. Piston Stop	9	212548	1	. Roll Pin
2	*a 234586	1	. O-Ring	10	216672	1	. Pipe Plug
3	212547	1	. Pressure Spring	11	212551	1	. Piston
4	212548	1	. Roll Pin	12	*a 234586	1	. O-Ring
5	200566	4	. Screw	13	212546	1	. Piston Stop
6	200603	4	. Lockwasher	14	*a 212552	1	. Gasket
7	212454	1	. Pipe Plug	15	212553	1	. Spring
8	233089	1	. Valve Body				
					*a See Page 3		