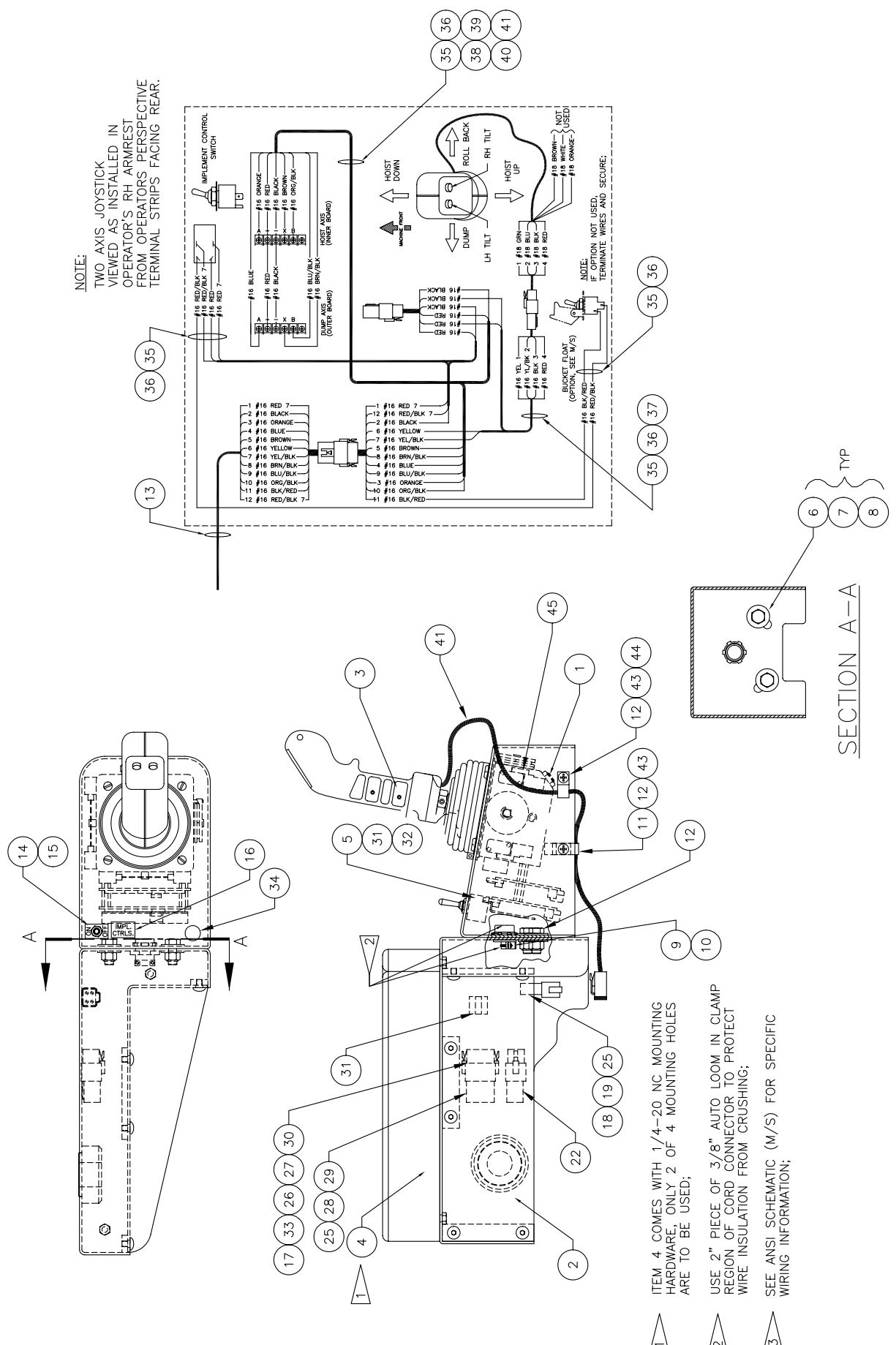

Armrest Assembly, RH



NOTE:
TWO AXIS JOYSTICK
VIEWED AS INSTALLED IN
OPERATOR'S RH ARMREST
FROM OPERATOR'S PERSPECTIVE
TERMINAL STRIPS FACING REAR.

NOTE:
IF OPTION NOT USED,
TERMINATE WIRES AND SECURE.

BUCKET FLOAT
(OPTION, SEE M/S)
#16 RED/BLK

- 1 ITEM 4 COMES WITH 1/4-20 NC MOUNTING HARDWARE, ONLY 2 OF 4 MOUNTING HOLES ARE TO BE USED;
- 2 USE 2" PIECE OF 3/8" AUTO LOOM IN CLAMP REGION OF CORD CONNECTOR TO PROTECT WIRE INSULATION FROM CRUSHING;
- 3 SEE ANSI SCHEMATIC (M/S) FOR SPECIFIC WIRING INFORMATION;

SECTION A-A

6 }
7 } TYP
8 }

Armrest Assembly, RH

Item	Part No.	Qty	Description	Item	Part No.	Qty	Description
	580004		Armrest Assembly, RH				
1	579765	1	. Mounting, Ctrl	26	243236	18	. Socket
2	579665	1	. Armrest, RH	27	241290	1	. Plate
3	* 580098	1	. Handle Assembly, Joystick	28	241291	1	. Receptacle
4	577791	1	. Armrest, RH Pad	29	241826	1	. Lock, Secondary
5	203192	2	. Terminal	30	241301	1	. Lock, Secondary
6	R13811035	2	. Capscrew	31	220949	2	. Mount, Adhesive Back
7	R13806980	4	. Flat Washer	32	227591	8	. Tie Strap
8	237567	2	. Nut, Esna	33	233963	3	. Capscrew
9	208787	1	. Connector, Cord	34	R1933720	1	. Button Plate
10	27054	1	. Ring Nut	35	219437	8'	. Wire
11	234495	1	. Capscrew	36	219436	4'	. Wire
12	224191	2	. Nut, Esna	37	219388	4'	. Wire
13	231508	8'	. Cord, SDN	38	231707	4'	. Wire
14	248733	1	. Toggle Switch	39	219355	4'	. Wire
15	248734	1	. Plate, Face	40	237627	4'	. Wire
16	572606	1	. Decal	41	219393	1'	. Loom, Auto
17	249151	3	. Clip	42	189-0076	12	. Terminal Lug (Not Illustrated)
18	249152	1	. Receptacle	43	R13803026	3	. Clip, Insul
19	249153	1	. Wedge, Lock	44	232969	1	. Capscrew
22	249156	1	. Receptacle	45	* 580468	1	. Electric Joystick w/o Handle
23	249157	1	. Plate				
24	249158	1	. Wedge, Lock				
25	243237	16	. Pin				

* See Separate Coverage