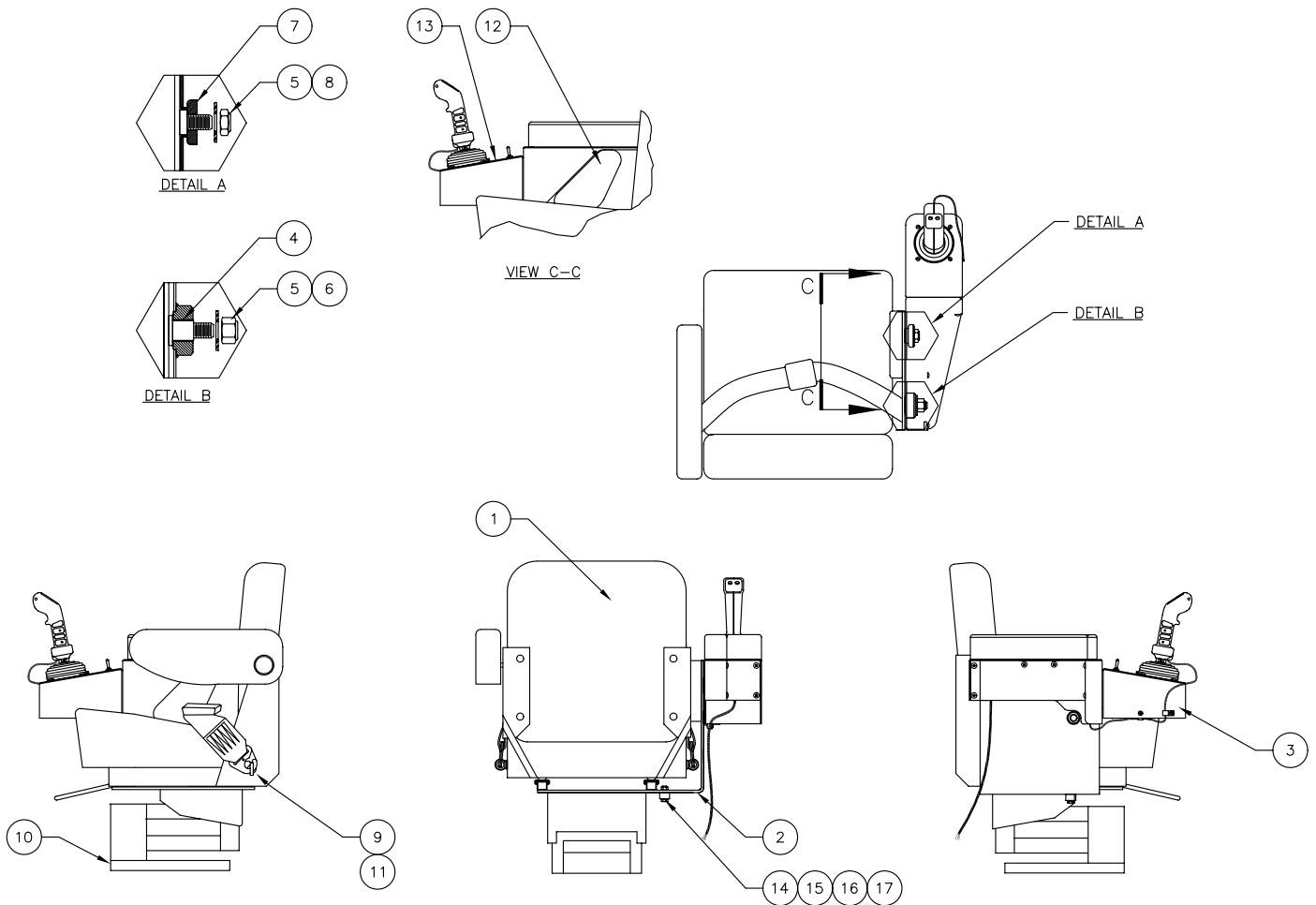


Seat Installation



Item	Part No.	Qty	Description	Item	Part No.	Qty	Description
	<b>580003</b>		<b>Seat Installation</b>				
1	* 245139	1	. Seat Assembly	11	240259	1	. Kit, Seatbelt Hardware
2	578224	1	. Seat Control Weldment	12	577792	1	. Armrest, RH Bolster
3	* 580004	1	. Armrest Assembly, RH	13	561917	1	. Decal
4	207262	1	. Bearing, Nyliner	14	570819	1	. Washer
5	223187	2	. Flat Washer	15	R13811036	1	. Capscrew
6	235461	1	. Nut, Esna	16	R13806980	1	. Flat Washer
7	704189	1	. Rest	17	224131	1	. Nut, Esna
8	00218443	1	. Jam Nut				
9	215096	1	. Belt, Safety				
10	* 245137	1	. Seat Suspension				
							* See Separate Coverage