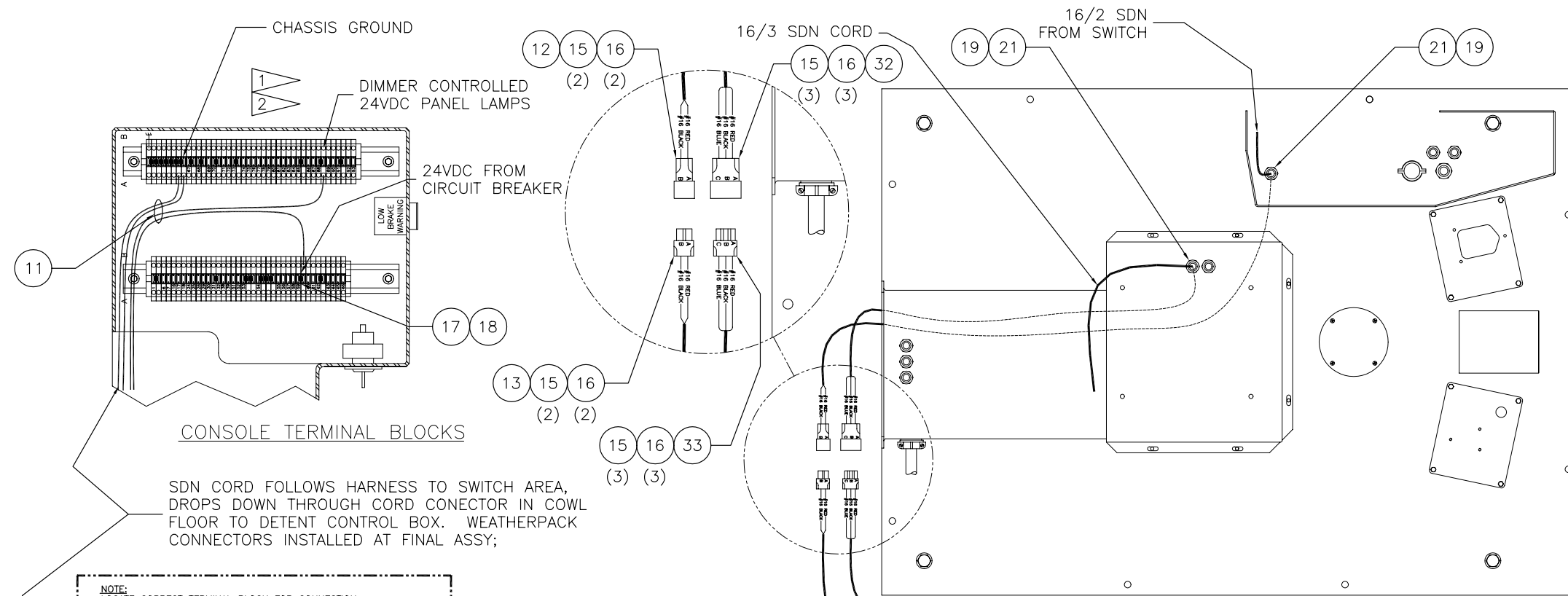


---

Bucket Detent Installation

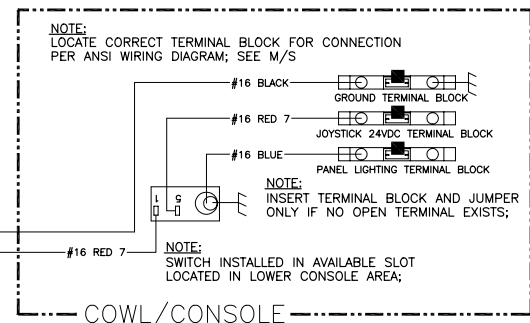
## Bucket Detent Installation

Item	Part No.	Qty	Description	Item	Part No.	Qty	Description
	<b>580000</b>		<b>Bucket Detent Installation</b>				
1	248903	3	. Cable, Proximity Sensor	26	234884	4	. Capscrew
2	248902	3	. Sensor, Proximity	27	09428830	4	. Flat Washer
3	580103	3	. Mounting Weldment	28	201568	4	. Lockwasher
4	580098	1	. Joystick Assembly	29	234870	4	. Capscrew
5	* 580099	1	. Joystick Assembly	30	231350	8	. Flat Washer
6	* 580097	1	. Control Box Assembly,Detent	31	232939	4	. Nut, Esna
7	* 580107	1	. Ansi Schematic	32	238159	1	. Connector, Wire
8	580122	1	. Decal	33	238154	1	. Connector, Wire
9	234736	1	. Switch, 24V	34	243474	1	. Receptacle
	234508	1	. . Socket	35	243237	3	. Pin
	236901	1	. . .Bulb	36	243507	1	. Lock, Secondary
10	236504	1	. Lens, Green	37	580278	1	. Decal
11	580123	1	. Wire Harness,Switch	38	200597	1	. Jam Nut
12	R740886	1	. Connector, Wire	39	244064	6'	. Hose, Bulk
13	R740885	1	. Connector, Wire	40	244065	20'	. Hose, Bulk
14	R740874	5	. Pin, Female	41	209588	4	. Clamp
15	R740866	5	. Pin, Male	42	209695	8	. Clamp
16	R740867	10	. Seal, Wire	43	221314	6	. Stud, Weld
17	236924	1	. Terminal Block	44	00103341	6	. Flat Washer
18	236926	1	. Jumper, Horizontal	45	237567	6	. Nut, Esna
19	227374	2	. Connector, Cord	46	222973	4	. Stud, Weld
20	234509	1	. Cover, Blank	47	R13811443	4	. Flat Washer
21	27054	3	. Ring Nut	48	224209	4	. Nut, Esna
22	232245	3	. Plate, Test	49	233964	6	. Capscrew
23	580248	1	. Pad Weldment,Tapped	50	R13806368	1	. Capscrew
24	580251	1	. Mounting Weldment	51	217768	1	. Hex Nut
25	580255	1	. Target Weldment				



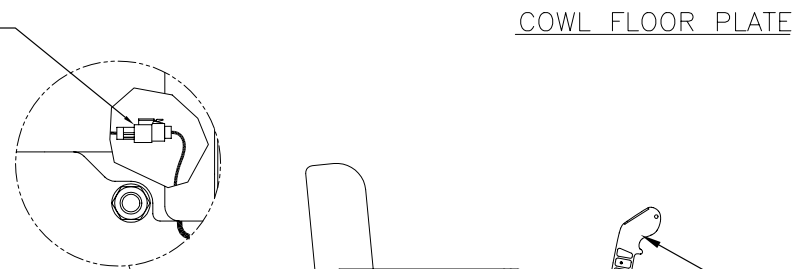
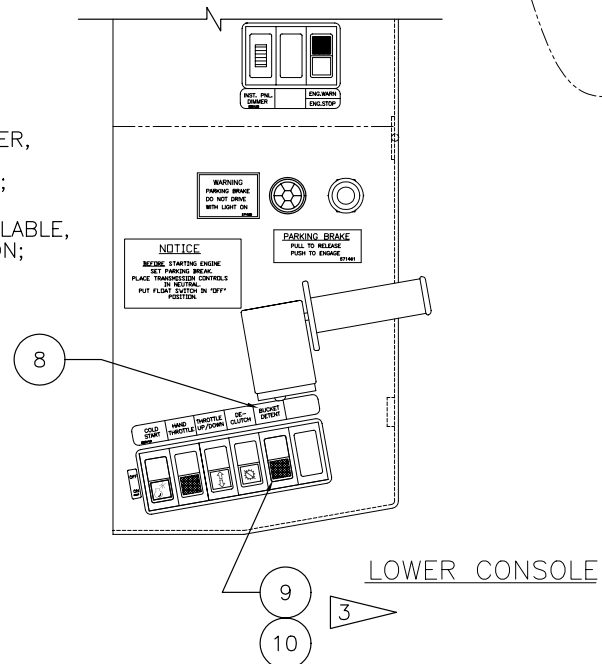
CONSOLE TERMINAL BLOCKS

SDN CORD FOLLOWS HARNESS TO SWITCH AREA, DROPS DOWN THROUGH CORD CONNECTOR IN COWL FLOOR TO DETENT CONTROL BOX. WEATHERPACK CONNECTORS INSTALLED AT FINAL ASSY;



**NOTES:**

- 1 LOCATE CORRECT TERMINAL BLOCK FOR EACH CONNECTION PER ANSI WIRING DIAGRAM; SEE M/S
- 2 INSERT TERMINAL BLOCK AND JUMPER, ITEMS 17 & 18 AS REQUIRED, ONLY IF NO OPEN TERMINAL EXISTS;
- 3 LOCATION SHOWN MAY NOT BE AVAILABLE, INSTALL IN NEXT AVAILABLE LOCATION; ITEM 20 RETURNED TO INVENTORY, FROM THIS LOCATION;



**NOTE:**  
REMOVE ITEM 4 FROM THIS LOCATION IF ALREADY INSTALLED, AND INSTALL ITEM 5 IN ITS PLACE. ROUTE THE WIRING ADDITIONAL WIRING BEHIND THE SEAT TO ITEM 19 LOCATION;

