

---

Cowl Assembly

## Cowl Assembly

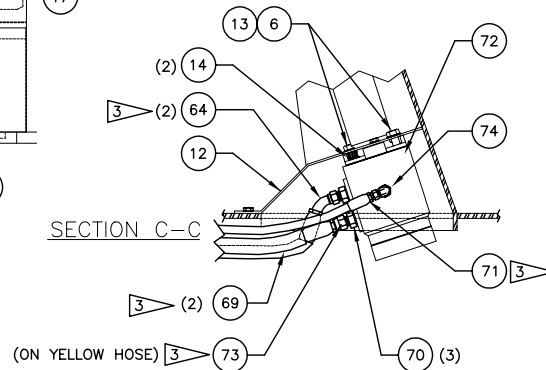
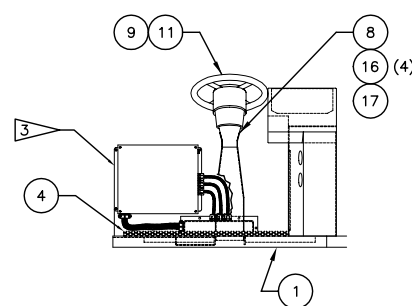
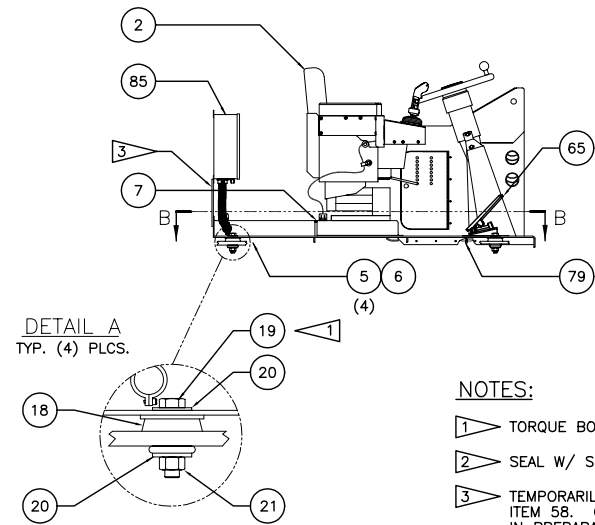
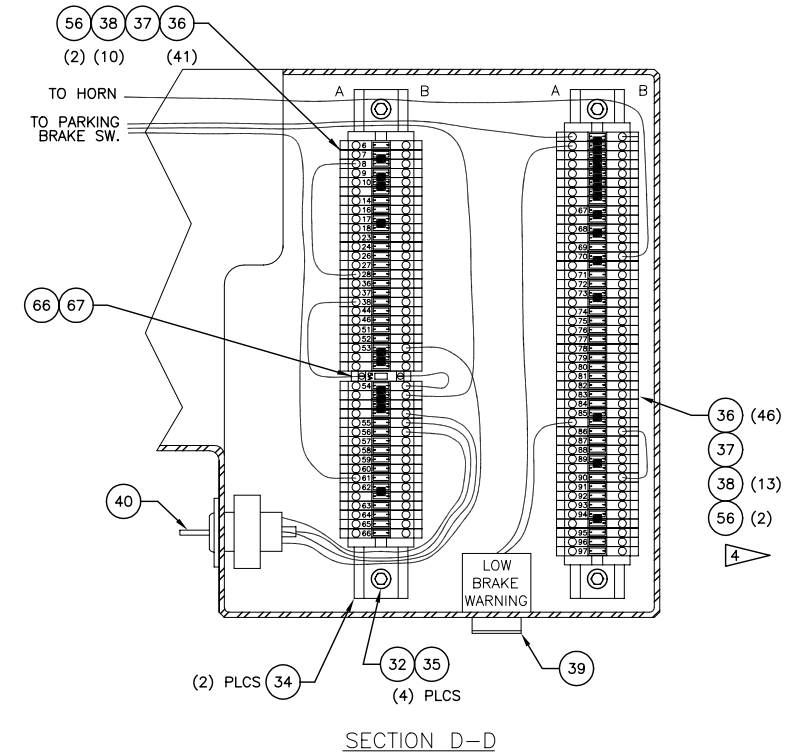
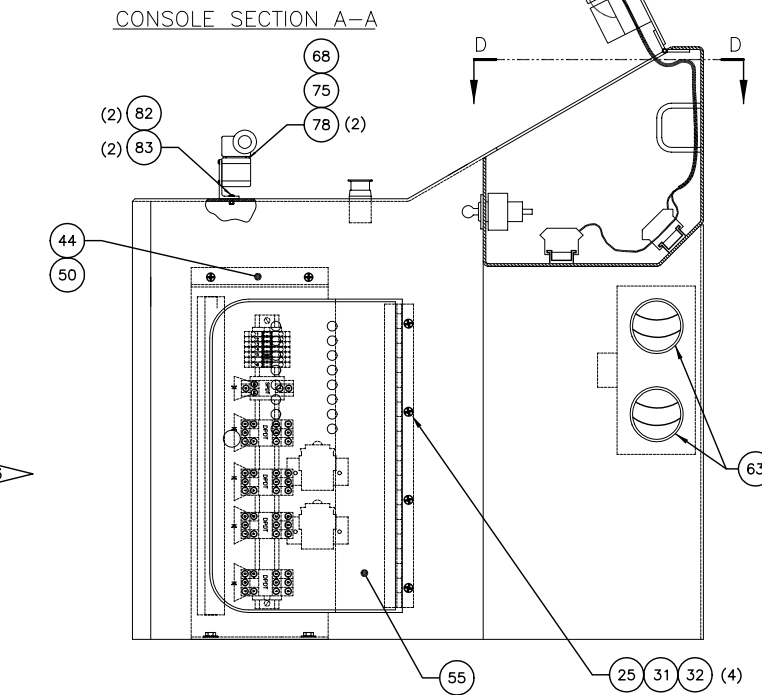
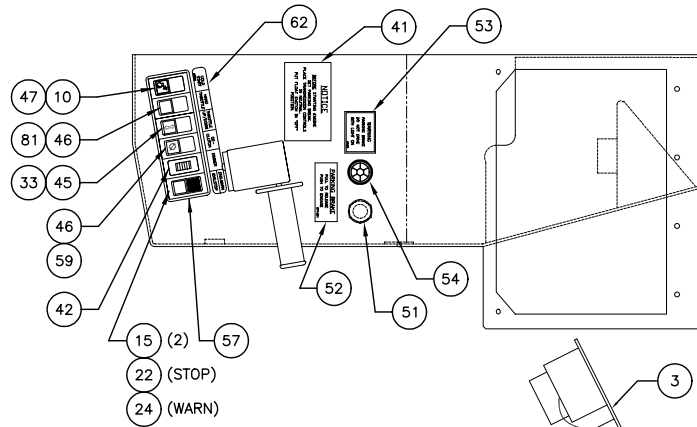
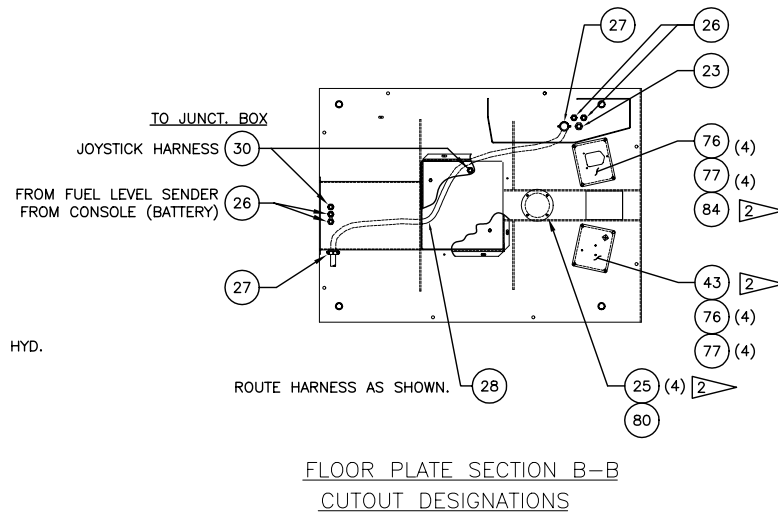
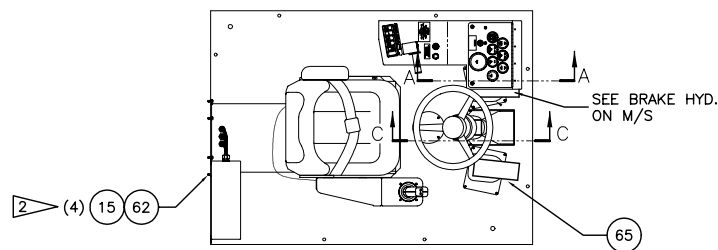
Item	Part No.	Qty	Description	Item	Part No.	Qty	Description
	<b>579846</b>		<b>Cowl Assembly</b>				
1	579911	1	. Cowl	45	243472	2	. Symbol, Switch
2	* 579660	1	. Seat Assembly	46	234736	2	. Switch
3	* 578955	1	. Instrument Panel Assembly		234508	1	. . Socket
4	* 578611	1	. Floor Mat Installation		236901	1	. . .Bulb
5	223654	4	. Nut	47	R15512	1	. Symbol, Ether Start
6	230282	6	. Washer	50	* 579119	1	. Ignition Panel Assembly
7	235038	3'	. Weatherstrip	51	234264	1	. Control Unit
8	* 579408	1	. Column, Steering	52	571461	1	. Decal
9	244506	1	. Steering Wheel	53	571430	1	. Decal
10	R13656	1	. Switch	54	225649	1	. Light, Reducer Panel
11	234651	1	. Button, Horn	55	* 579123	1	. Door Panel Assembly
12	575038	1	. Plate	56	241761	4	. End Stop
13	201634	2	. Capscrew	57	236485	1	. Frame
14	231931	2	. Capscrew	58	578963	1	. Wire Harness
15	236502	2	. Pilot Lamp	59	237495	1	. Symbol, Out-Of-Gear
16	00181354	4	. Capscrew	60	234509	2	. Cover, Blank
17	201570	4	. Spring Washer	61	578964	1	. Wiring, Console
18	224222	4	. Vibration Dampener	62	578966	1	. Decal
19	230096	4	. Capscrew	63	R840286	2	. Louver
20	00106268	8	. Washer	64	241353	2	. Hose Assembly
21	223188	4	. Nut	65	* 246923	1	. Electronic Throttle Pedal
22	236503	1	. Lens, Reducer	66	242949	1	. Terminal, Fuse
23	219517	1	. Connector, Cord	67	246924	1	. Fuse
24	237346	1	. Lens, Yellow	68	* 245672	1	. Electric Shift Controller
25	234495	8	. Capscrew	69	231338	2	. Hose Assembly
26	227374	4	. Connector, Cord	70	23577	3	. Fitting
27	226049	2	. Connector, Cord	71	233001	1	. Hose Assembly
28	578958	1	. Wire Harness, Lower Console	72	* 235218	1	. Steering Control Unit
29	227023	1	. Knockout Plate	73	234393	1	. Check Valve
30	223759	2	. Connector, Cord	74	209486	1	. Fitting
31	223645	4	. Nut	75	578588	1	. Angle
32	00103338	8	. Washer	76	234177	8	. Capscrew
33	236488	2	. Switch, On/Off/On	77	00103319	8	. Lockwasher
34	22628	7'	. Rail	78	240142	2	. Capscrew
35	232969	4	. Capscrew	79	578965	1	. Wire Harness, Throttle
36	236924	87	. Terminal Block	80	574813	1	. Platecover
37	236925	2	. End Plate	81	236504	1	. Lens, Green
38	236926	24	. Jumper, Horizontal	82	234757	2	. Capscrew
39	R10547	1	. Buzzer	83	R13811189	2	. Locknut
40	207155	1	. Switch, Ignition W/Keys	84	568288	1	. Plate
41	575279	1	. Decal	85	* 579839	1	. Junction Box Assembly
42	234739	1	. Dimmer Switch				
43	578489	1	. Plate				* See Separate Coverage
44	578506	1	. Plate				

3 HOSE COLOR CODE CHART

VALVE PORT	HOSE COLOR CODE	ITEM NO.
P	YELLOW	69
T	BLUE	64
R	GREEN	69
L	GRAY	64
LS	-	71

STEERING MODULE PORT LOCATIONS

ROUTE FLAT AGAINST CAB BOTTOM OVER HINGE.



**NOTES:**

- 1 TORQUE BOLTS TO 195 FT. LBS.
- 2 SEAL W/ SILICON SEALER
- 3 TEMPORARILY SUPPORT ITEM 85 WHILE TERMINATING ITEM 58. ONCE WIRING IS COMPLETE LAY JUNCTION BOX ON COWL FLOOR IN PREPARATION FOR MATING TO CAB ASS'Y;
- 4 SEE WIRING DIAGRAM ON M/S FOR DETAILS;

WIRING DIAGRAM FOR REFERENCE ONLY  
SEE ANSI WIRING DIAGRAM ON M/S FOR DETAILS

WIRING DIAGRAM FOR REFERENCE ONLY  
SEE ANSI WIRING DIAGRAM ON M/S FOR DETAILS

