
Cowl Assembly

Cowl Assembly

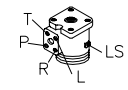
Item	Part No.	Qty	Description	Item	Part No.	Qty	Description
	579845		Cowl Assembly				
1	579911	1	. Cowl		234508	1	. . Socket
3	* 578955	1	. Instrument Panel Assembly		236901	1	. . Bulb
4	* 578611	1	. Floor Mat Installation	47	R15512	1	. Symbol, Ether Start
5	223654	4	. Nut	50	* 579852	1	. Sub-Panel Assembly, Relay
6	230282	6	. Washer	51	234264	1	. Control Unit
7	235038	3'	. Weatherstrip	52	571461	1	. Decal
8	* 579408	1	. Column, Steering	53	571430	1	. Decal
9	244506	1	. Steering Wheel	54	225649	1	. Light, Reducer Panel
10	R13656	1	. Switch, 24V	55	* 579853	1	. Panel Assembly, Door
11	234651	1	. Button, Horn	56	241761	4	. End Stop
12	575038	1	. Mounting Plate	57	236485	1	. Frame
13	201634	2	. Capscrew	58	579854	1	. Wire Harness
14	231931	2	. Capscrew	59	237495	1	. Symbol, Out-Of-Gear
15	236502	2	. Pilot Lamp	60	*a 234509	3	. Cover, Blank
16	00181354	4	. Capscrew	61	579855	1	. Wiring, Console
17	201570	4	. Washer	62	580119	1	. Decal
18	224222	4	. Vibration Dampener	63	R840286	2	. Louver
19	230096	4	. Capscrew	64	241353	2	. Hose Assembly
20	00106268	8	. Washer	65	* 243342	1	. Pedal Assembly, Elec Throttle
21	223188	4	. Nut	68	* 245672	1	. Controller, Elec/Mech Shift
22	236503	1	. Lens, Reducer	69	231338	2	. Hose Assembly
23	219517	1	. Connector, Cord	70	23577	3	. Fitting
24	237346	1	. Lens, Yellow	71	233001	1	. Hose Assembly
25	234495	8	. Capscrew	72	* 235218	1	. Steering Unit
26	227374	4	. Connector, Cord	73	234393	1	. Check Valve
27	226049	2	. Connector, Cord	74	209486	1	. Fitting
28	578958	1	. Wire Harness, Lower Console	75	578588	1	. Angle
29	227023	1	. Knockout Plate	76	234177	8	. Capscrew
30	223759	2	. Connector, Cord	77	00103319	8	. Washer
31	223645	4	. Nut	78	240142	2	. Capscrew
32	00103338	8	. Washer	79	579856	1	. Wire Harness, Throttle
33	236488	2	. Switch, On/Off/On	80	574813	1	. Plate, Cover
34	22628	2MT	. Rail, Din	81	236504	1	. Lens, Green
35	232969	4	. Capscrew	82	234757	2	. Capscrew
36	236924	87	. Terminal Block	83	R13811189	2	. Nut
37	236925	2	. End Plate	84	568288	1	. Mounting Plate
38	236926	24	. Jumper, Horizontal	85	* 579850	1	. Junction Box Assembly
39	R10547	1	. Buzzer	87	234740	1	. Frame
40	207155	1	. Switch, Ignition w/Keys	88	580120	1	. Decal
41	505158	1	. Decal	89	576690	1	. Decal
42	234739	1	. Dimmer Switch, 17W	90	546943	1	. Decal
43	578489	1	. Plate				
44	578506	1	. Plate				
45	243472	2	. Symbol, Switch				
46	234736	2	. Switch, 24V				

* See Separate Coverage

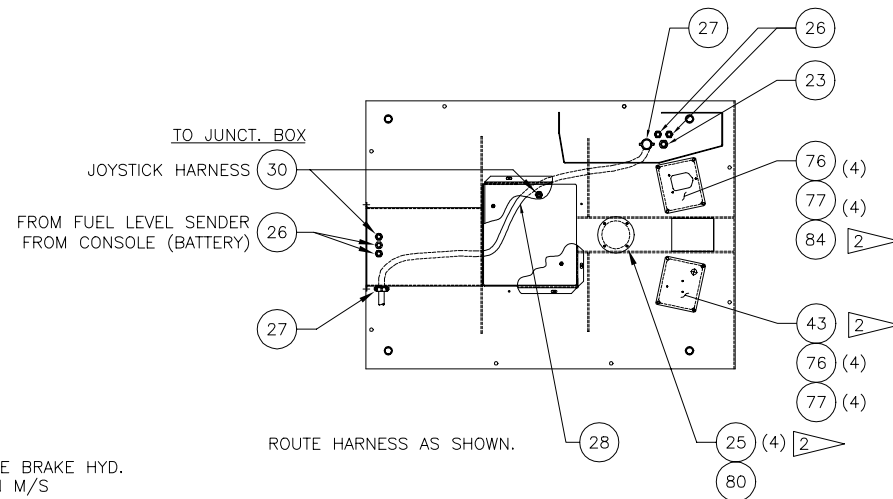
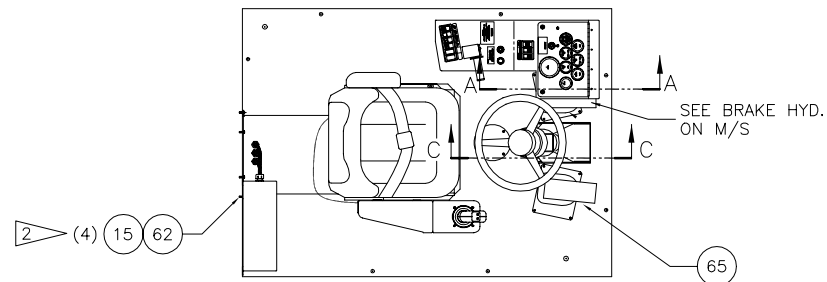
*a Machines with Bucket Detent shipped without these parts

3 HOSE COLOR CODE CHART STEERING MODULE PORT LOCATIONS

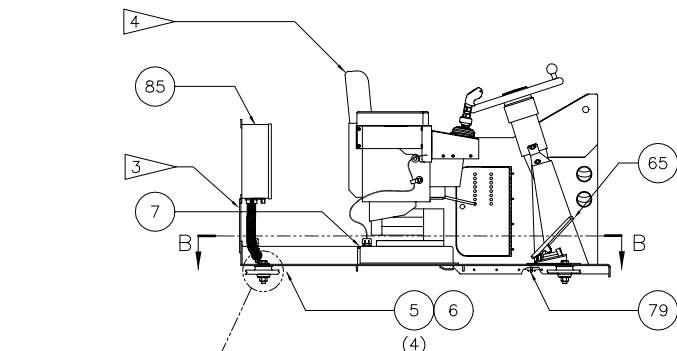
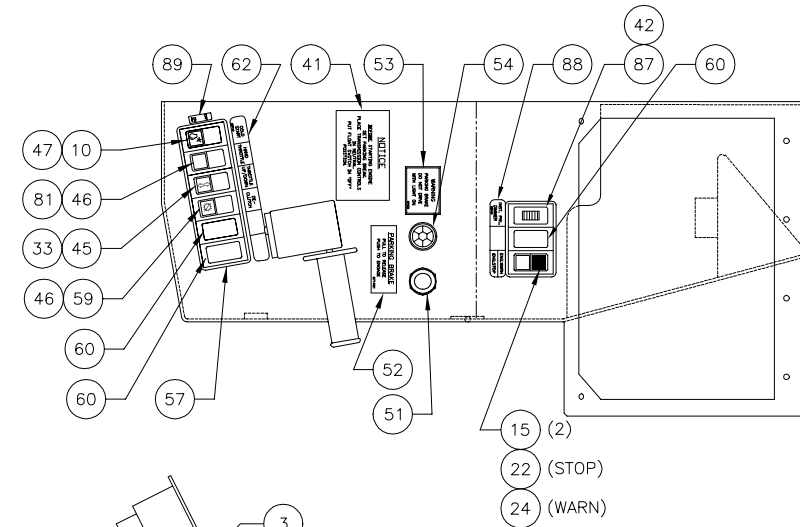
VALVE PORT	HOSE COLOR CODE	ITEM NO.
P	YELLOW	69
T	BLUE	64
R	GREEN	69
L	GRAY	64
LS	-	71



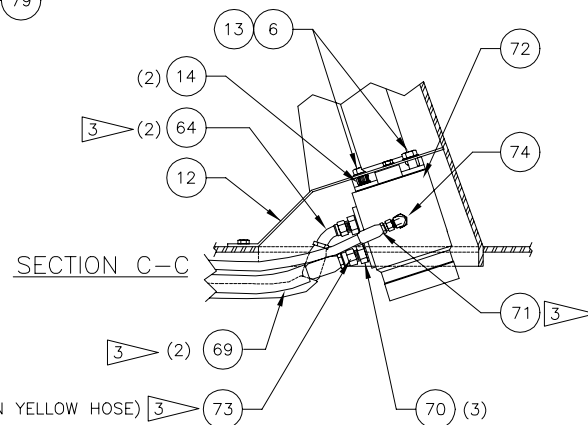
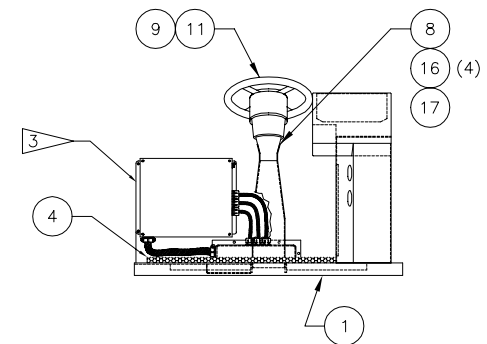
ROUTE FLAT AGAINST CAB BOTTOM OVER HINGE.



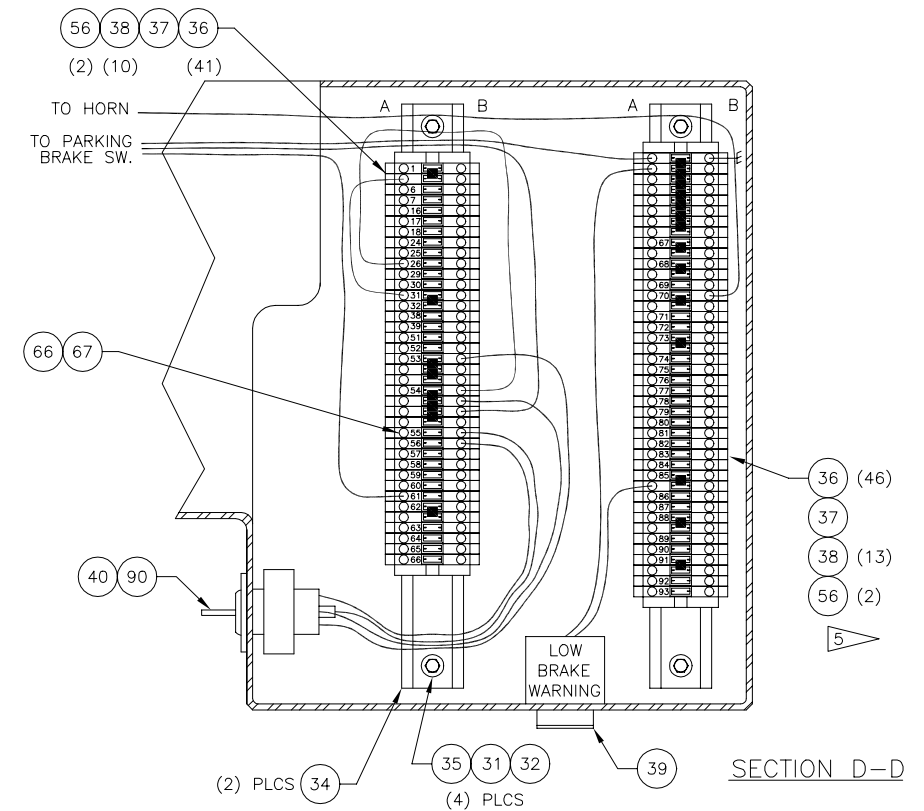
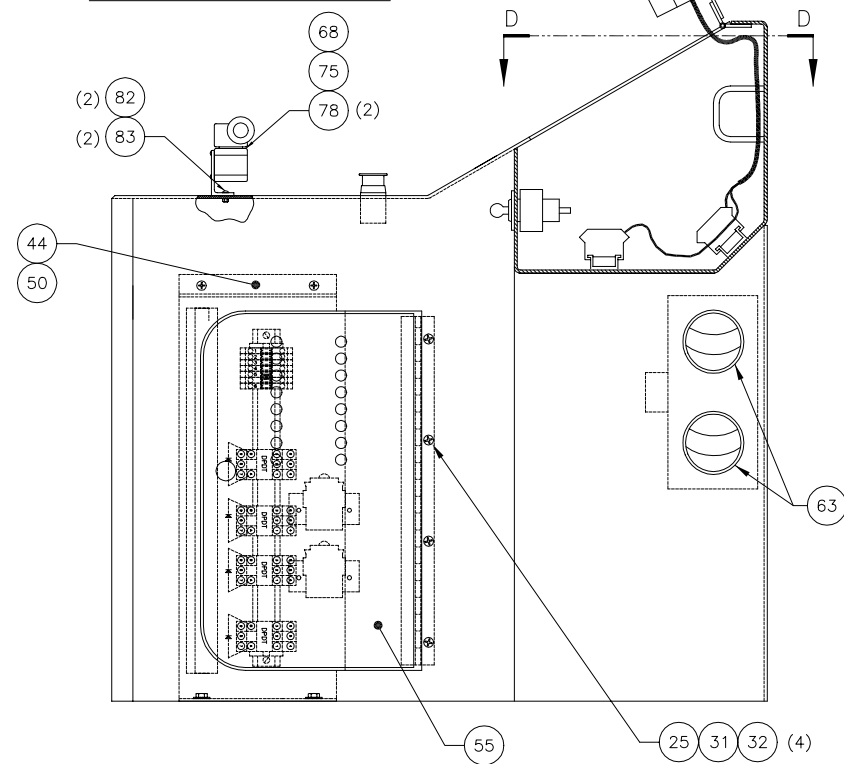
FLOOR PLATE SECTION B-B
CUTOUT DESIGNATIONS



DETAIL A
TYP. (4) PLCS.



CONSOLE SECTION A-A



NOTES:

- 1 TORQUE BOLTS TO 195 FT LBS.
- 2 SEAL W/ SILICON SEALER
- 3 TEMPORARILY SUPPORT ITEM 85 WHILE TERMINATING ITEM 58. ONCE WIRING IS COMPLETE LAY JUNCTION BOX ON COWL FLOOR IN PREPARATION FOR MATING TO CAB ASS'Y;
- 4 SEE M/S FOR SEAT INSTALLATION;
- 5 SEE WIRING DIAGRAM ON M/S FOR DETAILS;