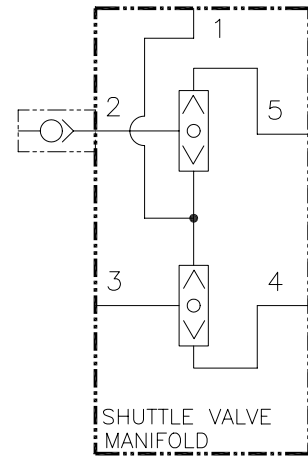
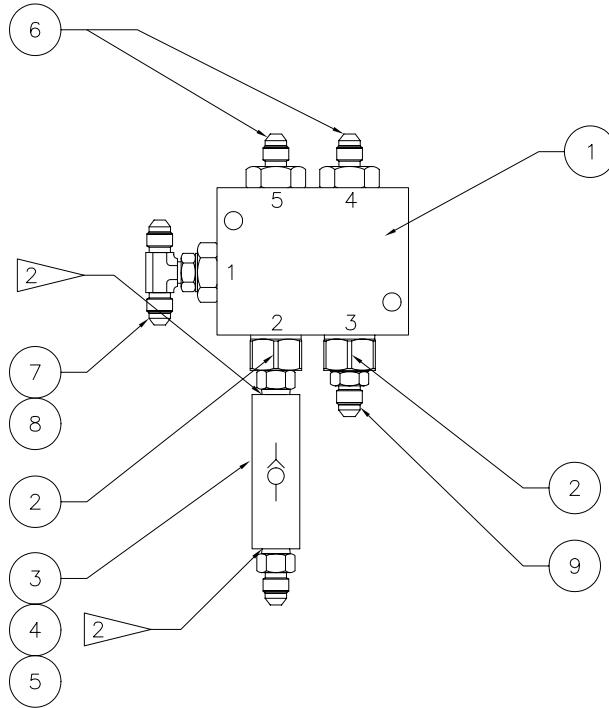


Shuttle Manifold Assembly

NOTES:

2 APPLY PIPE THREAD SEALANT



| Item | Part No. | Qty | Description | Item | Part No. | Qty | Description |
|------|---------------|-----|----------------------------------|------|----------|-----|-------------|
| | 579803 | | Shuttle Manifold Assembly | | | | |
| 1 | 579114 | 1 | . Manifold | 6 | 224774 | 2 | . Fitting |
| 2 | 229042 | 2 | . Cartridge, Valve | 7 | 14699 | 1 | . Fitting |
| 3 | 20821 | 1 | . Check Valve | 8 | 218666 | 1 | . Fitting |
| 4 | 225104 | 1 | . Fitting | 9 | 209083 | 1 | . Fitting |
| 5 | 209752 | 1 | . Fitting | | | | |