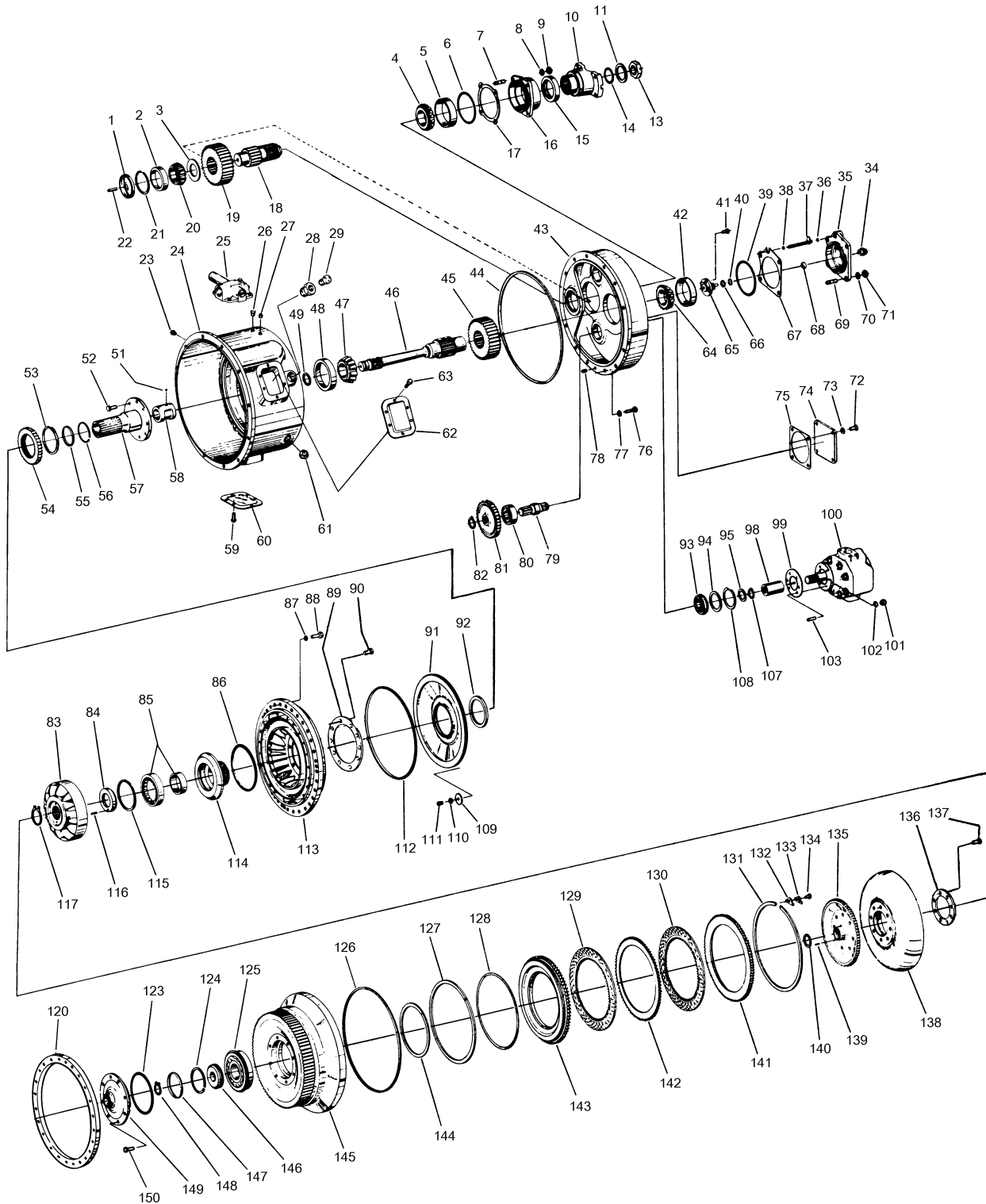

Torque Converter

Torque Converter



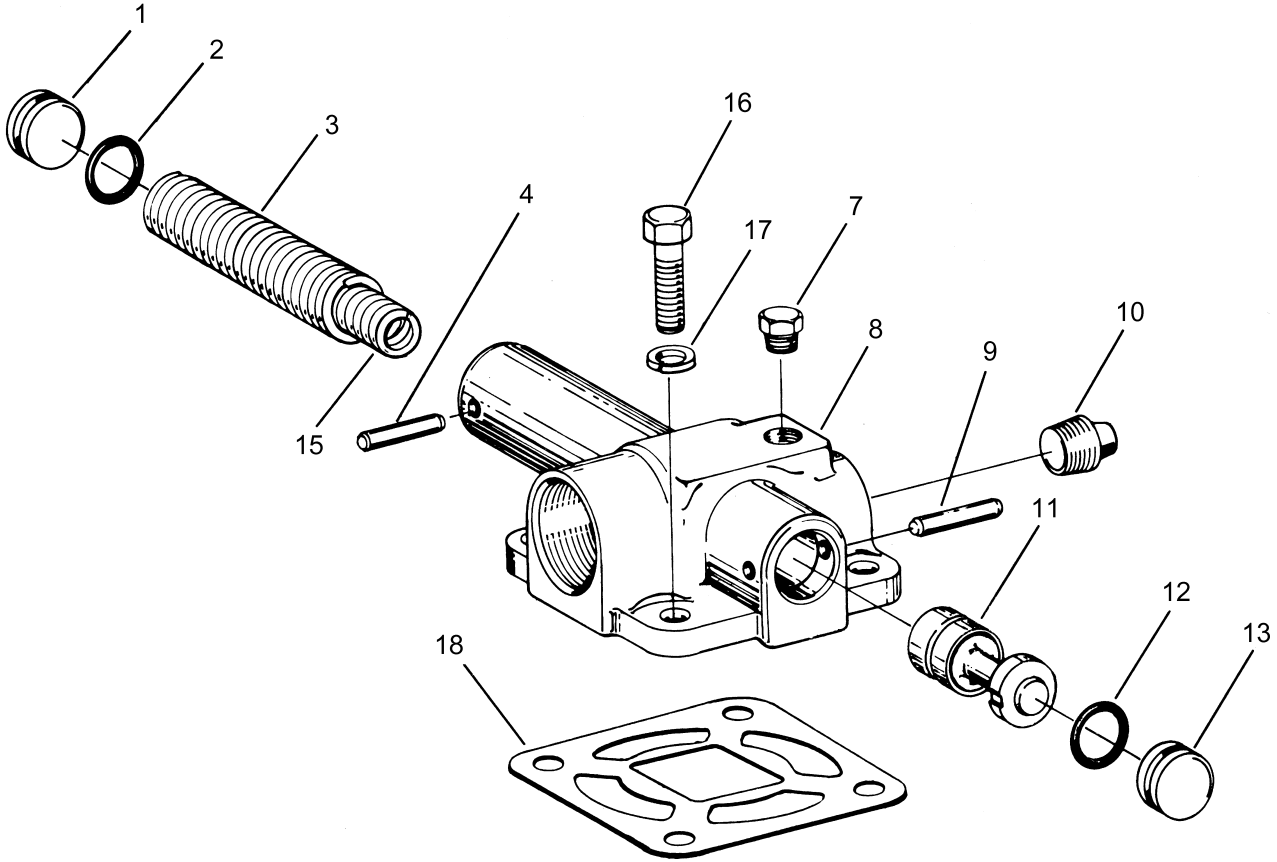
| Item | Part No. | Qty | Description | Item | Part No. | Qty | Description |
|------|---------------|-----|-------------------------|------|-----------|-----|--------------|
| | 579471 | | Torque Converter | | | | |
| 1 | 212431 | 1 | . Oil Baffle | 8 | R13800830 | 4 | . Lockwasher |
| 2 | 212432 | 1 | . Bearing Cup | 9 | 219662 | 4 | . Nut |
| 3 | 212433 | 1 | . Bearing Cone | 10 | 212252 | 1 | . Flange |
| 4 | 212434 | 1 | . Bearing cone | 11 | 212254 | 1 | . Washer |
| 5 | 203110 | 1 | . Bearing Cup | 13 | R215634 | 1 | . Nut |
| 6 | 236880 | 1 | . O-Ring | 14 | 236880 | 1 | . Washer |
| 7 | 241146 | 4 | . Stud | 15 | 212250 | 1 | . Oil Seal |

Torque Converter (Cont.)

| Item | Part No. | Qty | Description | Item | Part No. | Qty | Description |
|------|---------------|-----|------------------------------------|------|-----------|-----|----------------------|
| | 579471 | | Torque Converter (Cont.) | | | | |
| 16 | 214844 | 1 | . Bearing Cap | 82 | 234564 | 3 | . Snap Ring |
| 17 | 212443 | A/R | . Shim | 83 | 212525 | 1 | . Reaction Member |
| | 212444 | A/R | . Shim | 84 | 212507 | 1 | . Spacer |
| | 212445 | A/R | . Shim | 85 | R4095379 | 1 | . Bearing |
| 18 | 212446 | 1 | . Shaft, Output | 86 | R13803663 | 1 | . O-Ring |
| 19 | 212447 | 1 | . Gear | 87 | R13800829 | 32 | . Lockwasher |
| 20 | 230405W | 1 | . Bearing Cone | 88 | 233080 | 32 | . Screw |
| 21 | 212450 | 1 | . Snap Ring | 89 | 236079 | 1 | . Backing Ring |
| 22 | 212451 | 1 | . Tube | 90 | 233079 | 8 | . Screw |
| 23 | 212401 | 1 | . Plug | 91 | 212502 | 1 | . Oil Baffle |
| 24 | 222444 | 1 | . Housing | 92 | 222453 | 1 | . Oil Seal |
| 25 | 212545 | 1 | . Valve, Press. Reg. (See Page 4) | 93 | 234905 | 3 | . Bearing |
| 26 | R290602 | 1 | . Plug | | 234903 | 3 | . Spacer |
| 28 | 209510 | 1 | . Bushing | 94 | 212500 | 3 | . Washer, Outer |
| 29 | R233598 | 1 | . Breather | 95 | 212499 | 3 | . Washer, Inner |
| 34 | 233086 | 1 | . Nut | 98 | 539968 | 1 | . Sleeve Assembly |
| 35 | 216508 | 1 | . Retainer | | 238112 | 1 | . Snap Ring |
| 36 | 212456 | 1 | . O-Ring | 99 | R235961 | 1 | . Gasket, Pump |
| 37 | 212457 | 1 | . Tube | 100 | 222452 | 1 | . Charging Pump |
| 38 | 212456 | 1 | . O-Ring | 101 | R13803692 | 5 | . Nut |
| 39 | 212458 | 1 | . O-Ring | 102 | 200602 | 5 | . Lockwasher |
| 40 | 200390 | 1 | . Ring | 103 | 233078 | 6 | . Stud |
| 41 | 236654 | 1 | . Screw | 107 | R224039 | 3 | . Snap Ring |
| 42 | 236878 | 1 | . Bearing Cup | 108 | 212493 | 3 | . Snap Ring |
| 43 | 227811 | 1 | . Cover, Rear | 109 | 212531 | 3 | . Washer |
| 44 | 212460 | 1 | . O-Ring | 110 | 236655 | 3 | . Lockwasher |
| 45 | 212447 | 1 | . Gear | 111 | 16597W | 3 | . Screw |
| 46 | 212468 | 1 | . Shaft, Turbine | 112 | R13813011 | 1 | . O-Ring |
| 47 | 212469 | 1 | . Bearing Cone | 113 | 235675 | 1 | . Impeller |
| 48 | 212470 | 1 | . Bearing Cup | 114 | 236078 | 1 | . Impeller Hub |
| 49 | 212471 | 1 | . Ring | 115 | 212527 | 1 | . Snap Ring |
| 51 | 212358 | 1 | . Ball | 116 | 212526 | 1 | . Roll Pin |
| 52 | 237295 | 8 | . Screw | 117 | 212283 | 1 | . Snap Ring |
| 53 | 212472 | 1 | . Snap Ring | 120 | R4095404 | 1 | . Backing Plate |
| 54 | 234904 | 1 | . Gear | 123 | R13803660 | 1 | . O-Ring |
| 55 | 222447 | 1 | . Spring | 124 | 222457 | 1 | . Piston Ring |
| 56 | R4095359 | 1 | . Ring | 125 | R4095407 | 1 | . Bearing |
| 57 | 212474 | 1 | . Support (Includes items 51 & 58) | 126 | 214760 | 1 | . O-Ring |
| 58 | 212475 | 1 | . Sleeve | 127 | 217600 | 1 | . Ring |
| 59 | 200303 | 4 | . Screw | 128 | 217601 | 1 | . O-Ring |
| | 200602 | 4 | . Lockwasher | 129 | 214850 | 1 | . Disc, Inner |
| 60 | 212477 | 2 | . Cover | 130 | 214850 | 1 | . Disc, Inner |
| 61 | 233087 | 4 | . Plug | 131 | 214851 | 1 | . Snap Ring |
| 62 | 212477 | 1 | . Cover | 132 | 214858 | 1 | . Lock Plate |
| 63 | 200303 | 2 | . Screw | 133 | 214859 | 1 | . Lock Plate |
| | 200602 | 2 | . Lockwasher | 134 | 214860 | 1 | . Screw |
| 64 | 212434 | 1 | . Bearing Cone | 135 | 214861 | 1 | . Hub |
| 65 | 216507 | 1 | . Drive Adaptor | 136 | 233084 | 1 | . Backing Ring |
| 66 | 200390 | 1 | . Ring | 137 | 233081 | 8 | . Screw |
| 67 | 212482 | A/R | . Shim | 138 | 212510 | 1 | . Turbine |
| | 212483 | A/R | . Shim | 139 | 212523 | 2 | . Dowel Pin |
| | 212484 | A/R | . Shim | 140 | 212511 | 1 | . Snap Ring |
| 68 | 216509 | 1 | . Oil Seal | 141 | 214862 | 1 | . Backing Plate |
| 69 | 241146 | 4 | . Stud | 142 | 214863 | 1 | . Disc, Outer |
| 70 | R13800830 | 4 | . Lockwasher | 143 | 214864 | 1 | . Piston |
| 71 | 219662 | 4 | . Nut | 144 | 214865 | 1 | . Piston Ring, Inner |
| 72 | 219725 | 8 | . Screw | 145 | 214866 | 1 | . Impeller Cover |
| 73 | R13800830 | 8 | . Lockwasher | 146 | 212513 | 1 | . Retainer |
| 74 | 212492 | 2 | . Cover | 147 | 222458 | 1 | . Spring |
| 75 | 505499 | 2 | . Gasket | 148 | 212514 | 1 | . Snap Ring |
| 76 | 214234 | 12 | . Screw | 149 | 212519 | 1 | . Bearing Cap |
| 77 | R13800829 | 12 | . Lockwasher | | 218431 | 1 | . Sleeve |
| 78 | 212486 | 1 | . Dowel Pin | 150 | 212518 | 8 | . Capscrew |
| 79 | 234901 | 3 | . Drive Shaft | | | | |
| 80 | 212489 | 3 | . Bearing | | | | |
| 81 | 234902 | 3 | . Gear | | | | |

A/R As Required

Torque Converter



| Item | Part No. | Qty | Description | Item | Part No. | Qty | Description |
|------|---------------|-----|---------------------------------|------|----------|-----|---------------|
| | 212545 | | Pressur Regulating Valve | | | | |
| 1 | 212546 | | . Piston Stop | 11 | 219787 | | . Piston |
| 2 | 234586 | | . O-Ring | 12 | 234586 | | . O-Ring |
| 3 | 212547 | | . Spring | 13 | 212546 | | . Piston Stop |
| 4 | 212548 | | . Roll Pin | 15 | 212533 | | . Spring |
| 7 | R290602 | | . Plug | 16 | 200566 | | CapscREW |
| 8 | 233089 | | . Valve Body | 17 | 200603 | | Lockwasher |
| 9 | 212548 | | . Roll Pin | 18 | 212552 | | Gasket |
| 10 | 216672 | | . Plug | | | | |