

---

Transmission

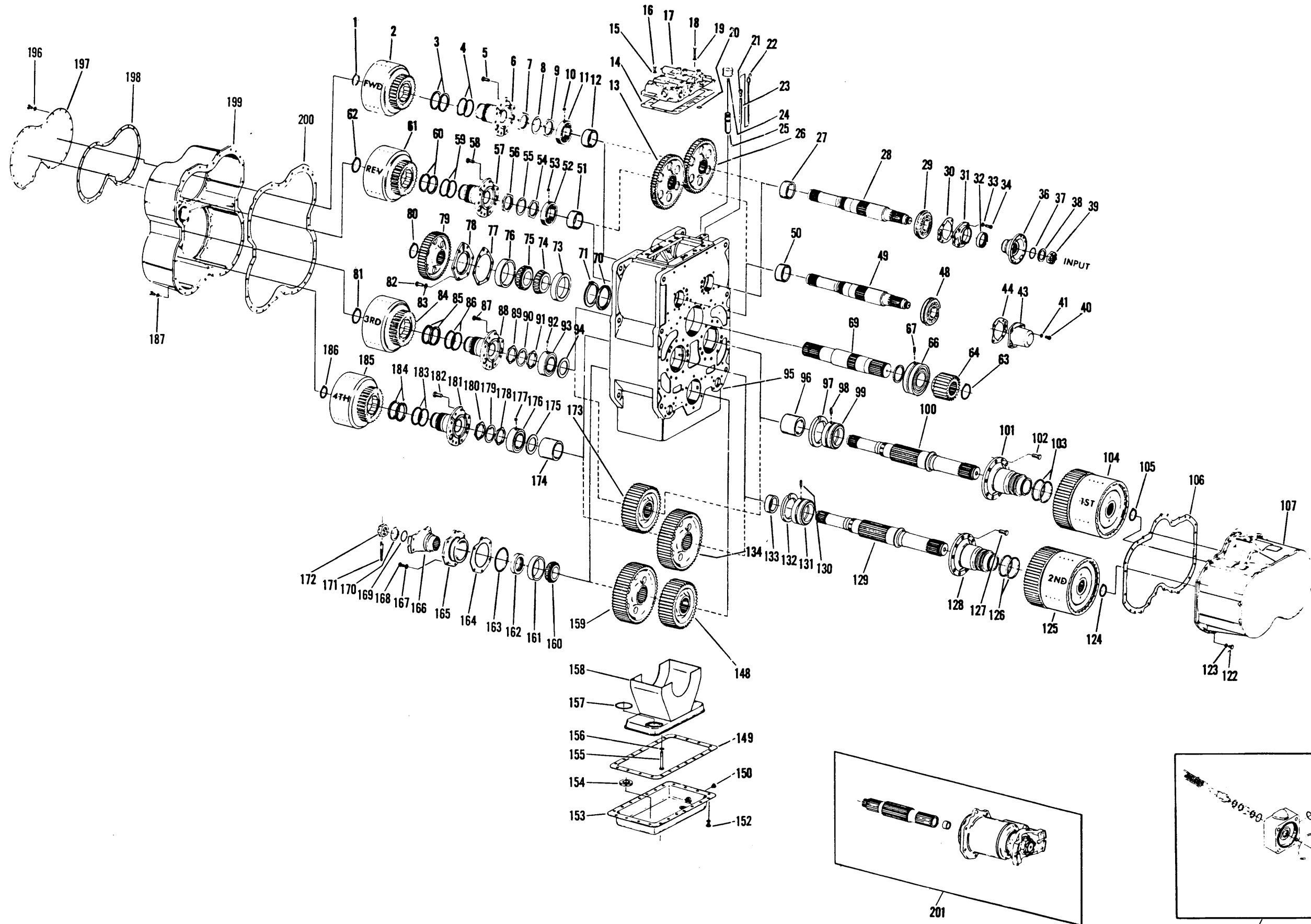
# Transmission

Item	Part No.	Qty	Description	Item	Part No.	Qty	Description
	<b>579433</b>		<b>Transmission</b>				
1	234564	1	. Ring, Snap	73	247045	1	. Idler Bearing Cup
2	247038	1	. Input Clutch -See Page 6	74	247046	1	. Idler Bearing Cone
3	221130	2	. Spring	75	247046	1	. Idler Bearing Cone
4	221129	2	. Ring	76	247045	1	. Idler Bearing Cone
5	237295	8	. Capscrew	77	247047	AR	. Bearing Cap Shim
6	222866	1	. Support, Clutch	77A	247048	AR	. Bearing Cap Shim
7	200694	1	. Nut	77B	247049	AR	. Bearing Cap Shim
8	200696	1	. Locknut	78	247050	1	. Idler Bearing Cap
9	200694	1	. Nut	79	247051	1	. Idler Gear
10	214779	1	. Ball, Steel	80	247052	1	. Idler Gear Snap Ring
11	247036	1	. Roller Bearing	81	234564	1	. Ring, Snap
12	212232	1	. Spacer	82	212251	6	. Capscrew
13	217528	1	. Gear	83	200604	6	. Washer, Lock
14	212234	1	. Gasket	84	247038	1	. 3rd Speed Clutch - See Pg 6
15	200603	11	. Lockwasher	85	221130	2	. Spring
16	223089	11	. Capscrew	86	221129	2	. Ring
17	240797	1	. Valve Assy - See Page 10	87	237295	8	. Capscrew
18	212236	2	. Capscrew	88	222866	1	. Support, Clutch
19	200603	2	. Lockwasher	89	200694	1	. Nut
20	212237	8	. O-Ring	90	200696	1	. Locknut
21	217527	1	. Dipstick Hsg Assy	91	200694	1	. Nut
22	214766	1	. Dipstick	92	214779	1	. Ball, Steel
23	214767	1	. Tube, Dipstick	93	212272	1	. Bearing
24	214768	1	. Fitting	94	212273	1	. Spacer
25	214769	1	. Nipple, Pipe	95	247061	1	. Trans Case Assy - See Pg 5
26	217528	1	. Gear	96	212276	1	. Spacer
27	212245	1	. Spacer, Gear	97	212277	1	. Ring, Snap
28	212246	1	. Shaft, Input	98	214775	1	. Pin
29	212247	1	. Bearing	99	212278	1	. Bearing Assy
30	212248	1	. Gasket	100	241136	1	. Shaft
31	212249	1	. Bearing Cap	101	219678	1	. Clutch Supt & Plug Assy
32	212250	1	. Seal	102	238092	6	. Bolt
33	200604	5	. Lockwasher	103	219676	2	. Ring, Piston
34	212251	5	. Capscrew	103A	219677	2	. Ring
36	212252	1	. Flange, Output	104	247053	1	. 1st Speed Clutch Assy See Pg
37	212253	1	. O-Ring	105	212283	1	. Ring, Snap
38	212254	1	. Washer, Flange	106	229995	1	. Gasket
39	218486	1	. Locknut	107	245079	1	. Cover, Clutch
40	212251	5	. Capscrew	122	223217	23	. Capscrew
41	200604	5	. Lockwasher	123	247054	23	. Washer
43	212256	1	. Bearing Cap	124	212283	1	. Ring, Snap
44	212248	1	. Gasket	125	247053	1	. 2nd Spd Clutch Assy - See Pg 7
46	247037	1	. Snap Ring	126	219676	2	. Ring, Piston
48	212247	1	. Bearing	126A	219677	2	. Ring
49	247063	1	. Shaft	127	238092	9	. Bolt
50	212245	1	. Spacer, Gear	128	219678	1	. Clutch Support & Plug Assy
51	212232	1	. Spacer	129	241136	1	. Shaft
52	247036	1	. Bearing	130	214775	1	. Pin
53	214779	1	. Ball, Steel	131	212278	1	. Bearing Assy
54	200694	1	. Nut	132	212277	1	. Ring, Snap
55	200696	1	. Locknut	133	212287	1	. Spacer
56	200694	1	. Nut	134	212288	1	. Gear
57	222866	1	. Support, Clutch	148	212294	1	. Gear
58	237295	8	. Capscrew	149	212299	1	. Gasket
59	221129	2	. Ring	150	200622	2	. Plug, Pipe
60	221130	2	. Spring	152	223219	22	. Capscrew
61	247038	1	. Reverse Clutch Assy -See Pg 6	153	212297	1	. Oil Sump
62	234564	1	. Ring, Snap	154	227839	2	. Magnet
63	247039	1	. Gear Snap Ring	155	217019	4	. Capscrew
64	247041	1	. Idler Shaft Gear	156	200602	4	. Lockwasher
66	247041	1	. Idler Shaft Bearing	157	214778	1	. Gasket
67	214771	1	. Pin, Lock	158	212302	1	. Screen Assy, W/Frame
69	247042	1	. Idler Shaft	159	221134	1	. Gear
70	247043	1	. Oil Shield	160	212289	1	. Bearing Cone
71	247044	1	. Bearing Snap Ring	161	206540	1	. Bearing Cup

## Transmission (Cont.)

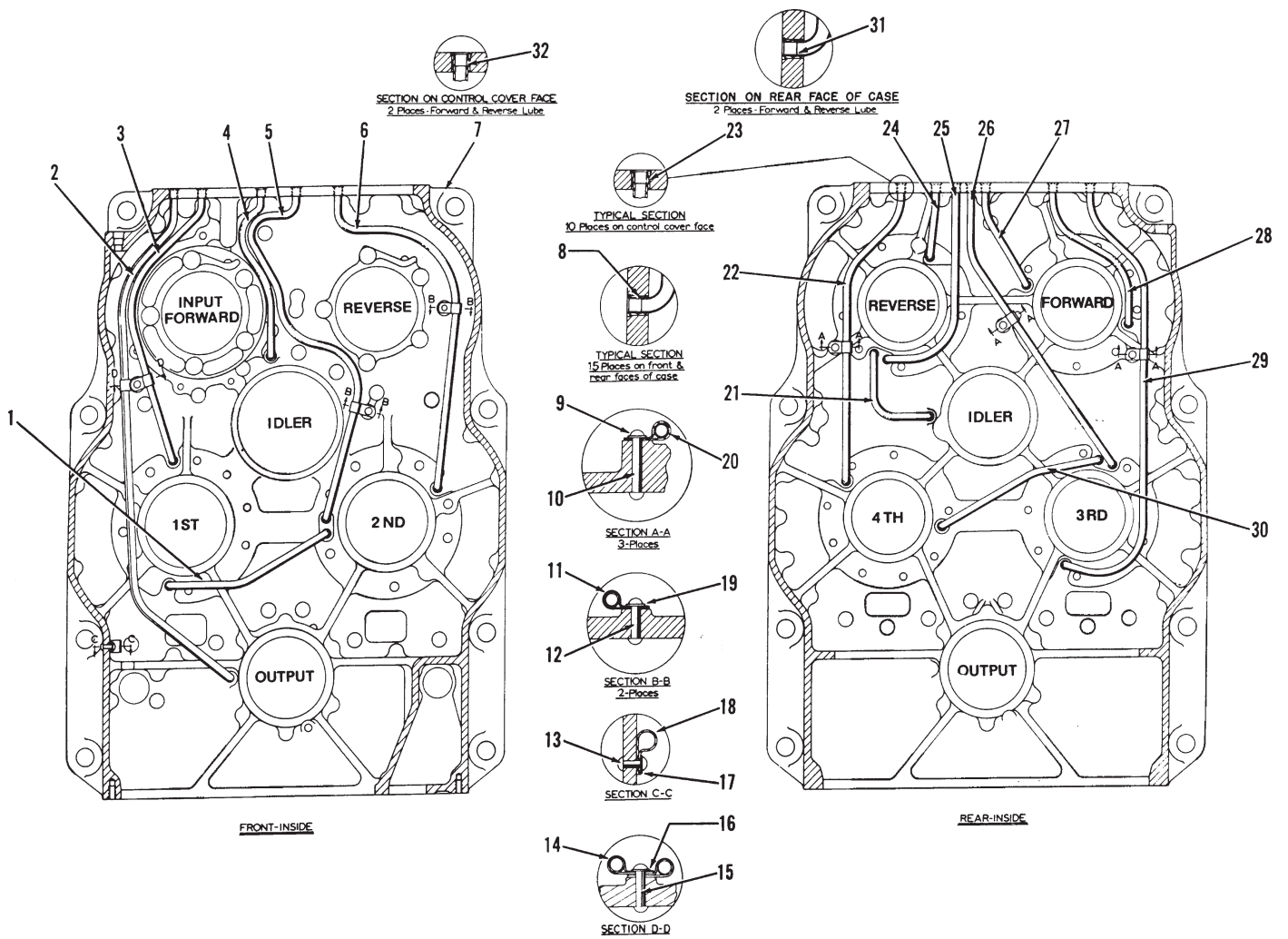
Item	Part No.	Qty	Description	Item	Part No.	Qty	Description
	<b>579433</b>		<b>Transmission (Cont.)</b>				
162	212303	1	. Seal				
163	203540	1	. O-Ring				
164	212305	AR	. Shim				
164A	212306	AR	. Shim				
164B	212307	AR	. Shim				
165	212308	1	. Cap, Flange End				
166	212309	1	. Flange				
167	200604	6	. Lockwasher				
168	200572	6	. Capscrew				
169	212310	1	. O-Ring				
170	212311	1	. Washer				
171	200616	1	. Pin, Cotter				
172	212312	1	. Nut, Slotted				
173	221135	1	. Gear				
174	212276	1	. Spacer				
175	212273	1	. Spacer				
176	212272	1	. Bearing				
177	214779	1	. Ball, Steel				
178	200694	1	. Nut				
179	200696	1	. Locknut				
180	200694	1	. Nut				
181	222866	1	. Support, Clutch				
182	237295	8	. Capscrew				
183	221129	2	. Ring				
184	221130	2	. Spring				
185	247038	1	. 4th Clutch Assy - See Pg 6				
186	234564	1	. Ring, Snap				
187	218373	33	. Capscrew				
196	218373	20	. Capscrew				
197	247055	1	. Cover Plate				
198	242551	1	. Gasket				
199	247056	1	. Cover				
200	212313	1	. Gasket				
201	- - - -	1	. Hydraulic Disconnect - See Pg 9				
202	245071	1	. Speed Sensor - See Pg 8				

AR As Required  
 NSS Not Sold Separately



---

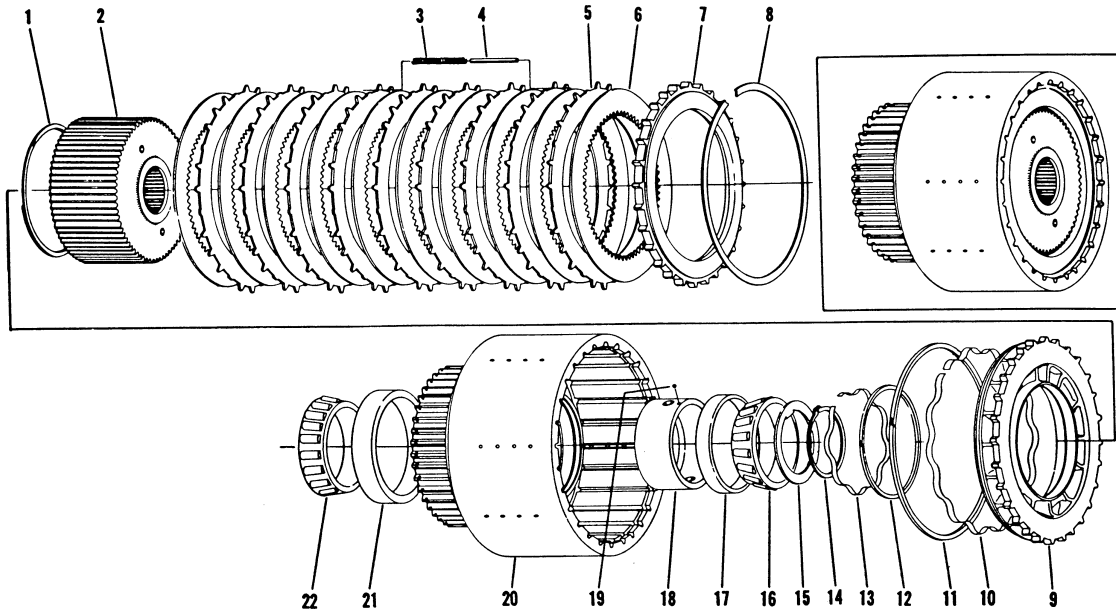
# Transmission Case Assembly



Item	Part No.	Qty	Description	Item	Part No.	Qty	Description
<b>247061 Transmission Case Assembly</b>							
1	212315	1	. Tube	18	212327	1	. Tube Clip
2	240891	1	. Tube	19	R13802621	2	. Washer
3	212316	1	. Tube	20	212323	3	. Tube Clip
4	229996	1	. Tube	21	229998	1	. Tube
5	229997	1	. Tube	22	212329	1	. Tube
6	212318	1	. Tube	23	212320	10	. Tube Sleeve
7	NSS	1	. Trans Case	24	212330	1	. Tube
8	212320	15	. Tube Sleeve	25	223222	1	. Tube
9	R13802621	3	. Washer	26	212332	1	. Tube
10	212322	3	. Rivet	27	223223	1	. Tube
11	212313	2	. Tube Clip	28	212334	1	. Tube
12	212324	3	. Rivet	29	212335	1	. Tube
13	212325	1	. Rivet	30	212336	1	. Tube
14	212323	2	. Tube Clip	31	219757	2	. Tube Sleeve
15	240892	1	. Rivet	32	219757	2	. Tube Sleeve
16	R13802621	2	. Washer				
17	R13802619	1	. Washer				

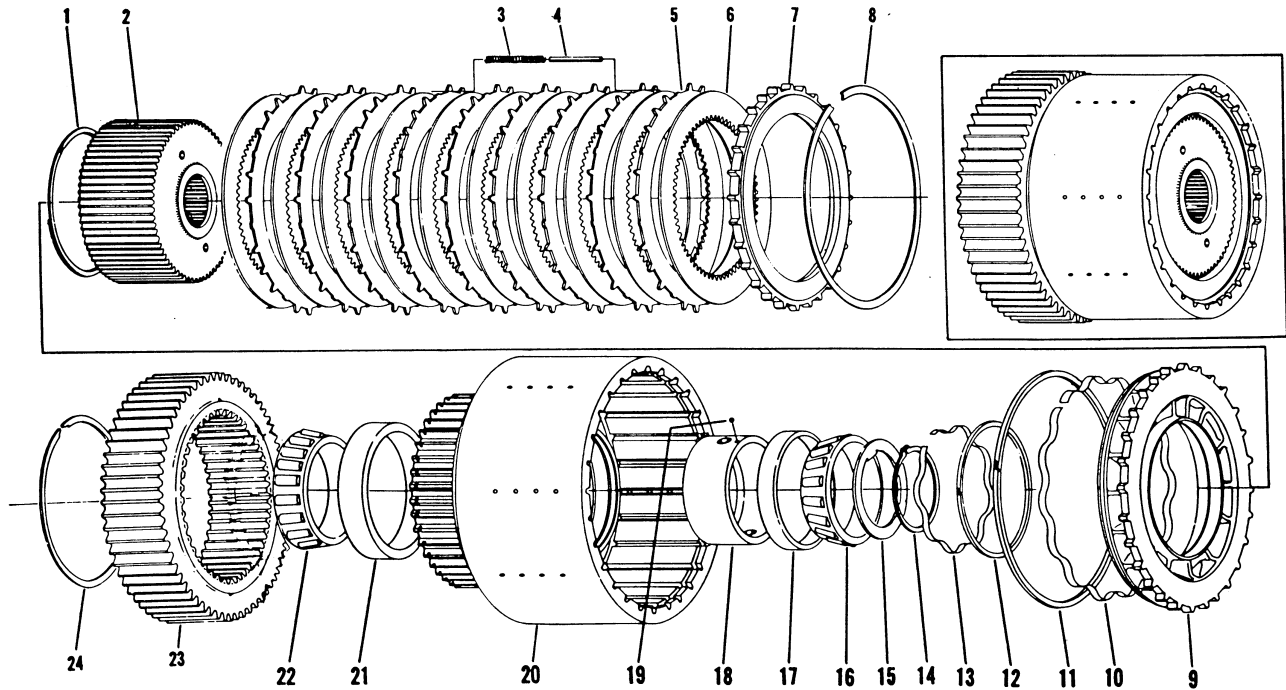
NSS Not Sold Separately

## Input, Reverse, 3rd and 4th Clutch Group



Item	Part No.	Qty	Description	Item	Part No.	Qty	Description
	<b>247038</b>		<b>Input, Rev, 3rd &amp; 4th Clutch</b>				
2	212338	1	. Disc Hub Assembly	15	232251	AR	. Washer, Keyed
3	212339	8	. Spring, Disc	15a	232252	AR	. Washer, Keyed
4	212340	8	. Pin	15b	232253	AR	. Washer, Keyed
5	212341	9	. Disc	16	240238	1	. Bearing, Roller
6	212342	10	. Disc, Inner	17	NSS		. Bearing Cup
7	212343	1	. Plate, End	18	228759	1	. Race, Piston Ring
8	212348	1	. Ring, Snap	19	212358	1	. Ball, Steel
9	212349	1	. Piston	20	222889	1	. Clutch Drum
10	247057	1	. Ring, Piston	21	222872	1	. Bearing Cup
11	247058	1	. Ring, Piston	22	222871	1	. Bearing Cone
12	R11787	1	. Ring, Piston				
13	R11786	1	. Spring				
14	232249	AR	. Ring, Snap				
14A	232250	AR	. Ring, Snap				
				AR	As Required		
				NSS	Not Sold Separately		

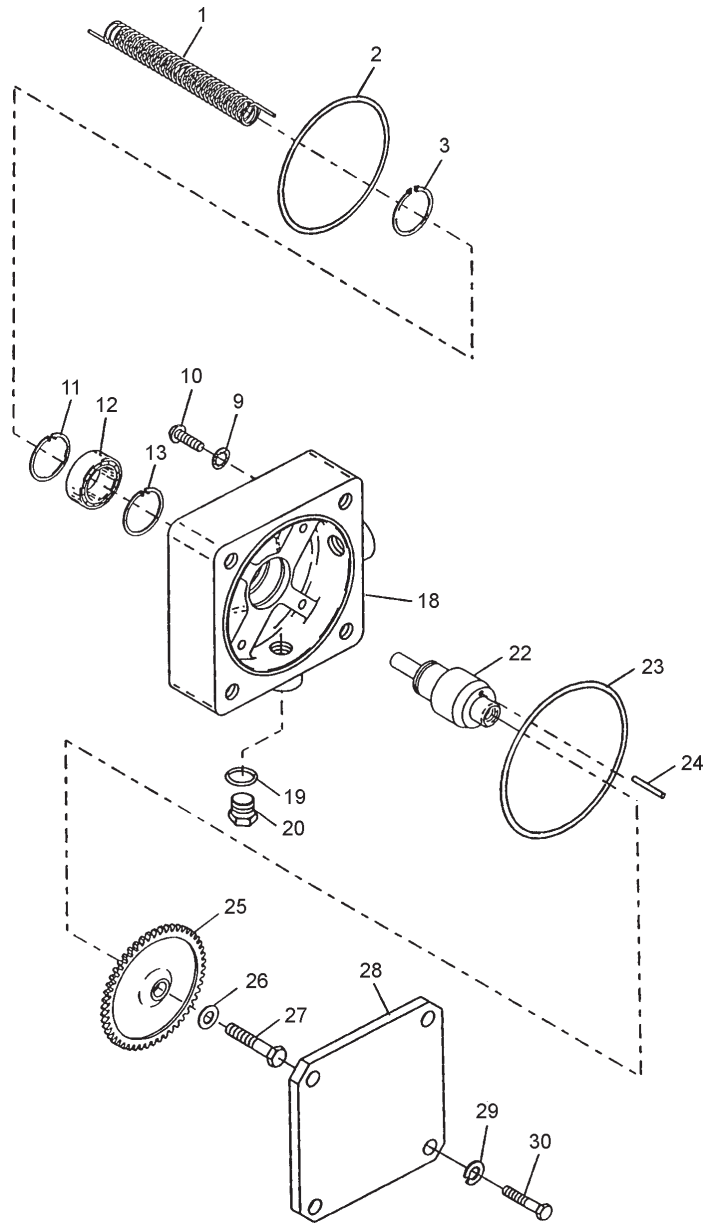
# 1st & 2nd Clutch Group



Item	Part No.	Qty	Description	Item	Part No.	Qty	Description
	<b>247053</b>		<b>1st &amp; 2nd Clutch Group</b>				
1	212362	1	. Ring	14A	219768	AR	. Washer
2	219766	1	. Hub Assy, Disc	14B	247059	AR	. Snap Ring
3	212339	7	. Spring, Disc	15	223227	1	. Washer
4	212340	7	. Pin	16	219769	1	. Bearing Cone
5	212364	9	. Disc, Outer	17	202852	1	. Bearing Cup
6	212365	10	. Disc, Inner	18	219770	1	. Race
7	212366	1	. Plate	19	212358	1	. Ball, Steel
8	212367	1	. Ring, Snap	20	219771	1	. Brake Drum
9	212368	1	. Piston	21	219772	1	. Bearing Cup
10	230001	1	. Spring, Expander	22	219773	1	. Bearing Cone
11	230002	1	. Spring, Piston	23	250855	1	. Drum Gear
12	230000	1	. Ring, Piston	24	212379	1	. Ring, Snap
13	229999	1	. Spring, Expander				
14	219767	AR	. Washer				
				AR	As Required		

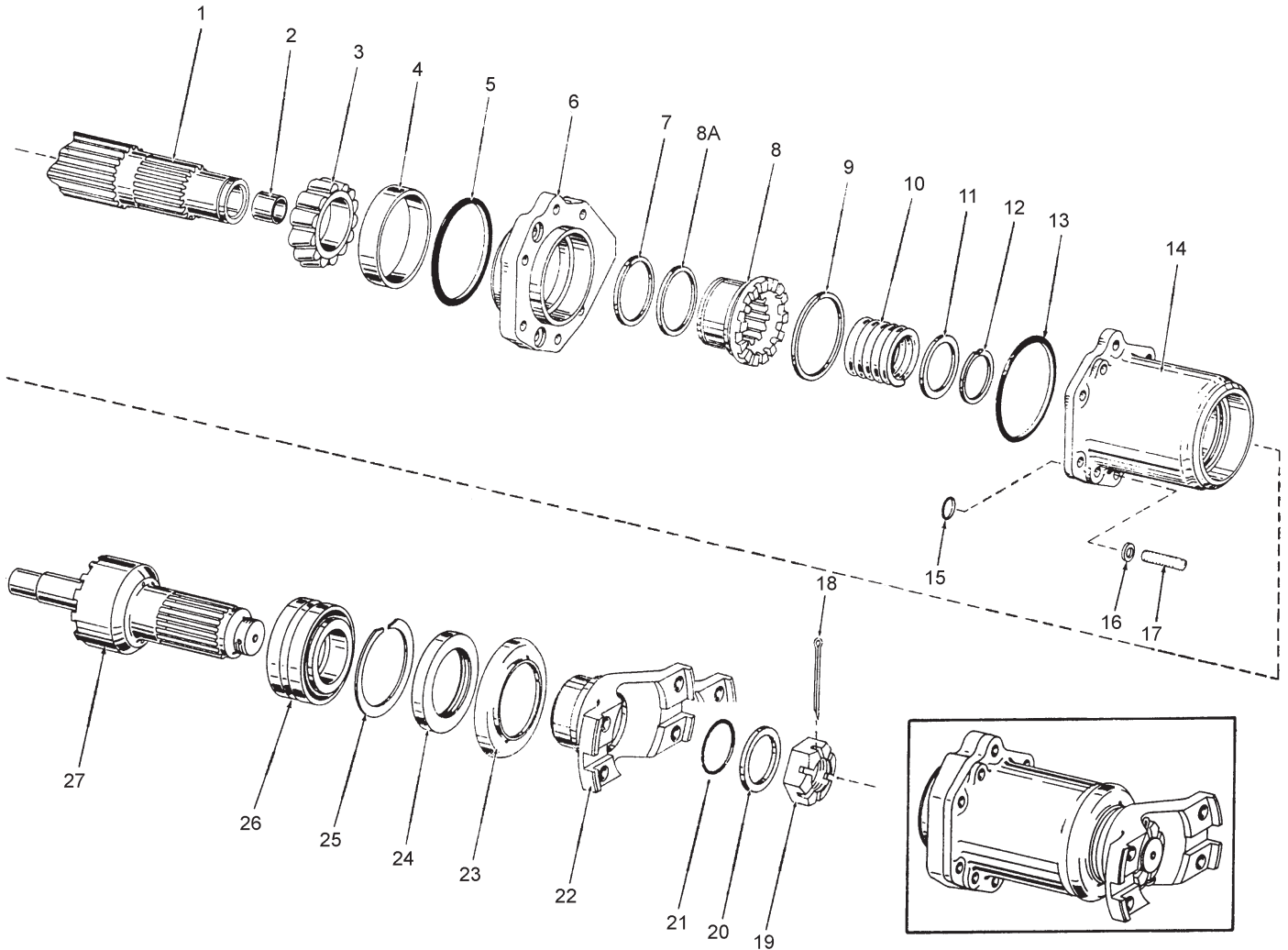


# Speed Sensor Installation



Item	Part No.	Qty	Description	Item	Part No.	Qty	Description
	<b>245071</b>		<b>Speed Sensor Assembly</b>				
1	021-0294	1	. Spring, Bearing Drive	20	245075	1	. Plug
2	203535	1	. O-Ring	22	245076	1	. Drive Shaft
3	245072	1	. Snap Ring	23	203541	1	. O-Ring
9	217798	4	. Lockwasher	24	245077	1	. Pin, Spring
10	245073	4	. Capscrew	25	245078	1	. Gear
11	241548	1	. Snap Ring	26	218433	1	. Lockwasher
12	241547	1	. Bearing	27	R242046	1	. Capscrew
13	241548	1	. Snap Ring	28	212492	1	. Cover
18	245074	1	. Housing	29	200604	4	. Lockwasher
19	203431	1	. O-Ring	30	222449	4	. Capscrew

# Disconnect Assembly



Item	Part No.	Qty	Description	Item	Part No.	Qty	Description
<b>Disconnect Assembly</b>							
1	240799	1	. Output Shaft	15	*a 203435	5	. O-Ring
2	*a 212290	1	. . Bushing	16	*a 200604	6	. Lockwasher
3	*a 212289	1	. Bearing Cone	16A	205124	6	. Nut (Not Illustrated)
4	*a 206540	1	. Bearing Cup	17	240804	6	. Stud
5	*a 203540	1	. O-Ring	18	200616	1	. Cotter Pin
6	247060	1	. Adapter	19	212312	1	. Nut
7	*a 221129	1	. Piston Ring	20	212311	1	. Washer
7A	*a 221130	1	. Piston Ring Expander Ring	21	*a 203454	1	. O-Ring
8	240801	1	. Shift Hub	22	230011	1	. Flange & Deflector Assembly
8A	579094	1	. Spacer	23	230010	1	. . Deflector
9	*a 219676	1	. Piston Ring	24	*a 230009	1	. Oil Seal
9A	*a 219677	1	. Piston Ring Expander Ring	25	*a 240156	1	. Snap Ring
10	240802	1	. Spring	26	*a 240157	1	. Bearing
11	*a 240154	1	. Washer	27	240806	1	. Shaft Assembly
12	*a 240155	1	. Snap Ring				
13	*a 26273	1	. O-Ring				
14	240803	1	. Disconnect Housing				
				*a	Service Kit P/N 574042		