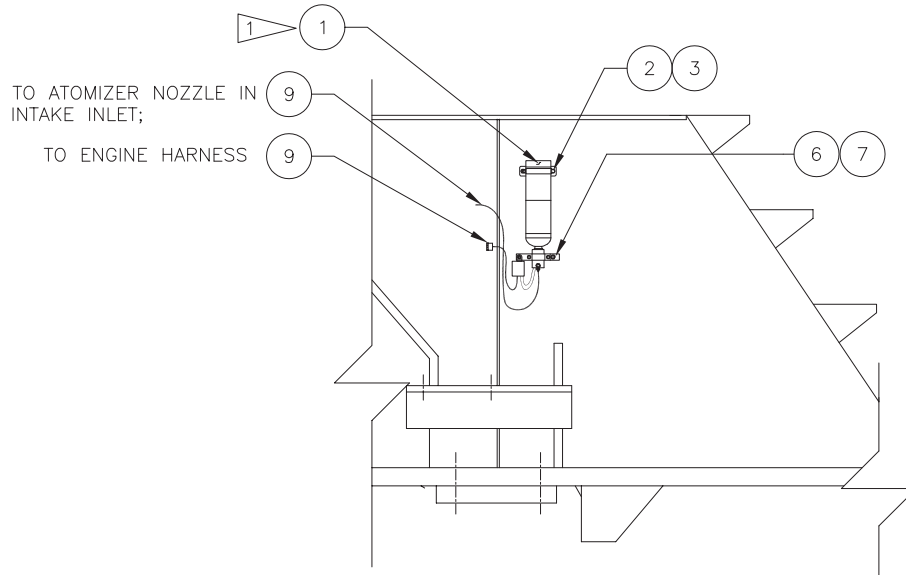
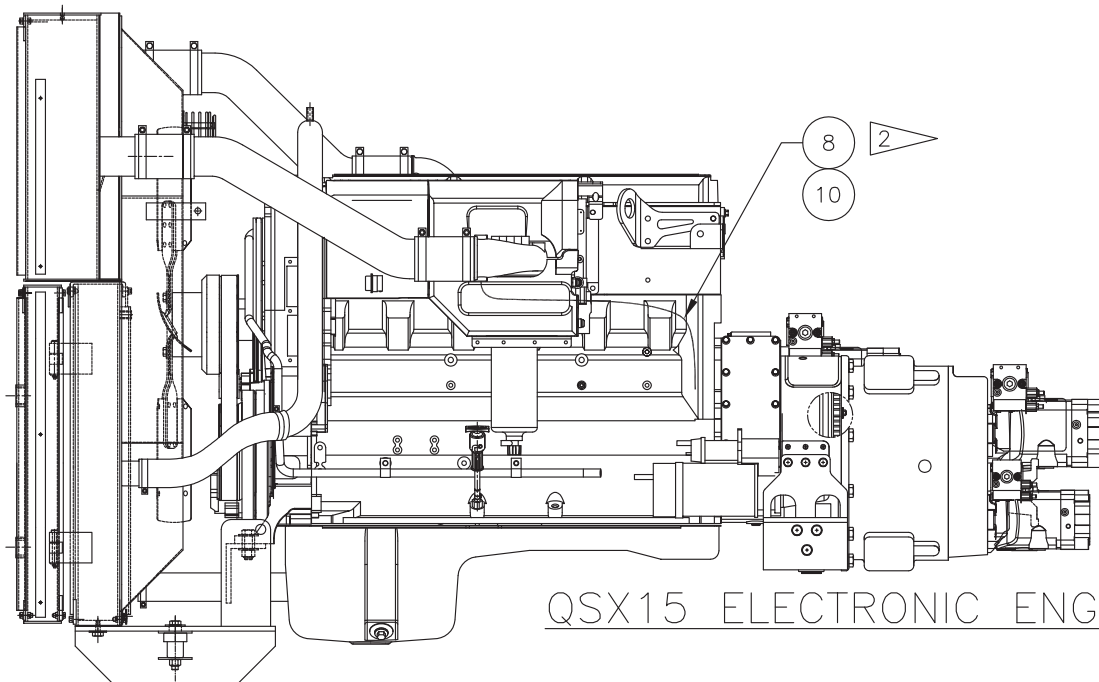


Quick Start Installation



1 MOUNT AS SHOWN AND FOLLOW MANUFACTURERS INTALLATION INSTRUCTIONS WHICH ARE INCLUDED WITH KIT.

2 ETHER START NOZZLE INSTALLED HAS METRIC THREADS. POINT NOZZLE TOWARDS ONCOMING AIR;



QSX15 ELECTRONIC ENGINE

Item	Part No.	Qty	Description	Item	Part No.	Qty	Description
	579417		Quick Start Installation				
1	247738	1	. Kit, Quick Start	7	221763W	2	. Hard Washer
2	R13811464	2	. Nut, Lock	8	553687	1	. Tube
3	R13802914	2	. Hard Washer	9	579533	1	. Wire Harness
6	R13811463	2	. Nut, Lock	10	219389	1'	. Loom, Auto