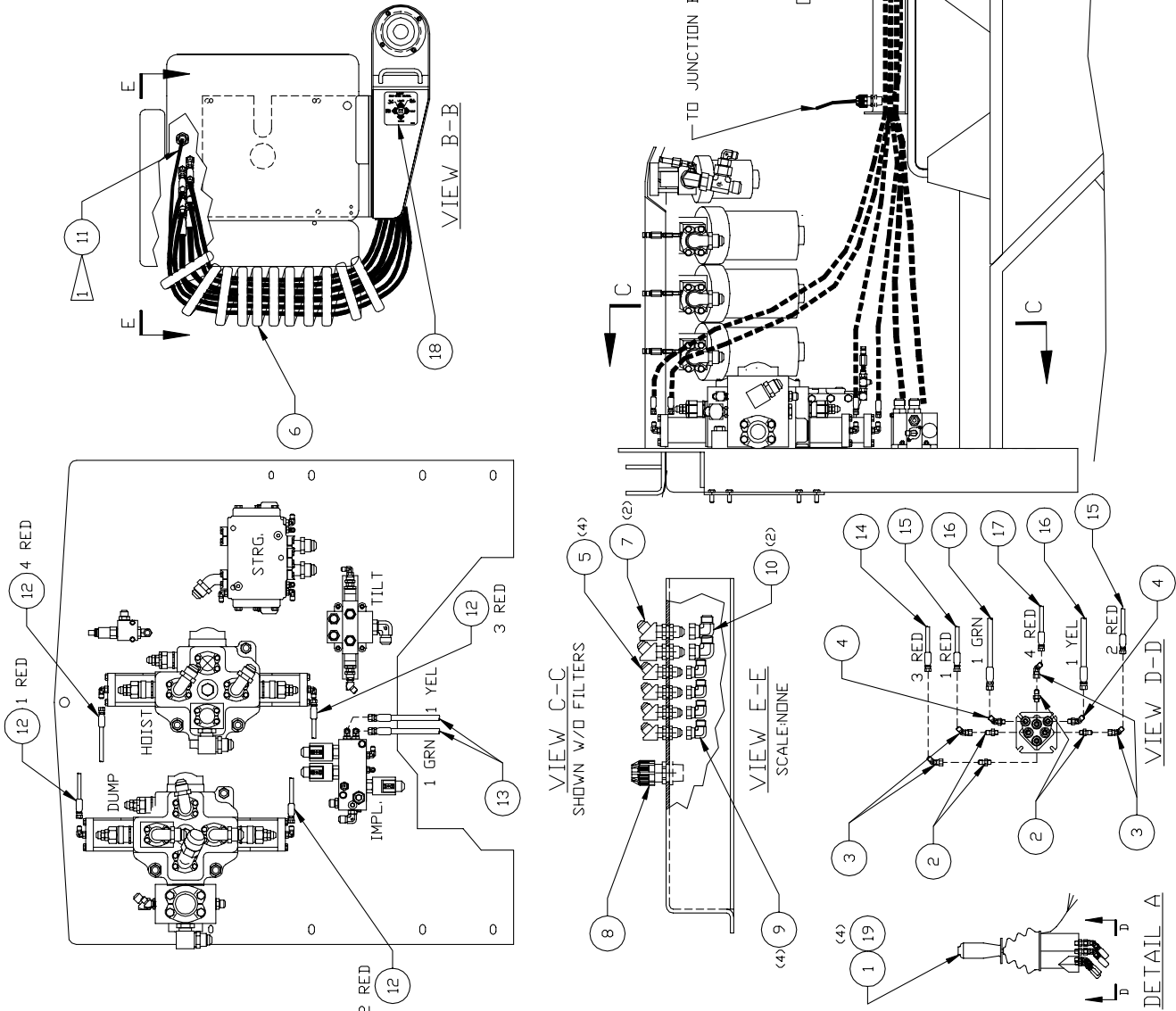


---

Implement Controls

# Implement Controls



NOTE: SEE WIRING DIAG. ON M/S FOR WIRE LOCATIONS

Item	Part No.	Qty	Description	Item	Part No.	Qty	Description
	<b>579415</b>		<b>Controls Installation,Implement</b>				
1	* 573951	1	. Valve , Control	11	579416	1	. Wire Harness
2	223929	4	. Fitting, St	12	234076	4	. Hose Assembly
3	217206	4	. Fitting, Ff	13	240502	2	. Hose Assembly
4	209482	2	. Fitting, Ff	14	227473	1	. Hose Assembly
5	16888	4	. Fitting, Ff	15	247733	2	. Hose Assembly
6	R14766	2	. Spirap	16	247735	2	. Hose Assembly
7	R14398	2	. Fitting, Ff	17	247734	1	. Hose Assembly
8	219517	1	. Connector, Cord	18	557609	1	. Decal
9	212718	4	. Fitting, El	19	240142	4	. Capscrew
10	211561	2	. Fitting, El				* See Separate Coverage