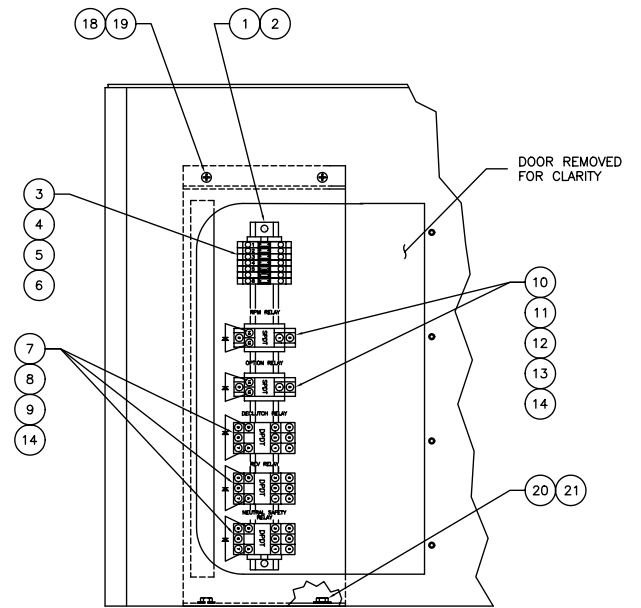
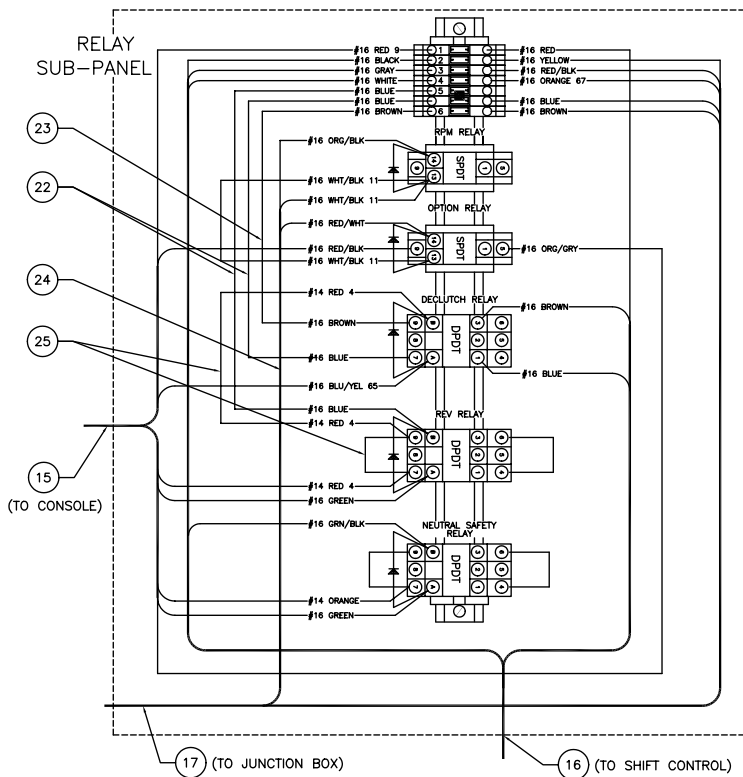


Sub-Panel Assembly



Item	Part No.	Qty	Description	Item	Part No.	Qty	Description
	579119		Sub-Panel Assembly,Relay				
1	22628	1MT	. Rail, DIN	13	238891	2	. Relay
2	00100818	3	. Machine Screw	14	22635	5	. Diode
3	236924	7	. Terminal Block	15	578521	1	. Wire Harness
4	236925	1	. End Plate	16	578522	1	. Wire Harness
5	236926	1	. Jumper, Horizontal	17	578523	1	. Wire Harness
6	241761	2	. End Stop	18	234495	2	. Capscrew
7	232909	3	. Relay Socket	19	224191	2	. Esna Nut
8	232908	3	. Relay	20	234177	2	. Capscrew
9	232910	3	. Relay Spring	21	R13811443	2	. Flat Washer
10	22632	2	. Relay Socket	22	237627	2'	. Wire
11	22639	2	. Spring, Holddown	23	219355	2'	. Wire
12	235842	4	. Clip, Holddown	24	237628	4'	. Wire
				25	219437	2'	. Wire