

---

Cowl Assembly

## Cowl Assembly

Item	Part No.	Qty	Description	Item	Part No.	Qty	Description
	<b>579105</b>		<b>Cowl Assembly</b>				
1	579106	1	. Cowl Weldment	47	23543	4	. Fitting, El
2	* 577778	1	. Seat Assembly	48	224299	1	. Switch, Master Disconnect
3	231338	2	. Hose Assembly	49	557494	1	. Decal
4	215096	1	. Belt, Safety	50	231511	4	. Hose Assembly
5	223654	4	. Nut, Esna	51	234264	1	. Control Unit
6	230282	4	. Washer, Flat	52	571461	1	. Decal
7	235038	3'	. Weatherstrip	53	571430	1	. Decal
8	* 579408	1	. Column ,Strg	54	225649	1	. Light, Reducer Panel
9	244506	1	. Steering Wheel	55	571677	1	. Decal
10	230665	2	. Capscrew	56	569024	1	. Decal
11	234651	1	. Button, Horn	57	236485	1	. Frame, Mtg
12	575038	1	. Plate, Mounting	58	234736	1	. Switch, 24V
13	201634	2	. Capscrew		234508	1	. . Socket
14	231931	2	. Capscrew		236901	1	. . .Bulb
15	234757	8	. Capscrew	59	237495	1	. Symbol, Out-Of-Gear
16	00181354	4	. Capscrew	60	234509	4	. Cover, Blank
17	201570	4	. Washer, Spring	61	573959	1	. Wiring, Console
18	224222	4	. Dampener, Vibration	62	00103339	7	. Washer, Flat
19	230096	4	. Capscrew	63	23530	1	. Fitting, St
20	00106268	4	. Washer, Flat	64	241353	2	. Hose Assembly
21	223188	4	. Nut, Esna	65	* 224174	1	. Pedal, Throttle
22	574813	1	. Plate, cover	66	574772	1	. Plate, Spacer
23	219517	1	. Connector, Cord	67	223501	1	. Capscrew
24	*579206	1	. Panel Assembly,Door	68	235620	3	. Nut, Esna
25	234495	11	. Capscrew	69	224250	1	. Cable, Push-Pull
26	227374	4	. Connector, Cord	70	245672	1	. Controller, Elec Shift
27	226049	2	. Connector, Cord	71	578588	2	. Angle
28	573954	1	. Wire Harness	72	* 235218	1	. Steering Unit
29	227023	1	. Plug, Knockout	73	234393	1	. Valve, Check
30	578584	1	. Plate	74	209486	1	. Fitting, El
31	223645	8	. Nut, Esna	75	23577	4	. Fitting, St
32	00103338	8	. Washer, Flat	76	241230	1	. Hose Assembly
33	* 573904	1	. Panel Assembly,Instru	77	578506	1	. Plate
34	22628	2m	. Rail, Din	78	* 579204	1	. Sub-Panel Assembly,Relay
35	232969	4	. Capscrew	79	240259	1	. Kit, Seatbelt Hdwe
36	236924	67	. Terminal Block	80	572606	1	. Decal
37	236925	4	. Plate, End	81	576690	1	. Decal
38	236926	14	. Jumper, Horizontal	82	237688	1	. Switch, 24V
39	R10547	1	. Buzzer	83	236504	1	. Lens, Green
40	207155	1	. Switch, Ignition W/Keys	84	234737	1	. Housing, Socket
41	575279	1	. Decal	85	234738	1	. Housing, Socket
42	224305	1	. Indicator	86	579423	1	. Wire Harness
43	558560	1	. Decal				
44	576784	2	. Plate, cover				
45	557376	4	. Washer, Flat				* See Separate Coverage
46	209085	2	. Fitting, Ff				

- 1 TORQUE BOLTS TO 195 FT LBS.
- 2 SEAL W/ SILICON SEALER
- 3 NOTE: SEE WIRING DIAG. ON M/S FOR DETAILS.
- 4 CHD-100 #253 ALSO REQUIRED  
TWO (2) MTG BRKT'S 575039

5 HOSE COLOR CODE CHART

VALVE PORT	HOSE COLOR CODE	ITEM NO.
P	YELLOW	77
T	BLUE	64
R	GREEN	77
L	GRAY	64
LS	-	76

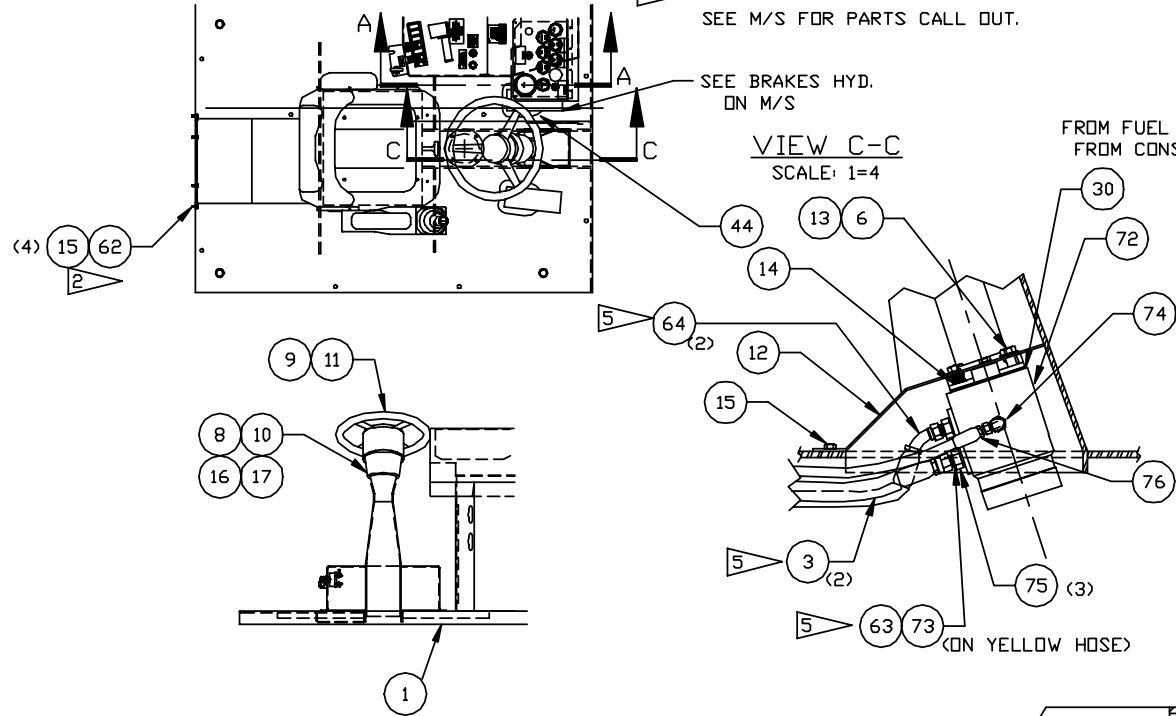
STEERING MODULE PORT LOCATIONS

ROUTE FLAT AGAINST CAB BOTTOM OVER HINGE.

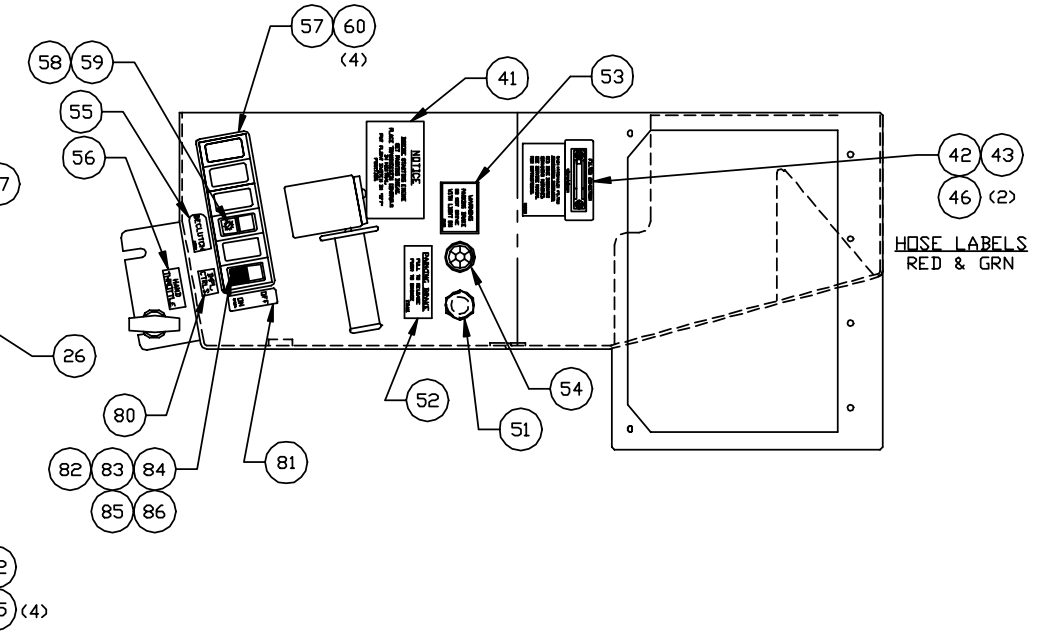
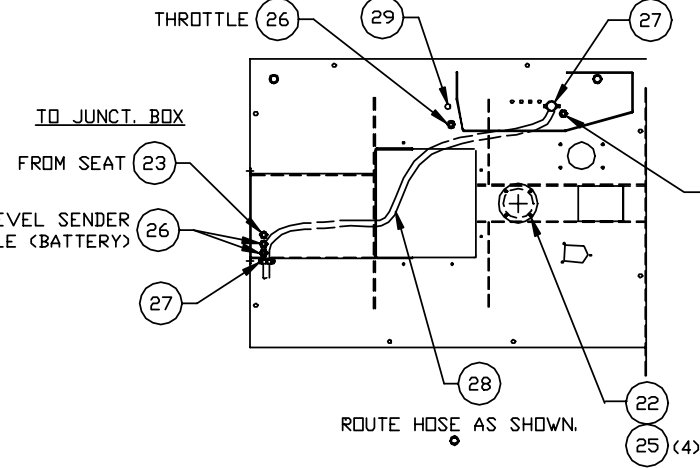
6 CHD-100 #253 USED OPTIONAL CAB SEAT  
SEE M/S FOR PARTS CALL OUT.

SEE BRAKES HYD.  
ON M/S

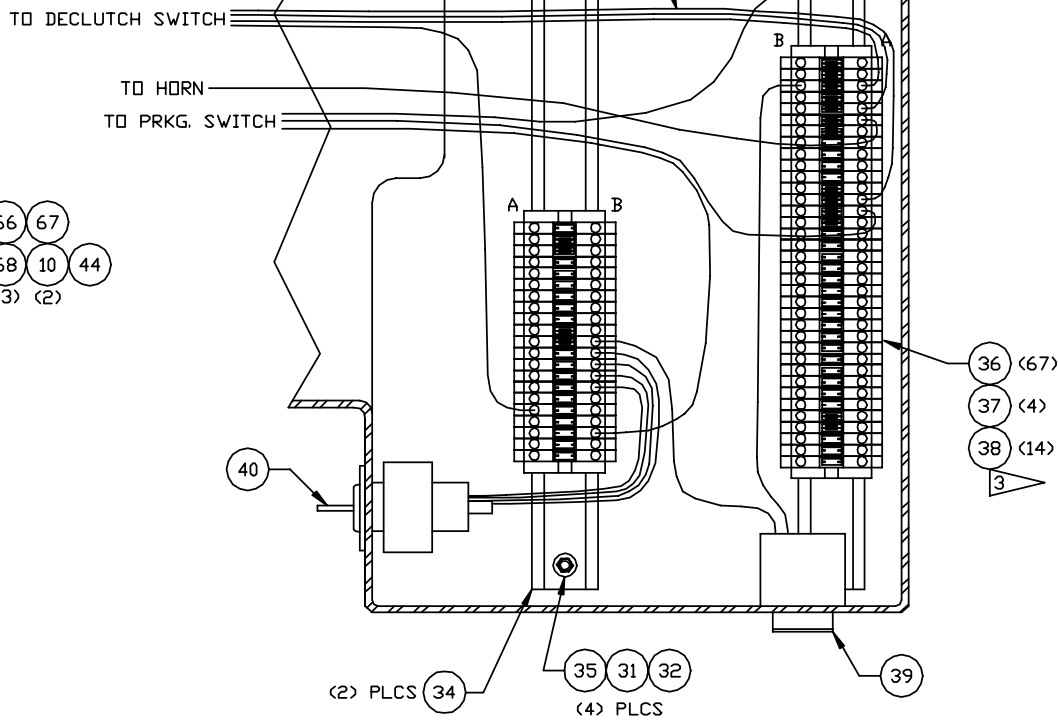
VIEW C-C  
SCALE: 1=4



FLOOR PLATE VIEW B-B  
CUTOUT DESIGNATIONS



SECTION D-D  
SCALE: 1=2



CONSOLE VIEW A-A

