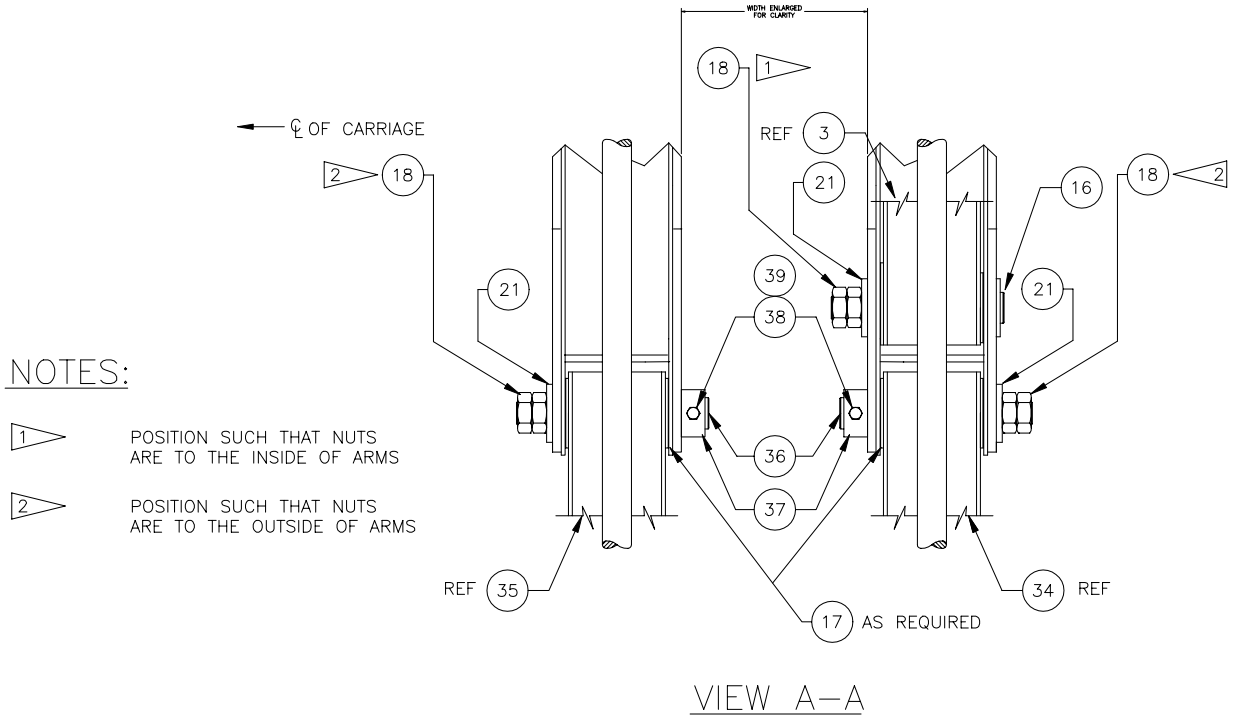

Carriage Assembly

Carriage Assembly



NOTES:

- POSITION SUCH THAT NUTS ARE TO THE INSIDE OF ARMS
- POSITION SUCH THAT NUTS ARE TO THE OUTSIDE OF ARMS

Item	Part No.	Qty	Description	Item	Part No.	Qty	Description
	578023		Carriage Assembly				
1	578024	1	. Carriage Weldment	22	572137	2	. Pin
2	561110	2	. Tine Weldment	23	572138	2	. Pin
3	578026	2	. Kickoff Weldment	24	572139	2	. Pin
	534117	2	. . Bushing	25	231696	8	. Capscrew
4	578025	1	. Holddown Weldment, RH	26	223188	8	. Nut, Esna
	534117	2	. . Bushing	27	577185	2	. Pin
5	* 572018	2	. Cylinder Assembly	28	* 558313	2	. Cylinder Assembly, Aux HD
6	* 574637	2	. Cylinder Assembly	29	558325	2	. Pin
7	572136	2	. Pin	30	578083	2	. Pin
8	220275	4	. Pin, Cotter	31	09430341	4	. Capscrew
9	562851	1	. Pin	32	234989	4	. Nut, Esna
10	563280	4	. Pin	33	17656	2	. Lock Collar
11	563243	3	. Lock Collar	34	578111	2	. Aux-Holddown Weldment
12	223374	8	. Capscrew		534117	2	. . Bushing
13	223654	8	. Nut, Esna	35	578104	1	. Holddown Weldment, LH
14	572811	2	. Stop Weldment		534117	2	. . Bushing
15	563503	2	. Plate, Kickoff Stop	36	578525	4	. Pin
16	534121	2	. Pin Assembly	37	578524	4	. Lock Collar
17	550986	6	. Shim	38	225779	4	. Capscrew
18	219928	12	. Nut, Jam	39	R13803587	4	. Nut, Lock
19	576544	1	. Pin				
20	561170	2	. Bush				
21	577189	6	. Plate, Spacer				

* See Separate Coverage