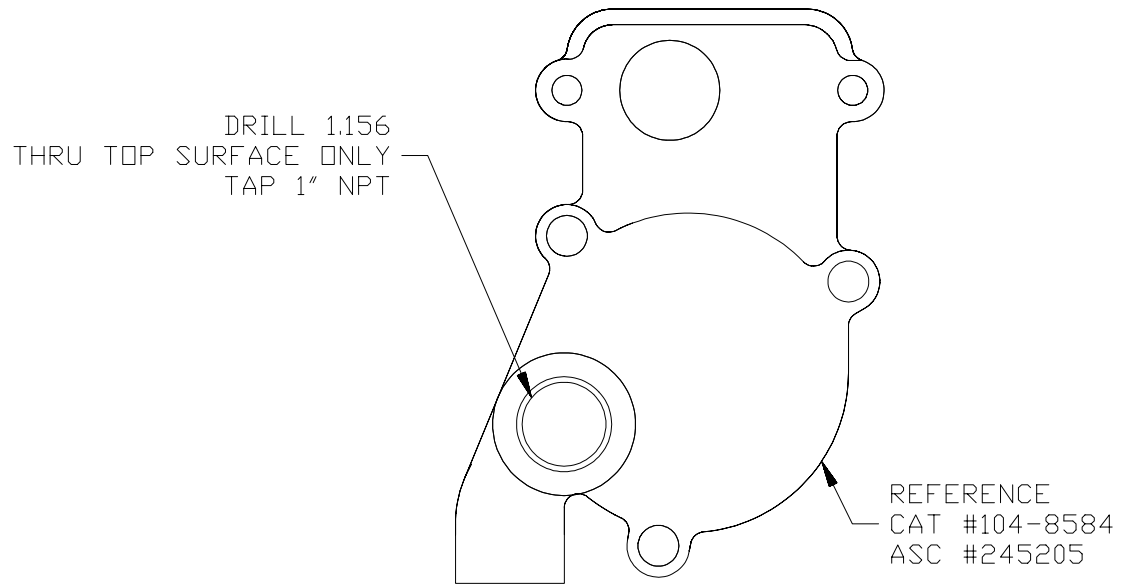


Engine Rework



**Engine Rework Instructions:**

1. Remove thermostat housing from engine.
2. Rework housing per drawing.
3. Reinstall thermostat housing.

NOTE: For engine coverage, please refer to 243840.