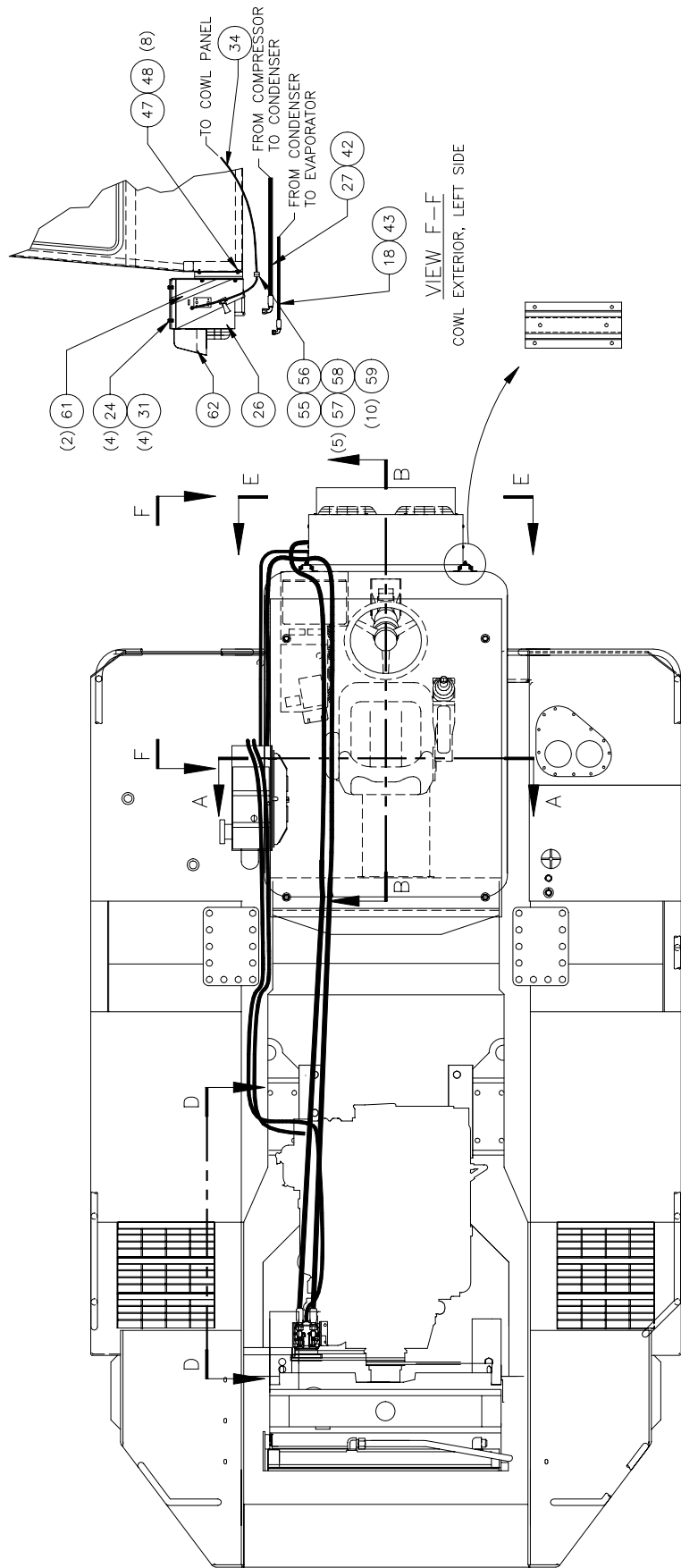
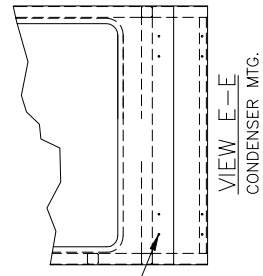
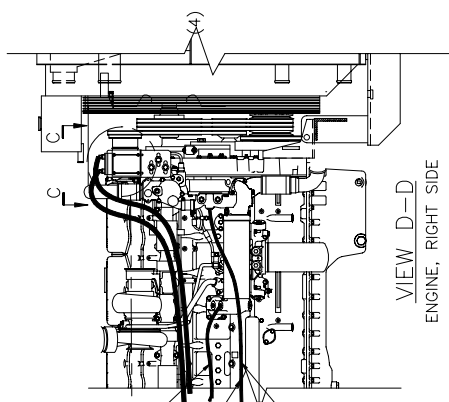

Air Conditioner/Heater Installation



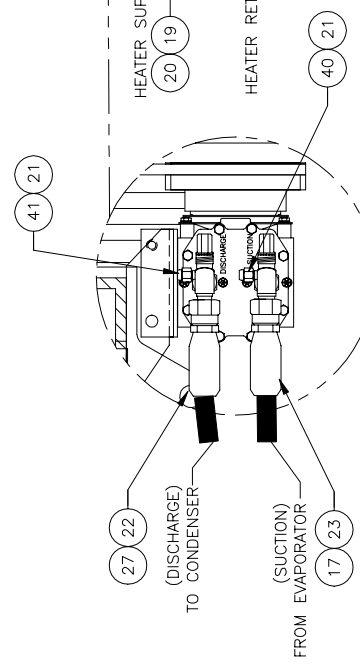
VIEW F-F
COWL EXTERIOR, LEFT SIDE



VIEW E-E
CONDENSER MTG.



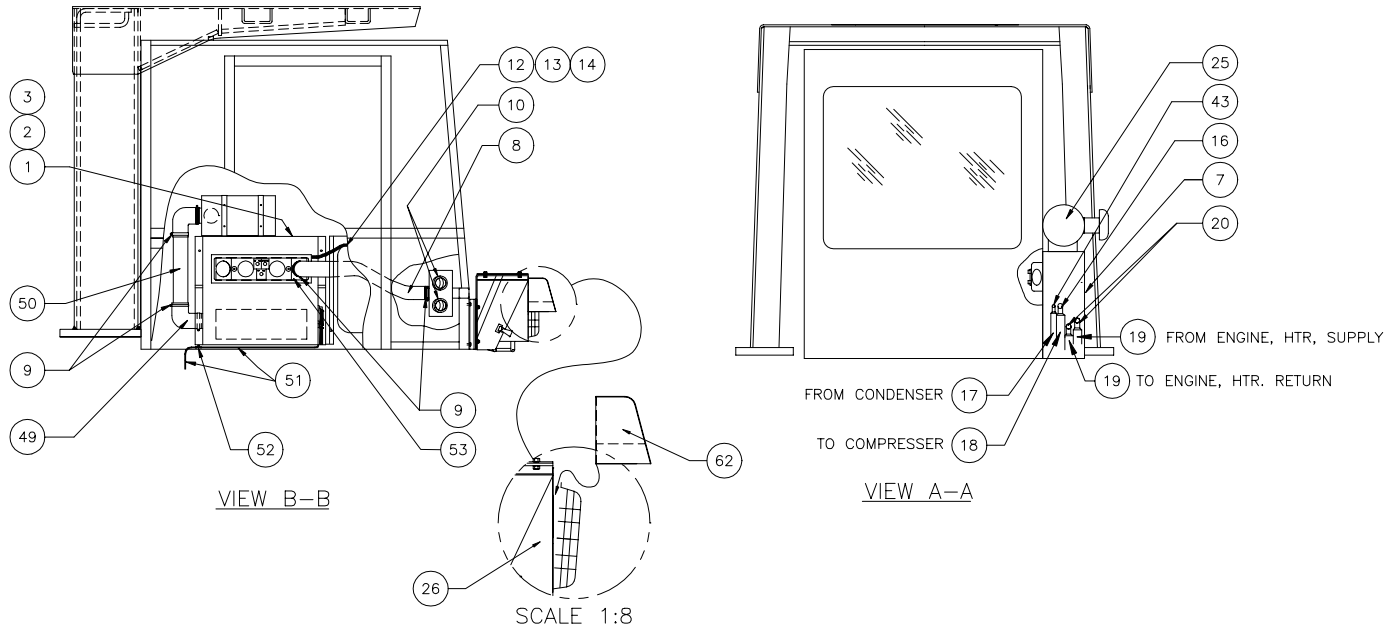
VIEW D-D
ENGINE, RIGHT SIDE



(27) 22 (DISCHARGE) TO CONDENSER
(SUCTION) FROM EVAPORATOR (17) 23

DETAIL C-C
SCALE: 1=4

Air Conditioner/Heater Installation



SYSTEM DESIGNED FOR REFRIGERANT R-134A
 USE REFRIGERANT OIL, P/N 238728,
 FOR TOPPING OFF COMPRESSOR & HOSE ASSY.

Item	Part No.	Qty	Description	Item	Part No.	Qty	Description
	577946		Air Conditioner/Heater Install.	27	238612	25'	. Hose, Air Conditioner
1	* 578240	1	. Air Cond/Heater Rework	34	20304	12'	. Cord
2	230521	10	. Capscrew	40	238548	1	. Valve, Compressor
3	00103339	10	. Washer, Flat	41	238547	1	. Valve, Compressor
4	574552	1	. Plate,Cover	42	238538	1	. Hose End
5	233025	1	. Filter Assembly, Air	43	238537	2	. Hose End
6	231114	44"	. Dor-Tite	44	238728	1	. Oil, Refrigerant
7	572532	2	. Decal	46	222906	4	. Insert
8	233268	6'	. Hose, Air	47	234868	8	. Capscrew
9	233269	2	. Clamp	48	223428	8	. Washer, Flat
10	R840286	2	. Louver	49	245394	1	. Elbow
11	238385	1	. Gasket	50	578230	1	. Tube
12	219386	6'	. Wire	51	245275	10'	. Tube, Flex
13	219433	6'	. Wire	52	245498	1	. Tee, Nylon
14	219434	6'	. Wire	53	244772	1	. Diffuser
16	245368	1	. Hose End	55	238156	1	. Connector, Wire
17	238613	20'	. Hose, Air Conditioner	56	238161	1	. Connector, Wire
18	238611	25'	. Hose, Air Conditioner	57	R740874	5	. Pin, Female
19	203190	48'	. Hose, Heater	58	R740866	5	. Pin, Male
20	201431	4	. Clamp, Hose	59	R740867	10	. Seal, Wire
21	R10664	2	. O-Ring	60	244773	6'	. Hose, Defroster
22	238549	1	. Hose End	61	577355	2	. Bracket Weldment
	R10663	1	. O-Ring	62	578384	1	. Deflector Weldment
23	238550	1	. Hose End				
	R10664	1	. O-Ring				
24	223654	8	. Nut, Esna				
25	236813	1	. Filter				
	237809	1	. Element				
26	* 240063	1	. Condenser, Remote				