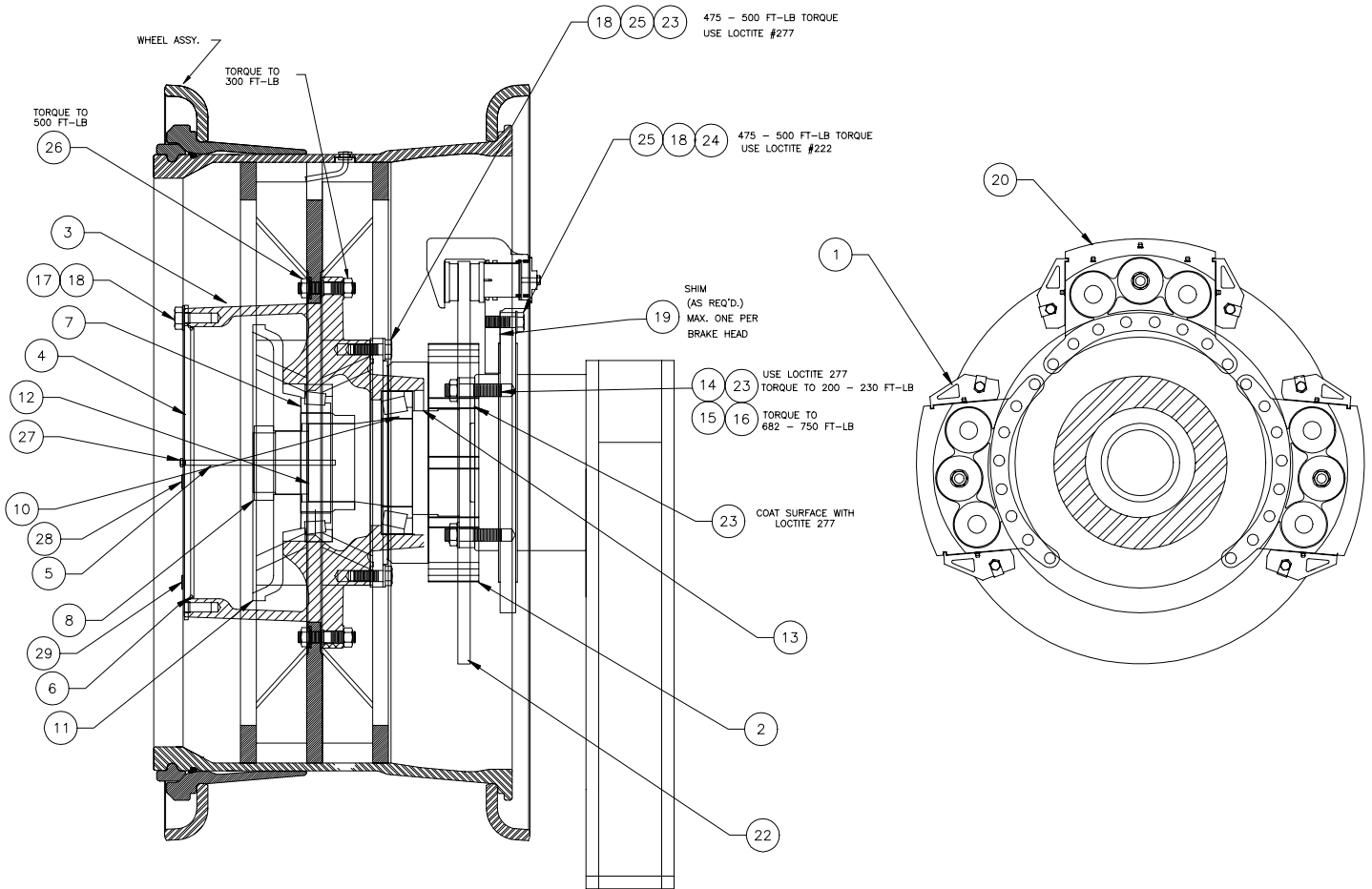


Front Bogie Axle



NOTES:

1. MOUNT AXLE HOUSING SO THAT CALIPERS WILL BE LOCATED FRONT, TOP AND REAR.
- USE MOBILE ATF-220 FOR BRAKE FLUID.
3. READ AND FOLLOW RF554828 BURNISH INSTRUCTIONS WHENEVER NEW BRAKE PADS ARE INSTALLED.

Item	Part No.	Qty	Description	Item	Part No.	Qty	Description
577935 Axle, Front Bogie							
1	* 570733	4	. Caliper, Brake	15	208830	24	. Washer
2	578218	2	. Driver, Disc Brake	16	223433	24	. Nut, Esna
3	580174	2	. Hub & Cup Assembly	17	00271656	96	. Capscrew
	204882	34	. . Washer	18	00103347	192	. Flat Washer
	217768	34	. . Wheel Nut	19	545267	6	. Shim
	219233	34	. . Stud	20	* 569926	2	. Caliper, Brake
	201233	34	. . Nut	21	236308	1	. Silicone
4	539697	2	. Plate, Cover	22	544408	2	. Brake, Disc
5	540135	2	. Pipe	23	222689	1	. Threadlock
6	200968	2	. O-Ring	24	226202	1	. Threadlock
7	201148	2	. Bearing Cone	25	218760	96	. Capscrew
8	230606	2	. Kit, Spindle Nut	26	217768	136	. Nut, Hex
10	216146	2	. Bearing Cone	27	229122	2	. Fitting, Relief
11	216149	2	. Hub, Internal Gear	28	238659	2	. Plug, Magnetic
12	216151	2	. Spindle	29	R565295	2	. Plug, Magnetic
13	216156	2	. Seal, Oil				
14	219246	24	. Stud				

* See Separate Coverage