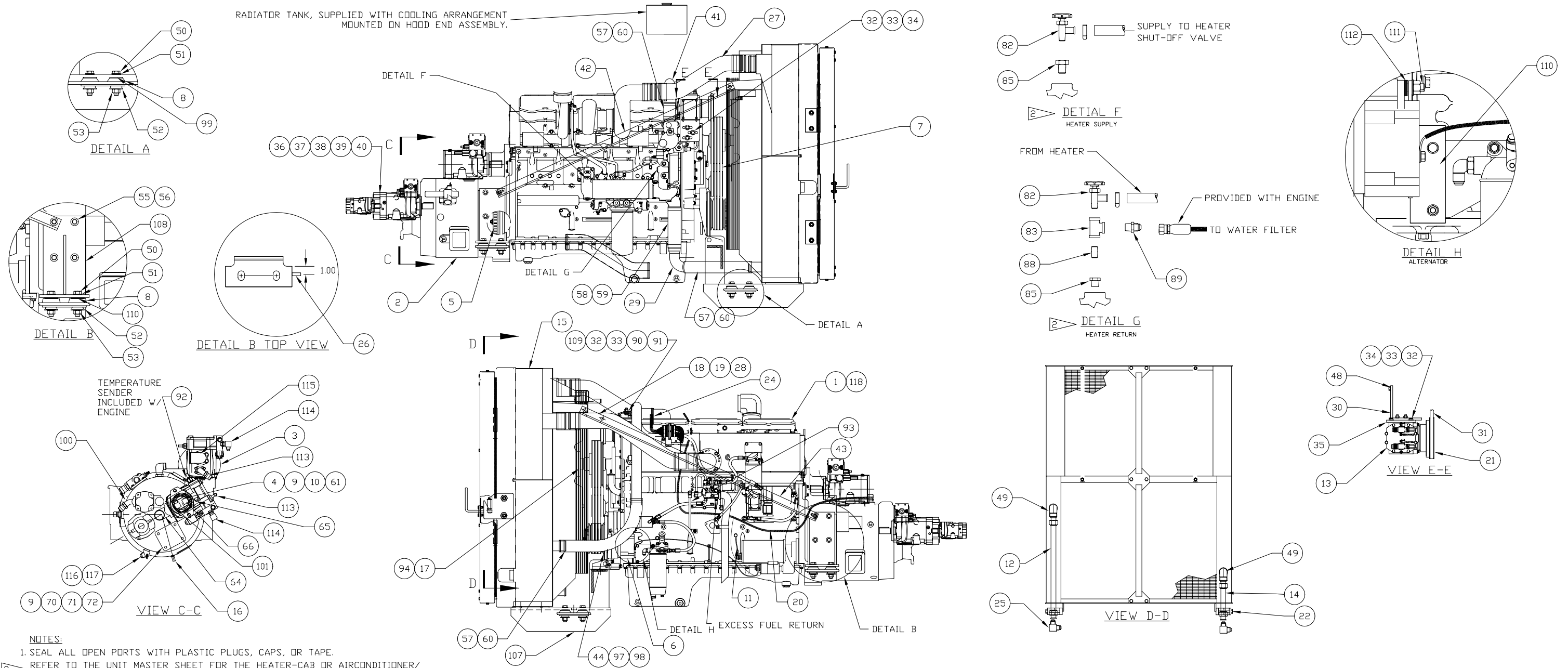


Power Unit

Power Unit

Item	Part No.	Qty	Description	Item	Part No.	Qty	Description
	577932		Power Unit				
1	* 245330	1	. Engine	59	225370	2	. T-Bolt Clamp
2	* 235290	1	. Converter	60	225369	6	. T-Bolt Clamp
3	* 245331	1	. Pump	61	201635	12	. Capscrew
4	* 578421	1	. Pump, Tandem	62	222151	1	. Fitting
	245974	1	. . Seal Kit	63	23390	2	. Kit, Split Flange
5	570775	1	. Ring Gear Assembly		200604	4	. . Lockwasher
	237315	96	. . Washer, Bellville		201621	4	. . Capscrew
	237316	24	. . Nut		203523	1	. . O-Ring
	570735	1	. . Ring Gear		209539	2	. . Clamp Half
	570776	24	. . Stud	64	211693	1	. Fitting
6	* 234183	1	. Alternator	65	209805	1	. Fitting
7	245628	3	. V-Belt	66	240874	1	. Fitting
8	234497	8	. Vibration Dampener	67	225129	1	. Fitting
9	505499	2	. Gasket	68	209167	2	. Fitting
10	539968	2	. Sleeve, Pump	69	217657	2	. Fitting
11	529449	1	. Wire Assembly, Grnd	70	212492	1	. Cover
12	578433	1	. Tube Assembly	71	201615	4	. Capscrew
13	238536	1	. Compressor	72	201568	4	. Lockwasher
14	578434	1	. Tube Assembly	73	223582	1	. Fitting
15	* 578191	1	. Radiator Assembly	74	243589	1	. Fitting
16	578383	1	. Switch Assembly, Prox	75	223909	4	. Lockwasher
17	243487	1	. Fan, 42	78	203528	1	. O-Ring
18	243488	4	. Connector	79	223794	1	. Fitting
19	243489	8	. Clamp	80	221186	1	. Fitting
20	578477	1	. Wire Harness, Eng	81	230596	4	. Capscrew
21	239124	1	. Pulley	82	237008	2	. Shutoff Valve
22	578577	2	. Bracket Weldment	83	223168	1	. Fitting
24	578498	1	. Harness, Acc W/O Coolant	85	209506	2	. Fitting
25	216027	2	. Fitting	88	00121208	1	. Nipple, Pipe
26	221314	1	. Stud, Weld	89	210732	1	. Fitting
27	578535	1	. Tube	90	R14589	1	. Bracket
28	578534	1	. Tube	91	223654	1	. Nut, Esna
29	576757	1	. Elbow, Reducer	92	243553	1	. Fitting
30	576780	1	. Bracket Weldment, A/C	94	244427	1	. Spacer, Fan
31	234899	1	. V-Belt	95	23945	1	. Fitting
32	R13803889	20	. Capscrew	97	243714	1	. Bushing
33	00103341	20	. Flat Washer	98	243743	1	. Pulley
34	R13812514	7	. Lockwasher	99	551132	8	. Washer, Snub
35	576781	1	. Plate	100	228220	1	. Fitting
36	576782	1	. Shaft, Splateine	101	223642	1	. Fitting
37	576783	1	. Plate, Adapter	103	209579	1	. Clamp
38	58907W	1	. Snap Ring - Ext	104	209304	2	. Fitting
39	203541	2	. O-Ring	105	209932	1	. Hose Assembly
40	R13809440	2	. Capscrew	106	26838	1	. Fitting
41	578435	1	. Tube Weldment	107	577350	1	. Engine Mount
42	576800	1	. Angle	108	577340	2	. Engine Mount
43	576801	1	. Angle	109	R1939857	4	. Bracket
44	230866	1	. V-Belt	110	578662	1	. Bracket
47	224202	2	. Nut, Esna	111	R13801909	1	. Capscrew
48	R13802628	4	. Flat Washer	112	R13811451	3	. Flat Washer
49	209420	3	. Fitting	113	239938	1	. Fitting
50	228686	8	. Capscrew	114	209715	2	. Fitting
51	00106268	8	. Flat Washer	115	245704	1	. Fitting
52	557376	8	. Flat Washer	116	578732	1	. Fitting
53	223188	8	. Nut, Esna	117	R13801972	1	. Fitting
55	223692	8	. Capscrew	118	* 578844	1	. Engine, Caterpillar 3406E
56	223694	8	. Lockwasher				
57	211791	5'	. Hose, Radiator				* See Separate Coverage
58	219460	1'	. Hose, Radiator				



NOTES:

1. SEAL ALL OPEN PORTS WITH PLASTIC PLUGS, CAPS, OR TAPE.
2. REFER TO THE UNIT MASTER SHEET FOR THE HEATER-CAB OR AIRCONDITIONER/HEATER OPTION PARTS LIST FOR CONTINUATION OF PLUMBING.
3. CAUTION: NO LINES OTHER THAN THE VENT LINES ARE TO BE PLUMBED TO THE TOP TANK OR ENGINE VENT PORTS. THESE LINES ARE NOT TO RISE ABOVE THE RADIATOR VENT PORTS OR HAVE ANY LOOPS THAT COULD TRAP AIR.