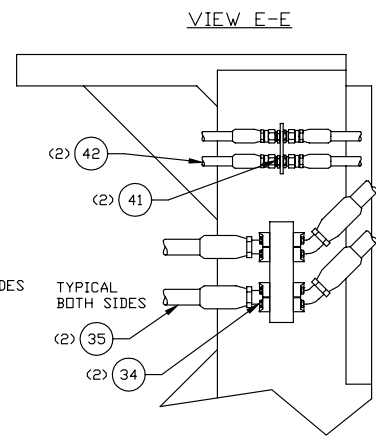
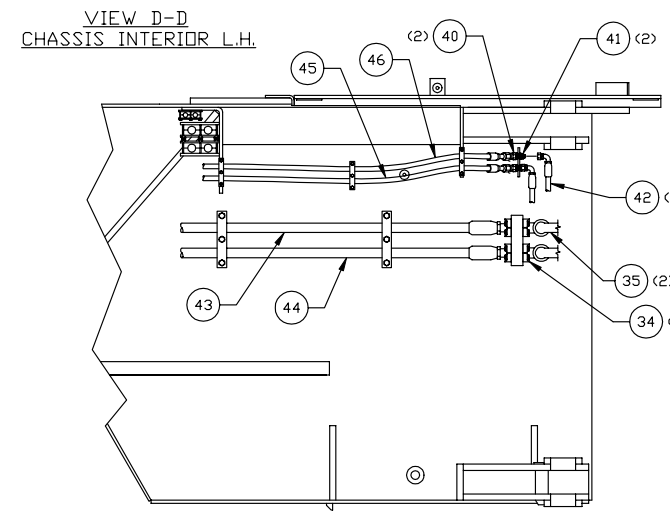
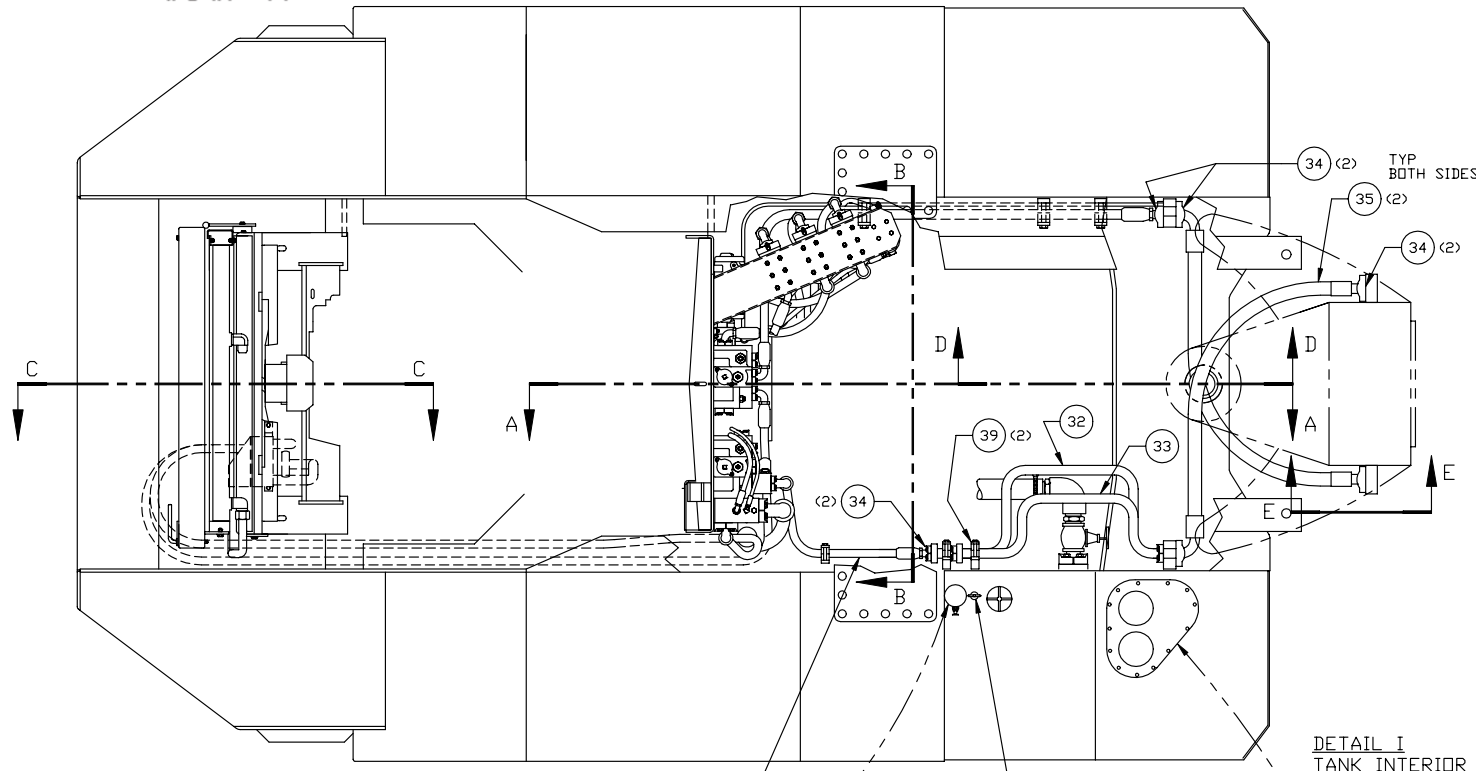

Hydraulic System - Chassis

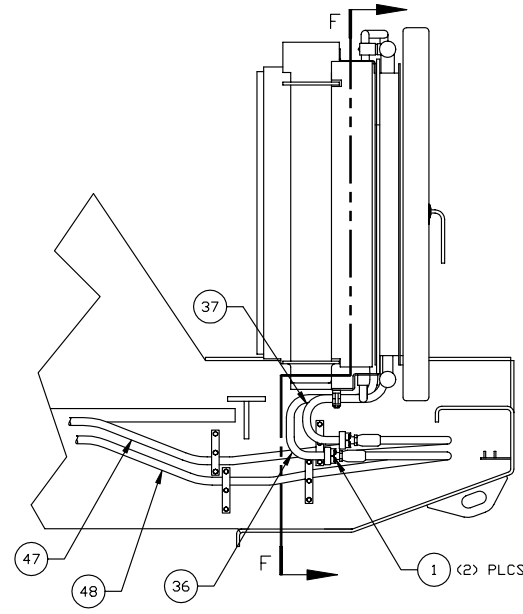
Hydraulic System - Chassis

Item	Part No.	Qty	Description	Item	Part No.	Qty	Description
	577842		Hydraulic System - Chassis				
1	11740	2	. Kit, Split Flange	35	234820	4	. Hose Assembly
	201568	4	. . Lockwasher	36	568970	1	. Tube
	201615	4	. . Capscrew	37	568967	1	. Tube
	203446	1	. . O-Ring	38	228532	2	. Clamp
	209536	2	. . Clamp Half	39	569155	2	. Tube Clamp Assembly
2	206289	8	. Clamp, Hose	40	214219	2	. Fitting
5	201440	10'	. Hose	41	R13803393	4	. Fitting
6	224683	2	. Fitting	42	234838	2	. Hose Assembly
7	203523	2	. O-Ring	43	234821	1	. Hose Assembly
8	221940	3	. Fitting	44	234822	1	. Hose Assembly
9	218816	2	. Valve	45	232211	1	. Hose Assembly
10	221026	2	. Fitting	46	209939	1	. Hose Assembly
11	222484	8	. Capscrew	47	236581	1	. Hose Assembly
12	226149	12	. Washer	48	236582	1	. Hose Assembly
13	220532	2	. Fitting	49	236019	1	. Hose Assembly
14	240390	1	. Fitting	50	12721	1	. Kit, Split Flange
15	222288	1	. Fitting		200604	4	. . Lockwasher
16	15308	1	. Hose Assembly		209538	2	. . Clamp Half
17	209918	1	. Fitting		222379	4	. . Capscrew
18	209160	1	. Fitting	51	209705	3	. Clamp
19	207408	1	. Plate	52	221803	3	. Stud, Weld
20	203519	1	. O-Ring	53	222677	3	. Washer
21	222483	4	. Capscrew	54	230282	3	. Washer
22	211398	1	. Draincock	55	223654	3	. Nut
23	209505	1	. Fitting	56	209701	1	. Clamp
24	224744	1	. Breather Assembly	57	246217	1	. Hose Assembly
25	209159	1	. Fitting	58	246218	1	. Hose Assembly
26	558310	1	. Dipstick Assembly	59	241747	1	. Hose Assembly
27	247342	1	. Diffuser	60	233143	1	. Hose Assembly
28	* 224350	2	. Return Filter (In-Tank)	61	234818	2	. Hose Assembly
29	201635	6	. Capscrew	63	209419	1	. Fitting
30	201569	6	. Washer	64	209406	1	. Fitting
31	224202	6	. Nut	65	209752	1	. Fitting
32	569059	1	. Tube	66	233365	1	. Hose Assembly
33	569058	1	. Tube	67	208858	1	. Hose Assembly
34	11767	14	. Kit, Split Flange	68	245170	1	. Hose Assembly
	200604	4	. . Lockwasher				
	209537	2	. . Clamp Half				
	222379	4	. . Capscrew				

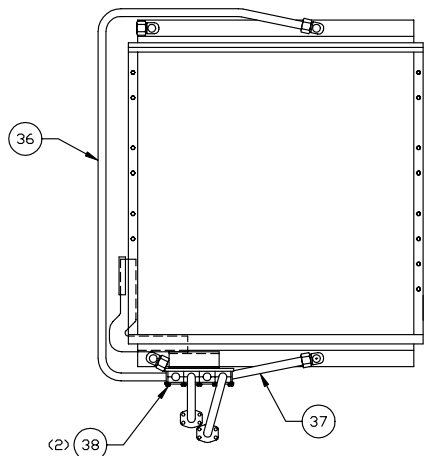
* See Separate Coverage



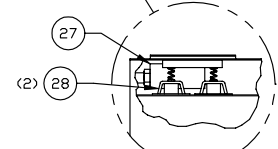
VIEW C-C
CHASSIS INTERIOR R.H. REAR



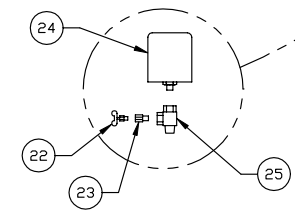
VIEW F-F



DETAIL I
TANK INTERIOR



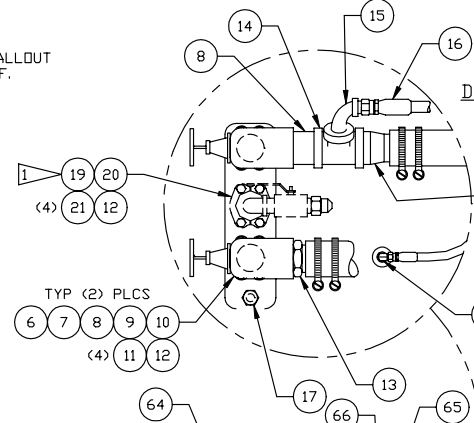
DETAIL H
BREATHER ASSY.



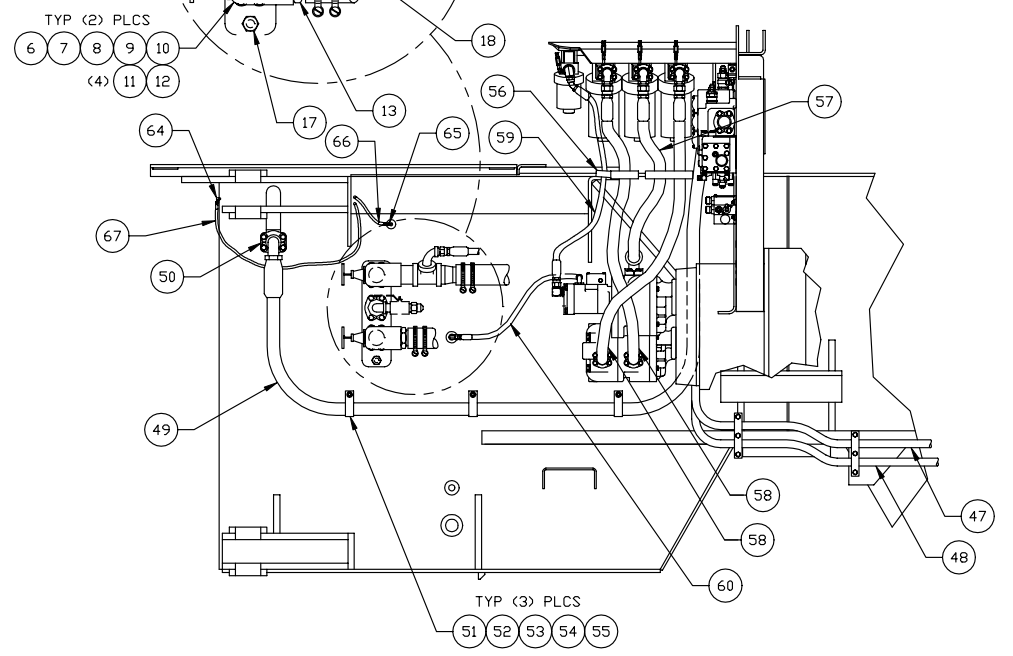
NOTE: FOR UNITS WITH WET DISK BRAKES AND CUMMINS ENGINE.

SEE EMERG. STRG. ON M/S FOR CALLOUT OR USE ITEMS SHOWN TO CAP OFF.

DETAIL G



VIEW A-A
CHASSIS INTERIOR R.H.



VIEW B-B
CHASSIS INTERIOR

