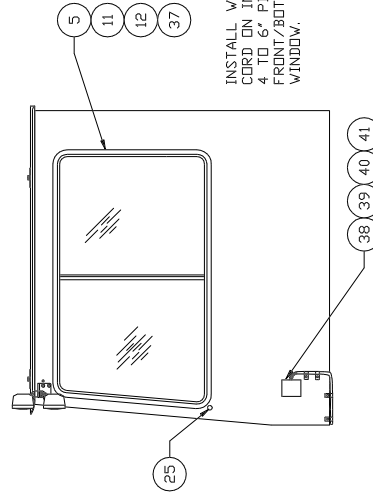
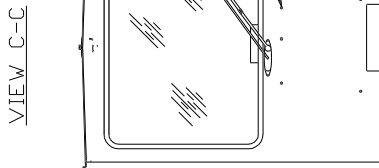
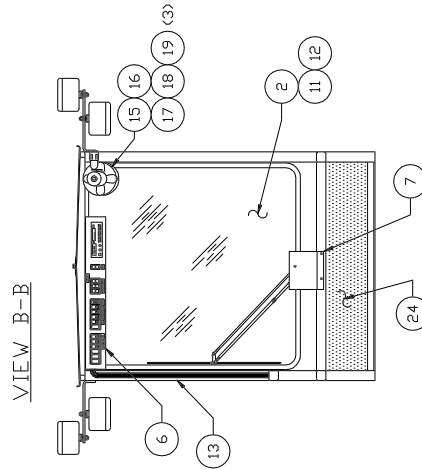
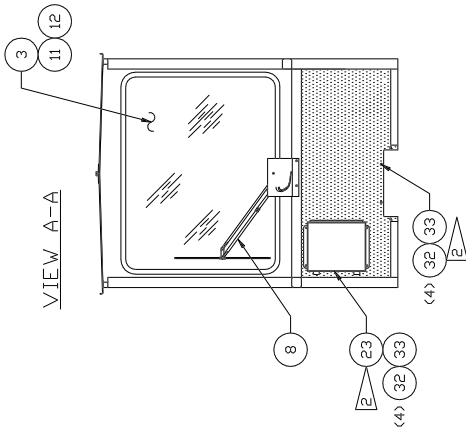
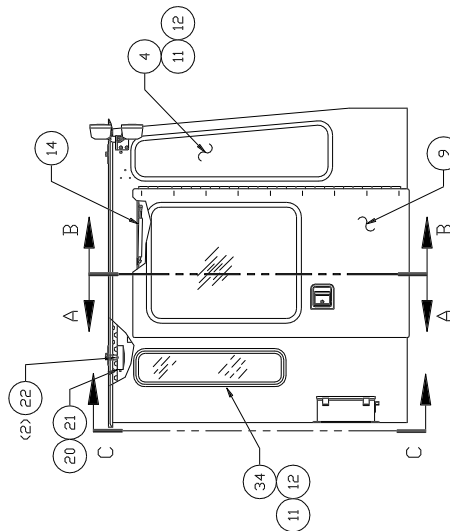
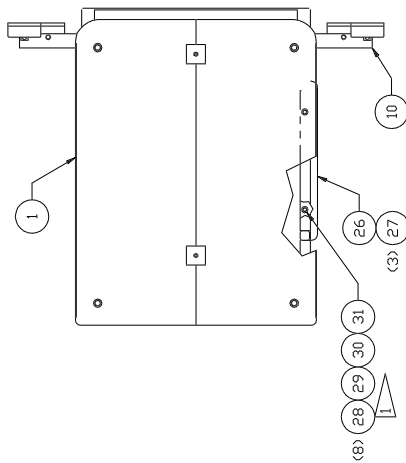


---

Cab Assembly



INSTALL WINDOW WITH LOCKING CORD ON INSIDE OF CAB WITH A 4 TO 6" PIECE EXPOSED AT THE FRONT/BOTTOM EDGE OF THE WINDOW.



NOTE: SEAL JUNCT. BOX AND COWL TUNNEL TO THE REAR CAB WALL WITH SILICON.

NOTE: INSERT CAPSCREWS UP FROM THE COWL FLOOR AT INSTALLATION.

## Cab Assembly

Item	Part No.	Qty	Description	Item	Part No.	Qty	Description
	<b>577775</b>		<b>Cab Assembly</b>				
1	577776	1	. Cab	22	223154	2	. Screw, Sheet Metal
2	573878	1	. Glass	23	* 574756	1	. Junction Box
3	573879	1	. Glass	24	* 574755	1	. Insulation Installation, Cab
4	573880	1	. Glass	25	227299	1	. Plug, Knockout
5	574754	1	. Window, Sliding Glass	26	569146	1	. Plate, Threshold
6	* 573778	1	. Panel Assembly	27	09420904	3	. Capscrew
7	* 573779	1	. Wiper Installation, Front	28	201635	8	. Capscrew
8	* 573780	1	. Wiper Installation, Rear	29	570391	8	. Square Washer
9	* 573913	1	. Door Installation, Cab	30	224202	8	. Nut, Esna
10	* 573896	1	. Light Installation	31	222615	8	. Flat Washer
11	203037	55'	. Molding, Lock	32	234757	8	. Capscrew
12	200326	55'	. Molding	33	00103339	8	. Flat Washer
13	568622	3'	. Duct	34	574753	1	. Glass
14	* 568945	1	. Gas Spring Installation	35	240983	2	. Insert
15	239161	1	. Fan	36	222906	5	. Insert
16	219405	3'	. Wire	37	575151	1	. Decal
17	00109451	3	. Mach Screw	38	240106	1	. Horn, Forward
18	00103338	3	. Flat Washer	39	R13806527	2	. Capscrew
19	00190637	3	. Nut, Esna	41	R13811445	4	. Flat Washer
20	570390	1	. Light, 24V				
21	219435	4'	. Wire				* See Separate Coverage