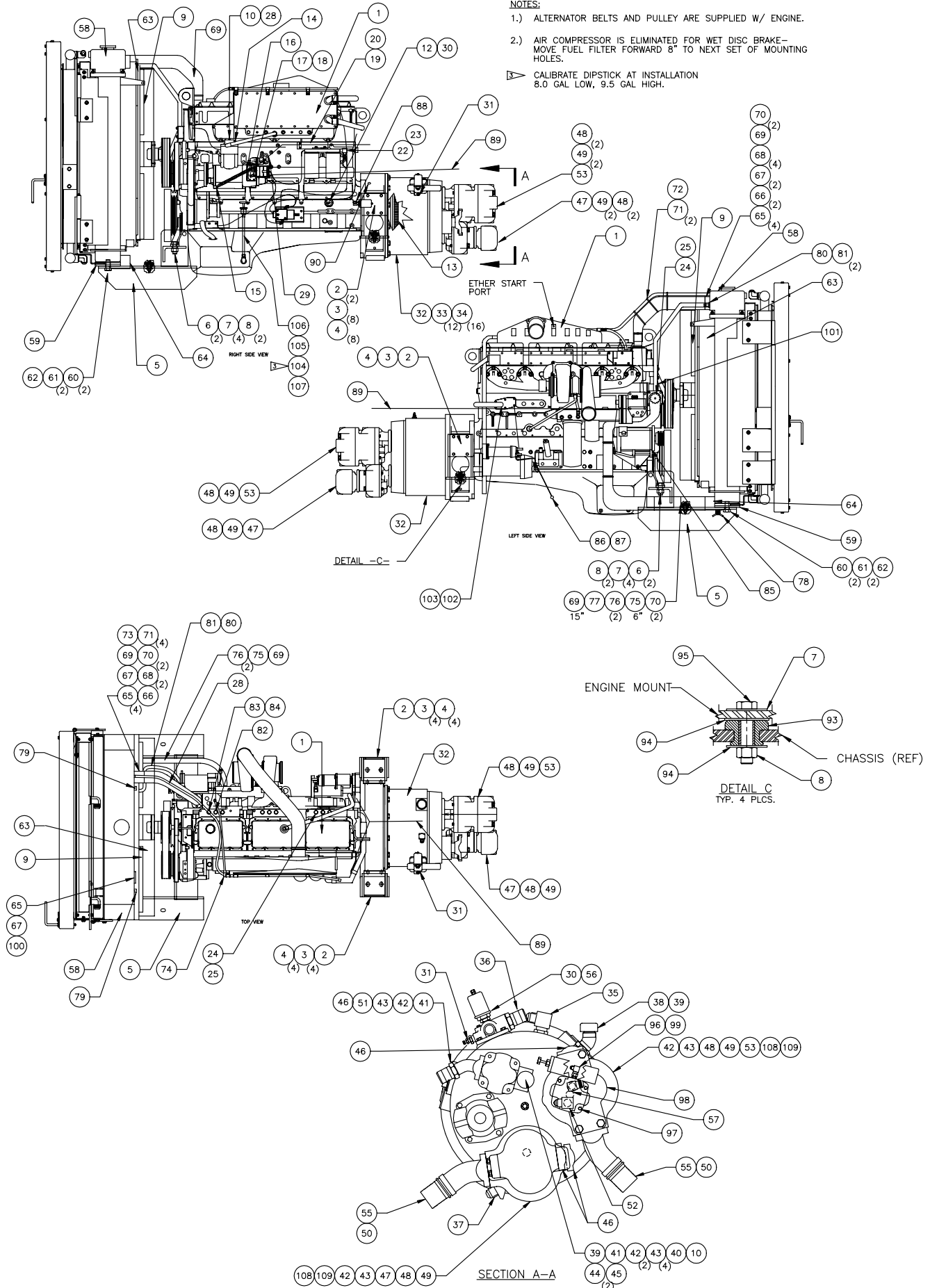


Power Unit

NOTES:

- 1.) ALTERNATOR BELTS AND PULLEY ARE SUPPLIED W/ ENGINE.
  - 2.) AIR COMPRESSOR IS ELIMINATED FOR WET DISC BRAKE—  
MOVE FUEL FILTER FORWARD 8" TO NEXT SET OF MOUNTING HOLES.
- ▶ CALIBRATE DIPSTICK AT INSTALLATION  
8.0 GAL LOW, 9.5 GAL HIGH.



## Power Unit

Item	Part No.	Qty	Description	Item	Part No.	Qty	Description
	<b>577764</b>		<b>Power Unit</b>				
1	* 243331	1	. Engine, Cummins N14-C	52	225129	1	. Fitting
2	573458	2	. Engine Mount, Conv	53	* 245617	1	. Hydraulic Gear Pump
3	223692	8	. Capscrew	55	245831	2	. Fitting
4	223694	8	. Lockwasher	57	240874	1	. Fitting
5	573456	1	. Engine Mount, Rear	58	* 576467	1	. Radiator & Oil Cooler Assembly
6	00223451	2	. Capscrew	59	564550	2	. Pad
8	223188	6	. Nut, Esna	60	00103325	2	. Lockwasher
9	242104	1	. Fan, 40	61	00106267	2	. Flat Washer
10	203523	1	. O-Ring	62	00223436	1	. Capscrew
12	209390	1	. Fitting	63	573538	1	. Shroud Ext
13	570775	1	. Ring Gear Assembly	64	556710	2	. Stop, Axle
	570776	24	. . Stud	65	223086	4	. Capscrew
	237315	96	. . Washer, Bellville	66	523605	1	. Connector Assembly, Rad Top
	237316	24	. . Nut	67	506669	2	. Gasket
	570735	1	. . Ring Gear	68	223909	4	. Lockwasher
14	209416	1	. Fitting	69	211791	4'	. Hose, Radiator
15	560328	1	. Bracket	70	225369	6	. Clamp, T-Bolt
16	224653	1	. Spring	71	223872	4	. Strap, Tie
17	577560	1	. Clevis	72	207848	1	. Hose Assembly
18	00103362	1	. Pin, Cotter	73	209392	1	. Fitting
19	571833	1	. Bracket	74	212194	1	. Fitting
20	226959	1	. Kit, Cable Clamp	75	211807	1'	. Hose, Radiator
22	213917	1	. Fitting	76	207146	2	. Clamp, T-Bolt
23	217990	1	. Hose Assembly	77	575439	1	. Tube, Radiator
24	203274	2	. Valve, Shutoff	78	211398	1	. Draincock
25	209505	1	. Fitting	79	209512	2	. Fitting
28	243387	1	. Hose Assembly	80	206320	3'	. Hose, Bulk
29	236395	1	. Cable	81	202947	2	. Clamp, Hose
30	242461	1	. Sender, Oil Pressure	82	242462	1	. Sender, Water Temperature
31	242463	1	. Sender, Oil Temperature	83	216102	1	. Alarmstat
32	* 235291	1	. Converter	84	00144046	1	. Bushing, Reducer
33	201615	12	. Capscrew	85	* 234183	1	. Alternator
34	201568	16	. Lockwasher	86	529449	1	. Ground Strap Assembly
35	209714	1	. Fitting	87	568927	1	. Ground Strap
36	217657	1	. Fitting	88	245664	1	. Pressure Stat
37	209401	1	. Fitting	89	568938	1	. Wiring Harness, 24V Engine
38	209997	1	. Fitting	90	226264	1	. Magnetic Pick-Up
39	225057	1	. Fitting	93	234497	4	. Dampener, Vibration
40	223794	1	. Fitting	94	557376	8	. Flat Washer
41	203519	1	. O-Ring	95	00271618	4	. Capscrew
42	222379	4	. Capscrew	96	209805	1	. Fitting
43	200604	12	. Lockwasher	97	* 239790	1	. Pump, Brake/Pilot
44	230596	2	. Capscrew	98	574806	1	. Kit, Pump Mounting
45	221186	1	. Fitting	99	210769	1	. Fitting
46	11767	6	. Kit, Split Flange	100	506670	1	. Flange
	209537	2	. . Clamp Half	101	221849	1	. Fitting
	222379	4	. . Capscrew	102	576518	1	. Tube
	200604	4	. . Lockwasher	103	224419	1	. Fitting
47	* 245616	1	. Hydraulic Pump	104	577373	1	. Dipstick Hsg
48	539968	2	. Sleeve	105	574359	1	. Dipstick Assembly
49	505499	2	. Gasket	106	209507	1	. Fitting
50	225661	2	. Kit, Split Flange	107	209757	1	. Fitting
	230769	2	. . Clamp Half	108	245757	6	. Stud
	203528	1	. . O-Ring	109	234921	6	. Nut, Hex
	00103325	4	. . Lockwasher				
	229082	4	. . Capscrew				
51	14857	1	. Fitting				

\* See Separate Coverage