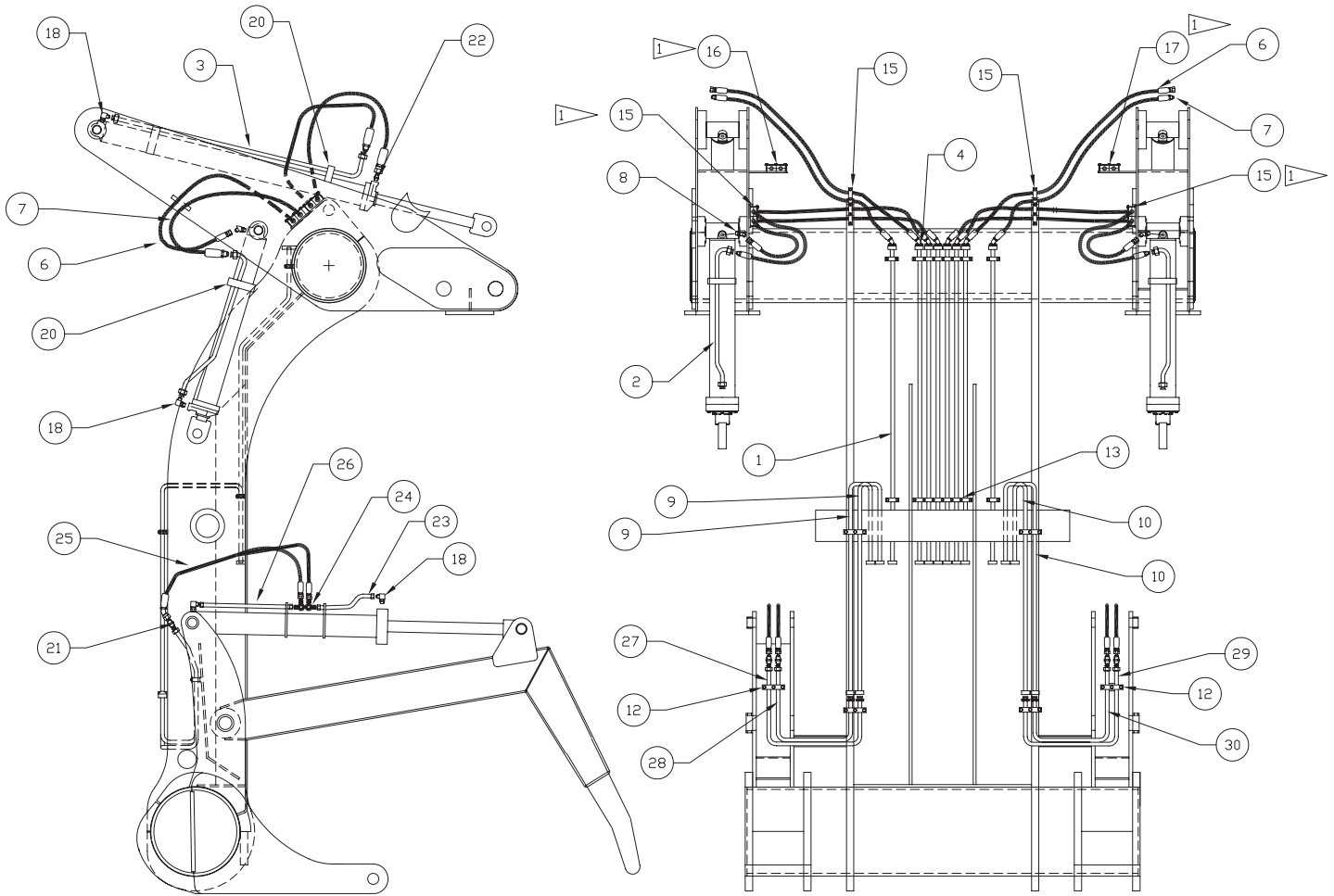


Hydraulic System - Carriage



 POSITION FOR BEST HOSE FLEXIBILITY

| Item | Part No. | Qty | Description | Item | Part No. | Qty | Description |
|------|---------------|-----|------------------------------------|------|----------|-----|-------------------|
| | 577756 | | Hydraulic System - Carriage | | | | |
| 1 | 561243 | 8 | . Tube | 15 | 228532 | 6 | . Clamp |
| 2 | 561246 | 2 | . Tube Assembly | 16 | 572896 | 1 | . Clamp |
| 3 | 561247 | 2 | . Tube Assembly | 17 | 572898 | 1 | . Clamp |
| 4 | 11759 | 12 | . Kit, Split Flange | 18 | 209715 | 8 | . Fitting |
| | 201567 | 4 | .. Lockwasher | 20 | 562456 | 4 | . Clamp |
| | 202201 | 4 | .. Capscrew | 21 | 209442 | 4 | . Fitting |
| | 203443 | 1 | .. O-Ring | 22 | 209323 | 2 | . Fitting |
| | 209535 | 2 | .. Clamp Half | 23 | 566573 | 2 | . Tube Assembly |
| 6 | 240243 | 4 | . Hose Assembly | 24 | 18378 | 4 | . Fitting, Swivel |
| 7 | 240244 | 4 | . Hose Assembly | 25 | 245897 | 4 | . Hose Assembly |
| 8 | 209147 | 2 | . Fitting | 26 | 566574 | 2 | . Tube Assembly |
| 9 | 577845 | 2 | . Tube, Lh | 27 | 578211 | 1 | . Tube |
| 10 | 577848 | 2 | . Tube, Rh | 28 | 578212 | 1 | . Tube |
| 12 | 225310 | 8 | . Clamp | 29 | 578214 | 1 | . Tube |
| 13 | 231250 | 28 | . Clamp | 30 | 578213 | 1 | . Tube |