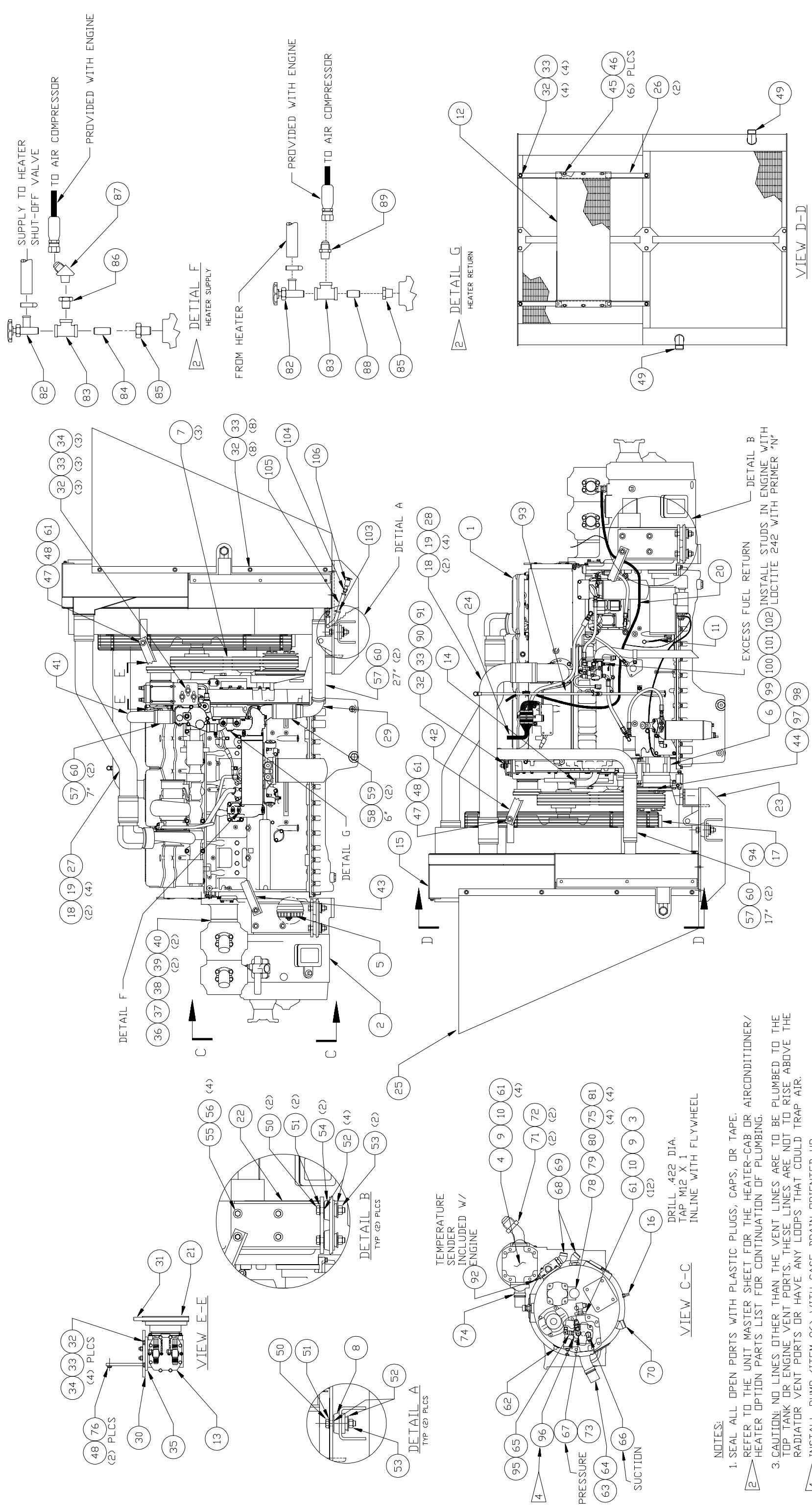


Power Unit

Power Unit

Item	Part No.	Qty	Description	Item	Part No.	Qty	Description
	577746		Power Unit				
1	* 243281	1	. Engine	56	223694	8	. Lockwasher
2	* 235291	1	. Converter	57	211791	5'	. Hose, Radiator
3	* 245124	1	. Pump, Hydraulic	58	219460	1'	. Hose, Radiator
4	* 244833	1	. Pump, Hydraulic	59	225370	2	. Clamp, T-Bolt
5	570775	1	. Ring Gear Assembly	60	225369	6	. Clamp, T-Bolt
	237315	96	. Washer, Bellville	61	201635	12	. Capscrew
	237316	24	. Nut	62	222151	1	. Fitting
	570735	1	. Ring Gear	63	23390	3	. Kit, Split Flange
	570776	24	. Stud		200604	4	. Lockwasher
6	* 234183	1	. Alternator		201621	4	. Capscrew
7	225544	3	. V-Belt, Fan Drive		203523	1	. O-Ring
8	234497	3	. Dampener, Vibration		209539	2	. Clamp Half
9	505499	2	. Gasket	65	209805	1	. Fitting
10	539968	2	. Sleeve	66	240874	1	. Fitting
11	529449	1	. Ground Strap Assembly	67	225129	1	. Fitting
12	239100	1	. Condenser	68	209167	2	. Fitting
13	238536	1	. Compressor	69	217657	2	. Fitting
14	* 576920	1	. Oil Fill Installation	70	209420	1	. Fitting
15	* 243341	1	. Radiator	71	14857	2	. Fitting
16	577393	1	. Switch Assembly, Proximity	72	11767	2	. Kit, Split Flange
17	243487	1	. Fan, 42		200604	4	. Lockwasher
18	243488	4	. Connector		209537	2	. Clamp Half
19	243489	8	. Clamp		222379	4	. Capscrew
20	576694	1	. Wire Harness, Engine	73	223582	1	. Fitting
21	239124	1	. Pulley	74	243589	2	. Fitting
22	576711	2	. Mounting, Engine	75	223909	4	. Lockwasher
23	576717	1	. Engine Mount	78	203528	1	. O-Ring
24	576723	1	. Wire Harness, Engine	79	223794	1	. Fitting
25	577278	1	. Air Scoop	80	221186	1	. Fitting
26	576748	2	. Bracket	81	230596	4	. Capscrew
27	576753	1	. Tube	82	237008	2	. Valve, Shutoff
28	576754	1	. Tube	83	223168	2	. Fitting
29	576757	1	. Elbow, Reducer	84	00140807	1	. Nipple, Pipe
30	576780	1	. Bracket, A/C	85	209506	2	. Fitting
31	234899	1	. V-Belt	86	209504	1	. Fitting
32	R13803889	20	. Capscrew	87	22390	1	. Fitting
33	00103341	20	. Flat Washer	88	00121208	1	. Nipple, Pipe
34	R13812514	7	. Lockwasher	89	210732	1	. Fitting
35	576781	1	. Plate	90	R14589	1	. Bracket
36	576782	1	. Shaft, Spline	91	223654	1	. Nut, Esna
37	576783	1	. Plate, Flange Adapter	92	243553	1	. Fitting
38	58907W	1	. Snap Ring	93	* 576917	1	. Dipstick & Housing Installation
39	203541	2	. O-Ring	94	244427	1	. Spacer, Fan
40	R13809440	2	. Capscrew	95	23945	1	. Fitting
41	578009	1	. Tube	96	* 239790	1	. Pump
42	576800	1	. Angle	97	243714	1	. Bushing
43	576801	1	. Angle	98	243743	1	. Pulley
44	230866	1	. V-Belt	99	577681	1	. Bracket
45	223428	6	. Flat Washer	100	570776	2	. Stud
46	224117	6	. Nut, Esna	101	237316	2	. Nut, Esna
47	224202	2	. Nut, Esna	102	201604	1	. Capscrew
48	R13802628	4	. Flat Washer	103	209579	1	. Clamp
49	209421	2	. Fitting	104	209304	2	. Fitting
50	234896	6	. Capscrew	105	209932	1	. Hose Assembly
51	00106268	6	. Washert	106	26838	1	. Fitting
52	578361	12	. Washerlat	107	* 576899	1	. Engine Configuration, CAT 3406
53	223188	6	. Nut, Esna				
55	223692	8	. Capscrew		* See Separate Coverage		



- NOTES:**
1. SEAL ALL OPEN PORTS WITH PLASTIC PLUGS, CAPS, OR TAPE. REFER TO THE UNIT MASTER SHEET FOR THE HEATER-CAB OR AIRCONDITIONER/HEATER OPTION PARTS LIST FOR CONTINUATION OF PLUMBING.
 2. **CAUTION:** NO LINES OTHER THAN THE VENT LINES ARE TO BE PLUMBED TO THE TOP TANK OR ENGINE VENT PORTS. THESE LINES ARE NOT TO RISE ABOVE THE RADIATOR VENT PORTS OR HAVE ANY LOOPS THAT COULD TRAP AIR.
 3. INSTALL PUMP (ITEM 96) WITH CASE DRAIN ORIENTED UP