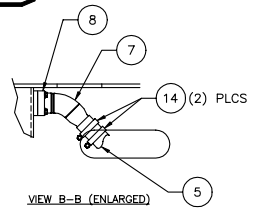
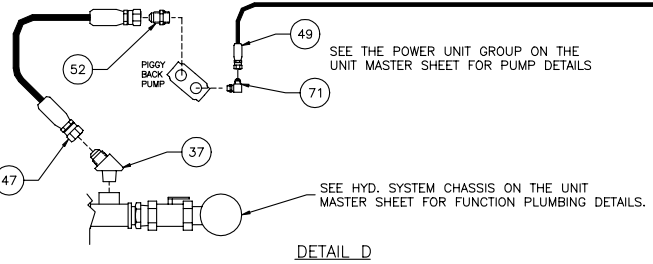
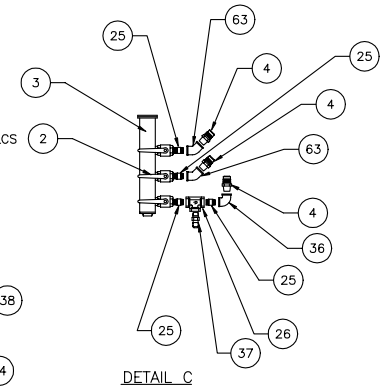
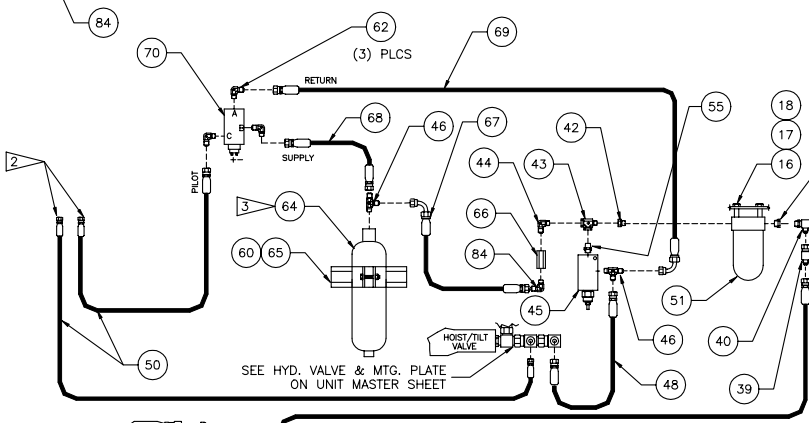
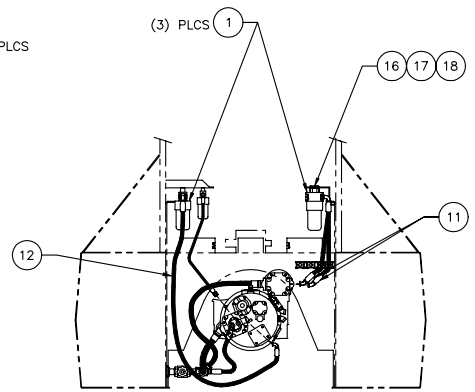
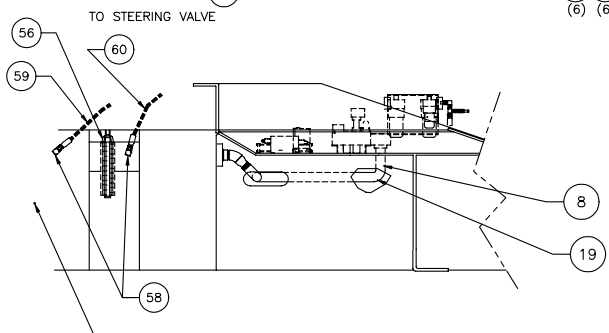
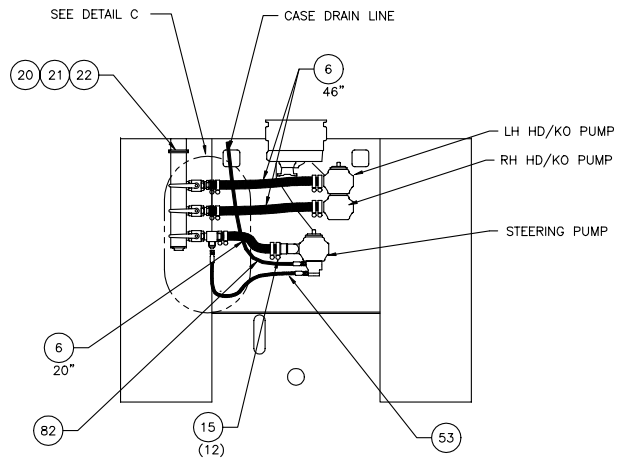
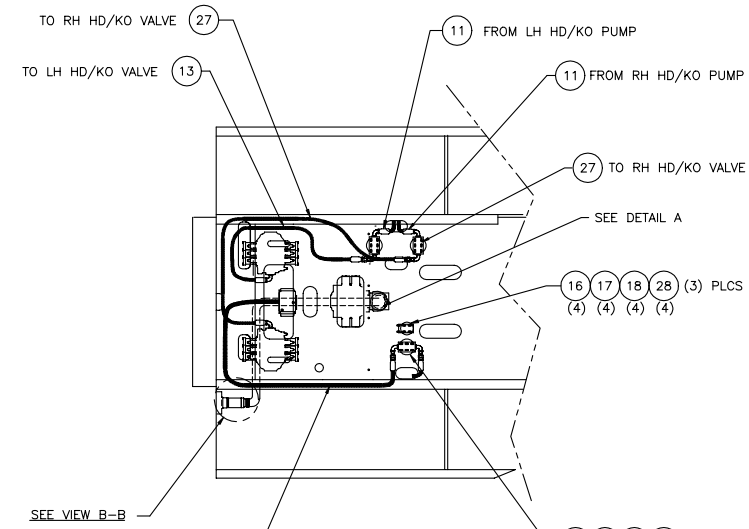
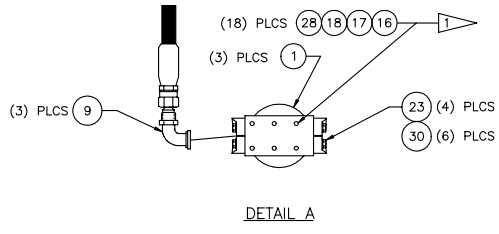

Hydraulic System - Chassis



NOTE:
 THIS DRAWING IS FOR MACHINES WITH SEAT MOUNTED HYD. PILOT CONTROLS.

- 1 USE LOCTITE 242 (P/N 226201) TO INSTALL STUDS INTO FILTER HOUSING.
- 2 SEE THE UNIT MASTER SHEET HYD. SYSTEM, PILOT CONTROLS - SEAT MTD, FOR CONTINUATION OF CIRCUIT.
- 3 CHARGE ACCUMULATOR TO 110 PSI (NITROGEN)



Hydraulic System - Chassis

| Item | Part No. | Qty | Description | Item | Part No. | Qty | Description |
|------|---------------|-----|-----------------------------------|------|----------|-----|---------------------------------|
| | 577744 | | Hydraulic System - Chassis | | | | |
| 1 | * 228201 | 3 | . High Pressure Filter (100 Gpm) | 37 | 209246 | 1 | . Fitting |
| 2 | 228321 | 3 | . Valve, Ball | 38 | * 228200 | 1 | . High Pressure Filter (40 Gpm) |
| 3 | 563832 | 1 | . Manifold Assembly, Suction | 39 | 209164 | 2 | . Fitting |
| 4 | 220532 | 3 | . Fitting | 40 | 228040 | 1 | . Coupler, Male |
| 5 | 215279 | 5' | . Hose, Suction | 41 | 12786 | 1 | . Fitting |
| 6 | 211791 | 9' | . Hose, Radiator | 42 | 209166 | 1 | . Fitting |
| 7 | 564238 | 1 | . Elbow | 43 | 14151 | 1 | . Fitting |
| 8 | 225661 | 2 | . Kit, Split Flange | 44 | 214316 | 1 | . Fitting |
| | 200607 | 4 | . . Lockwasher | 46 | 237726 | 1 | . Valve Body |
| | 203528 | 1 | . . O-Ring | 47 | 229948 | 1 | . Valve |
| | 229082 | 4 | . . Capscrew | | 242335 | 1 | . . Seal Kit |
| | 230769 | 2 | . . Clamp Half | 50 | 244630 | 1 | . Cavity, Valve |
| 9 | 14274 | 3 | . Fitting | 51 | 244629 | 1 | . Valve, Solenoid |
| 11 | 229540 | 1 | . Hose Assembly | | 244647 | 1 | . . Seal Kit |
| 12 | 228406 | 1 | . Hose Assembly | | 244648 | 2 | . . Coil |
| 13 | 246221 | 1 | . Hose Assembly | 52 | 237773 | 1 | . Fitting |
| 14 | 229187 | 4 | . Clamp, Hose | 53 | 244776 | 1 | . Hose Assembly |
| 15 | 216042 | 12 | . Clamp, T-Bolt | 56 | * 243457 | 2 | . Return Filter (In-Tank) |
| 16 | 201611 | 22 | . Capscrew | 58 | 209406 | 2 | . Fitting |
| 17 | 201567 | 22 | . Lockwasher | 59 | 220529 | 1 | . Hose Assembly |
| 18 | 223427 | 22 | . Flat Washer | 60 | 226732 | 1 | . Hose Assembly |
| 19 | 563470 | 1 | . Elbow | 61 | 572900 | 1 | . Channel |
| 20 | 228575 | 4 | . Capscrew | 63 | 221894 | 3 | . Fitting |
| 21 | 223694 | 4 | . Lockwasher | 64 | 327610W | 1 | . Accumulator |
| 22 | 203543 | 1 | . O-Ring | 65 | 244051 | 1 | . Clamp |
| 23 | 11767 | 6 | . Kit, Split Flange | 68 | R1938869 | 1 | . Hose Assembly |
| | 200604 | 4 | . . Lockwasher | 69 | 243534 | 1 | . Hose Assembly |
| | 209537 | 2 | . . Clamp Half | 70 | * 230905 | 1 | . Solenoid Valve |
| | 222379 | 4 | . . Capscrew | 72 | 14151 | 1 | . Fitting |
| 25 | 221940 | 4 | . Fitting | 82 | 246223 | 1 | . Hose Assembly |
| 26 | 222421 | 1 | . Fitting | 83 | 244133 | 1 | . Hose Assembly |
| 27 | 246222 | 1 | . Hose Assembly | 84 | 209413 | 1 | . Fitting |
| 28 | 563204 | 22 | . Spacer | | | | |
| 30 | 203516 | 6 | . O-Ring | | | | |
| 36 | 228558 | 1 | . Fitting | | | | |

* See Separate Coverage