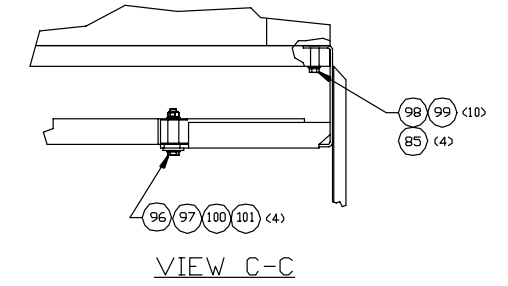
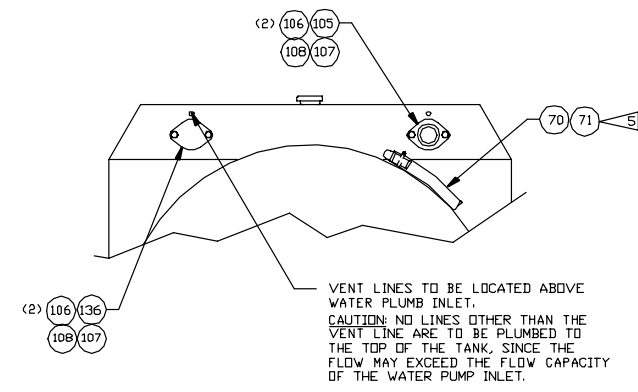
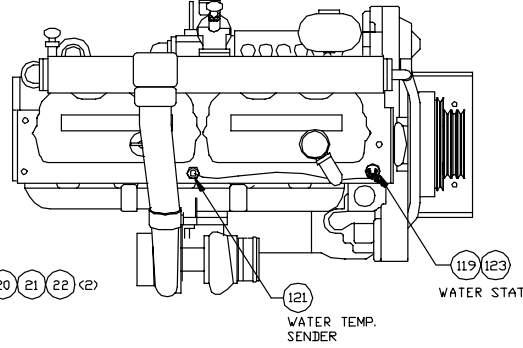
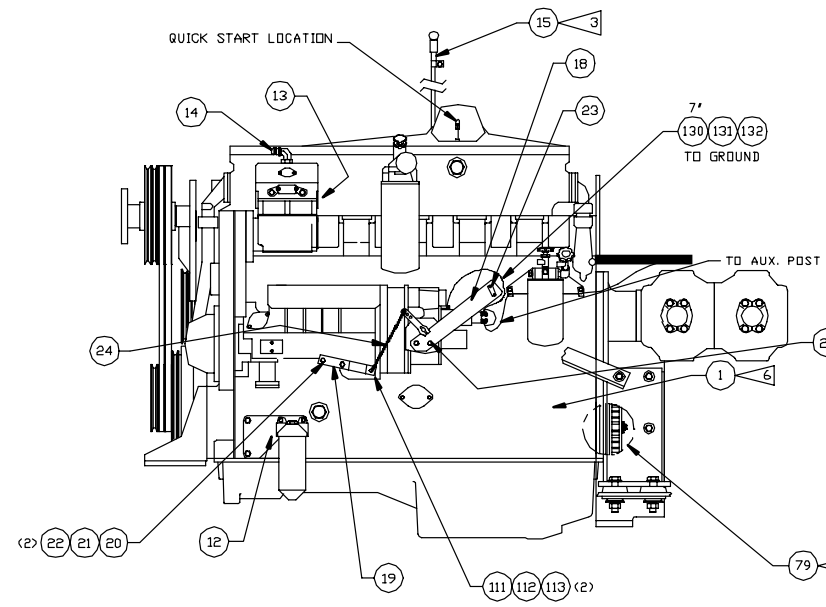


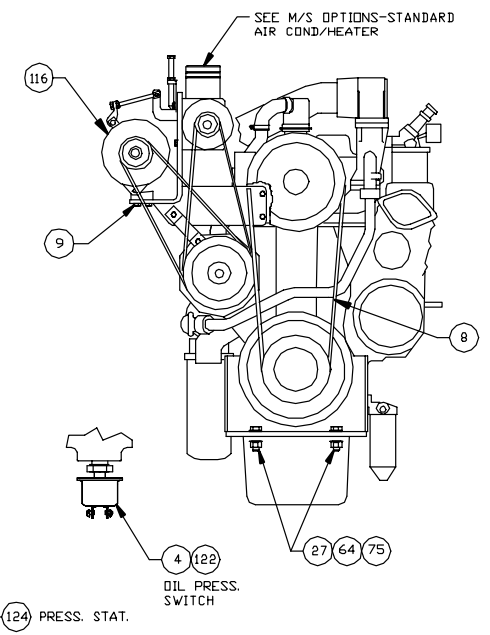
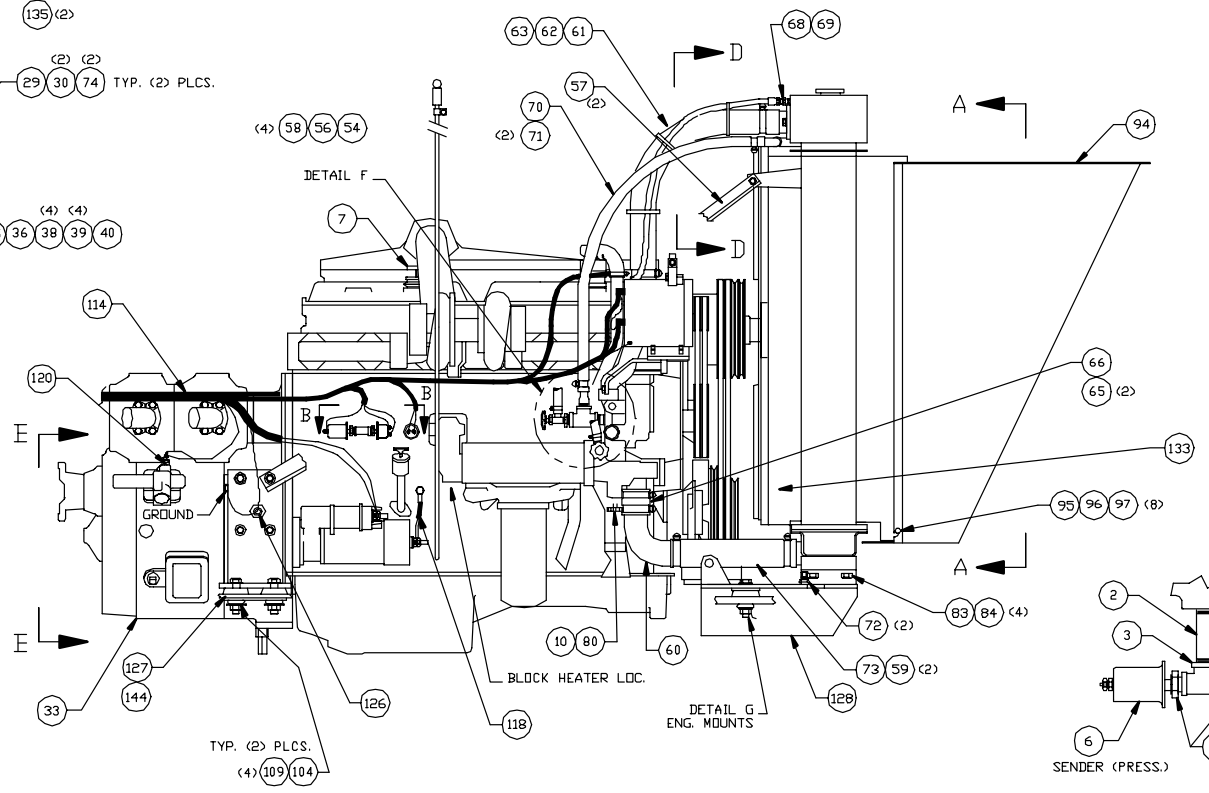
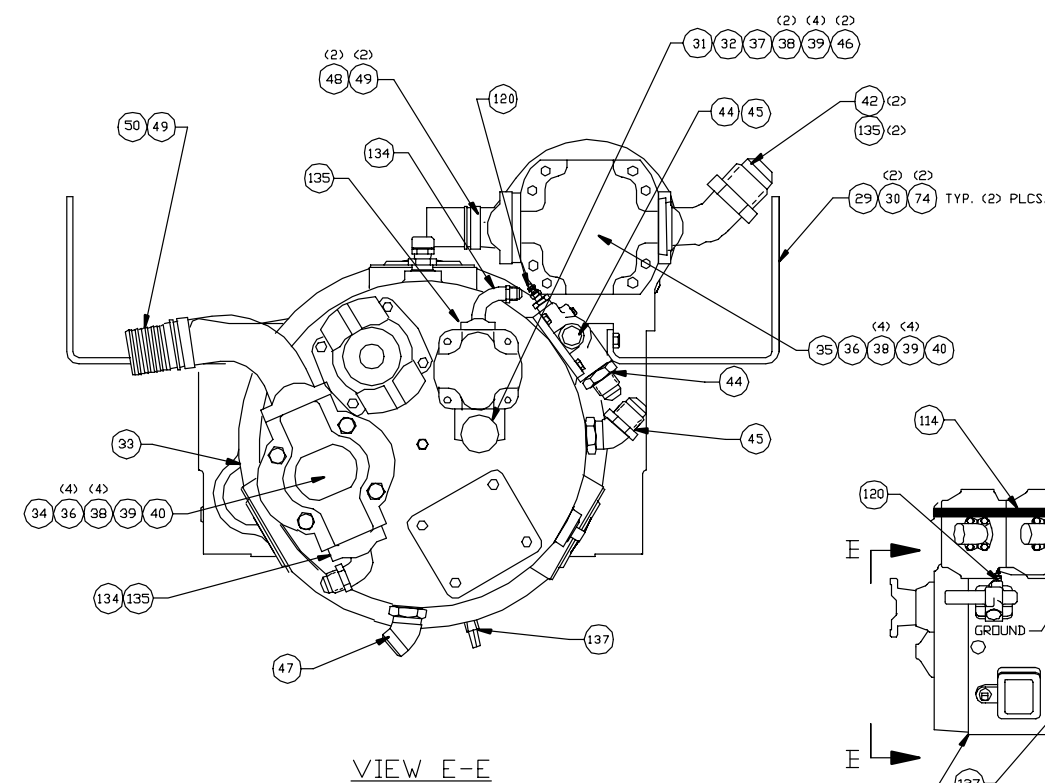
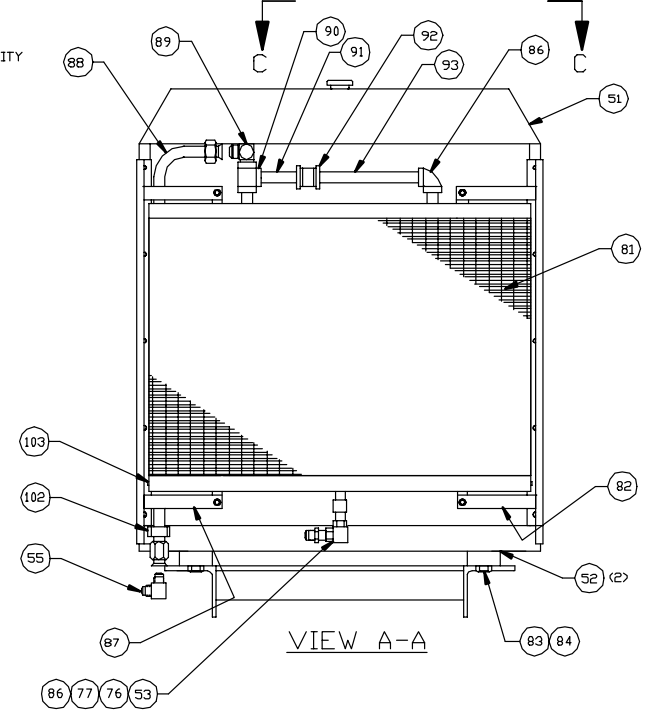
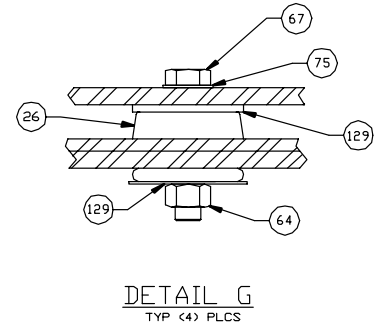
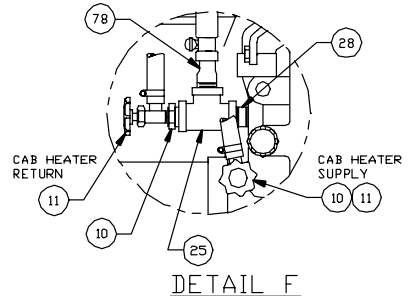
Power Unit

Power Unit

Item	Part No.	Qty	Description	Item	Part No.	Qty	Description
	577733		Power Unit				
1	* 245119	1	. Engine Spec. – CAT 3406 DITA	76	222155	1	. Fitting
2	00144603	1	. Nipple, Pipe	77	229506	1	. Fitting
3	225971	1	. Fitting	78	508487	1	. Pipe, Adapter
4	229944	3	. Fitting	79	570775	1	. Ring Gear Assembly
6	243403	1	. Sender, Oil Press		237315	96	. . Washer, Bellville
7	* 572915	1	. Engine Oil Fill		237316	24	. . Nut
8	225544	2	. V-Belt, Fan Drive		570735	1	. . Ring Gear
9	* 569673	1	. Alternator Installation		570776	24	. . Stud
10	209505	3	. Fitting	80	211398	1	. Draincock
11	203274	2	. Valve, Shutoff	81	558464	1	. Oil Cooler
12	209414	1	. Fitting	82	562191	1	. Rail
13	209317	1	. Fitting	83	00103325	8	. Lockwasher
14	209416	1	. Fitting	84	229932	4	. Capscrew
15	* 576917	1	. Dipstick & Housing Installation	85	560971	4	. Spacer, Radiator
18	562617	1	. Bracket	86	209186	2	. Fitting
19	562622	1	. Bracket	87	562192	1	. Rail
20	201599	4	. Capscrew	88	558913	1	. Tube Assembly
21	00103340	4	. Flat Washer	89	214220	1	. Fitting
22	201566	4	. Lockwasher	90	209177	1	. Fitting
23	226959	1	. Kit, Cable Clamp	91	540172	1	. Nipple, Pipe
24	224653	1	. Spring	92	219155	1	. Coupling
25	209601	1	. Fitting	93	558834	1	. Pipe, Cooler
26	234497	4	. Dampener, Vibration	94	578365	1	. Plate, Air Scoop
27	230095	2	. Capscrew	95	201604	8	. Capscrew
28	209901	1	. Fitting	96	201570	12	. Washer, Spring
29	564210	2	. Bracket	97	223654	12	. Nut, Esna
30	201638	4	. Capscrew	98	00179826	10	. Capscrew
31	223794	1	. Fitting	99	223657	10	. Lockwasher
32	221186	1	. Fitting	100	223372	4	. Capscrew
33	* 239794	1	. Converter	101	540058	4	. Tube, Spacer
34	* 245290	1	. Hydraulic Pump	102	224347	1	. Clamp
35	* 245289	1	. Tandem Pump	103	00103878	2	. Plug, Pipe
36	505499	2	. Gasket	104	228575	2	. Capscrew
37	203528	1	. O-Ring	106	200604	4	. Lockwasher
38	201635	20	. Capscrew	107	506669	2	. Gasket
39	223909	12	. Lockwasher	108	523605	1	. Connector Assembly, Radiator Top
40	539968	2	. Sleeve	109	00106267	2	. Washer, Flat
42	14857	2	. Fitting	111	00179801	2	. Capscrew
44	209619	1	. Fitting	112	00114501	2	. Nut, Jam
45	217657	1	. Fitting	113	00274856	2	. Nut, Esna
46	230596	2	. Capscrew	114	572846	1	. Wiring Harness, Engine
47	209420	1	. Fitting	116	* 234183	1	. Alternator
48	245298	2	. Fitting	118	529449	1	. Ground Strap Assembly
49	12721	3	. Kit, Split Flange	119	233406	1	. Alarmstat
	200604	4	. . Lockwasher	120	242463	1	. Sender, Oil Temperature
	209538	2	. . Clamp Half	121	242462	1	. Sender, Water Temperature
	222379	4	. . Capscrew	122	202889	1	. Switch, Oil Pressure
50	542708	1	. Fitting	123	00144046	1	. Bushing, Reducer
51	* 568851	1	. Radiator Assembly	124	225565	1	. Pressure Stat
52	516284	2	. Pad	126	226264	1	. Sensor, Magnetic Speed
53	225025	1	. Fitting	127	577165	1	. Mounting, Engine
54	222615	8	. Flat Washer	128	578182	1	. Engine Mount, Rear
55	216027	1	. Fitting	129	557376	8	. Flat Washer
56	223587	8	. Nut, Esna	130	219410	1	. Wire
57	572623	2	. Angle	131	200247	2	. Terminal Ring
58	223086	8	. Capscrew	132	228350	2	. Terminal Ring
59	207146	2	. Clamp, T-Bolt	133	227247	1	. Fan, 44
60	239263	1	. Fitting	134	14274	2	. Fitting
61	211791	7	. Hose, Radiator	135	11767	3	. Kit, Split Flange
62	225369	4	. Clamp, T-Bolt		200604	4	. . Lockwasher
63	223872	4	. Strap, Tie		209537	2	. . Clamp Half
64	223188	6	. Nut, Esna		222379	4	. . Capscrew
65	225370	4	. Clamp, T-Bolt	136	506670	1	. Flange
66	219460	2	. Hose, Radiator	137	577393	1	. Switch Assembly, Proximity
67	230096	4	. Capscrew	138	* 239790	1	. Pump, Brake/Pilot
68	209512	1	. Fitting	139	225129	1	. Fitting
69	209921	1	. Fitting	140	240874	1	. Fitting
70	206320	5	. Hose, Bulk	141	223582	1	. Fitting
71	202947	2	. Clamp, Hose	142	210769	1	. Fitting
72	203056	2	. Draincock	143	209805	1	. Fitting
73	211807	1	. Hose, Radiator	144	579173	1	. Mount
74	223694	4	. Lockwasher				
75	00106268	6	. Flat Washer				* See Separate Coverage



VIEW D-D



VIEW B-B

- NOTES:
- 2 SEE ITEM 79 FOR RING GEAR PARTS AND INSTALLATION INFORMATION.
 - 3 SEE DIPSTICK HOUSING INSTALLATION FOR INSTALLATION INSTRUCTIONS.
 - 4 SEAL ALL OPEN PORTS WITH PLASTIC PLUGS, CAPS, OR TAPE.
 - 5 DO NOT TEE ANY OTHER LINE WITH THIS LINE AT WATER PUMP OR FLOW WILL BE ADVERSLY AFFECTED.

NOTE: NOT ALL PARTS ARE SHOWN EACH VIEW.