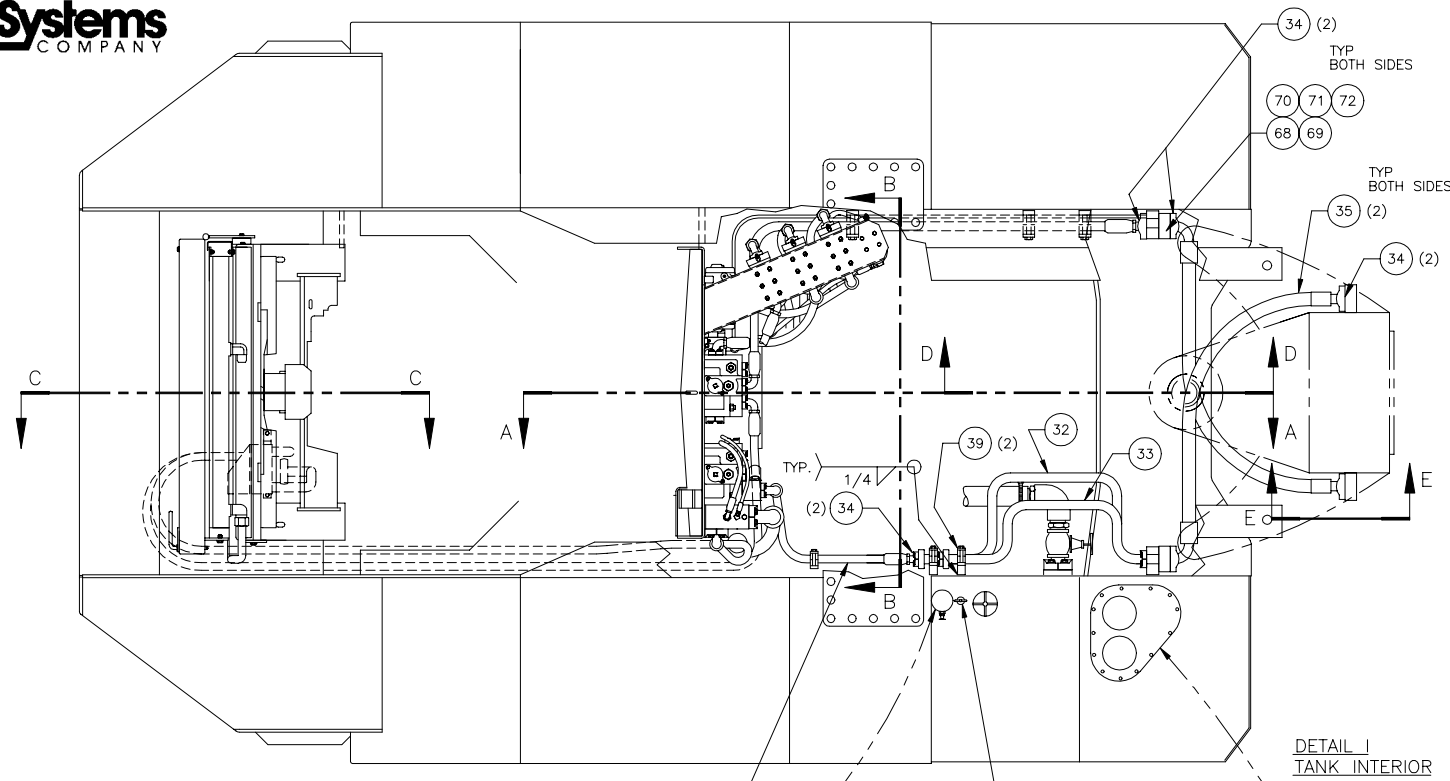

Hydraulic System - Chassis

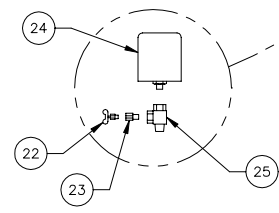
Hydraulic System - Chassis

Item	Part No.	Qty	Description	Item	Part No.	Qty	Description
	577721		Hydraulic System - Chassis				
1	11740	2	. Kit, Split Flange	36	568970	1	. Tube
	201615	4	. . Capscrew	37	568967	1	. Tube
	203446	1	. . O-Ring	38	228532	2	. Clamp
	209536	2	. . Clamp Half	39	569155	2	. Tube Clamp Assembly
2	206289	8	. Clamp, Hose	40	214219	2	. Fitting, Ff
5	201440	10'	. Hose, Suction	41	R13803393	4	. Fitting, St
6	224683	2	. Fitting, St	42	234838	2	. Hose Assembly
7	203523	2	. O-Ring	43	234821	1	. Hose Assembly
8	221940	3	. Fitting	44	234822	1	. Hose Assembly
9	218816	2	. Valve, Gate	45	232211	1	. Hose Assembly
10	221026	2	. Fitting, El	46	209939	1	. Hose Assembly
11	222484	8	. Capscrew	47	236581	1	. Hose Assembly
12	226149	12	. Lockwasher	48	236582	1	. Hose Assembly
13	220532	2	. Fitting, St	49	236019	1	. Hose Assembly
14	240390	1	. Fitting, Te	50	12721	1	. Kit, Split Flange
15	222288	1	. Fitting, El		200604	4	. . Lockwasher
16	22711	1	. Hose Assembly		209538	2	. . Clamp Half
17	209918	1	. Fitting, Mc		222379	4	. . Capscrew
18	209413	1	. Fitting, El	51	209705	3	. Clamp
19	207408	1	. Plate, End	52	221803	3	. Stud, Weld
20	203519	1	. O-Ring	53	222677	3	. Flat Washer
21	222483	4	. Capscrew	54	230282	3	. Flat Washer
22	211398	1	. Draincock	55	223654	3	. Nut, Esna
23	209505	1	. Fitting, St	56	209701	1	. Clamp
24	224744	1	. Breather Assembly	57	242664	1	. Hose Assembly
25	209159	1	. Fitting, Te	58	229458	2	. Hose Assembly
26	558310	1	. Dipstick Assembly	59	241747	1	. Hose Assembly
27	224666	1	. Diffuser, Flow	60	230726	1	. Hose Assembly
28	224350	2	. Filter	61	234818	2	. Hose Assembly
29	201635	6	. Capscrew	63	209419	1	. Fitting, El
30	201569	6	. Flat Washer	64	209406	1	. Fitting, El
31	224202	6	. Nut, Esna	65	209752	1	. Fitting, St
32	569059	1	. Tube	66	233365	1	. Hose Assembly
33	569058	1	. Tube	67	208858	1	. Hose Assembly
34	11767	10	. Kit, Split Flange	68	573526	4	. Bar, Spacer
	200604	4	. . Lockwasher	69	209537	8	. Clamp Half
	209537	2	. . Clamp Half	70	203516	8	. O-Ring
	222379	4	. . Capscrew	71	R13811083	16	. Capscrew
35	234820	4	. Hose Assembly	72	201569	16	. Flat Washer

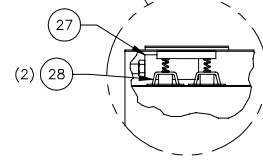


1 SEE EMERG. STRG. ON M/S FOR CALLOUT OR USE ITEMS SHOWN TO CAP OFF.

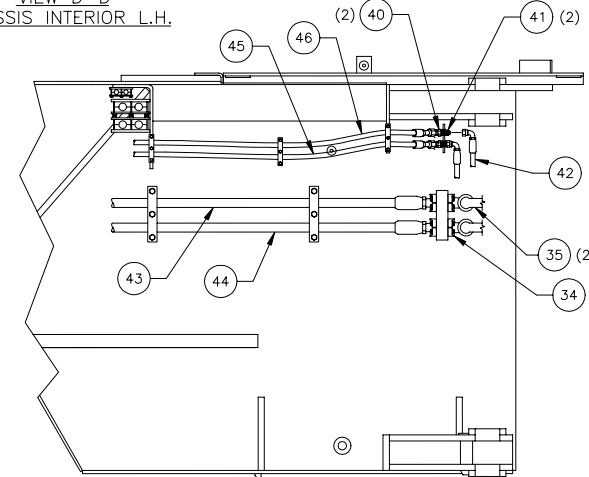
DETAIL H
BREATHER ASSY.



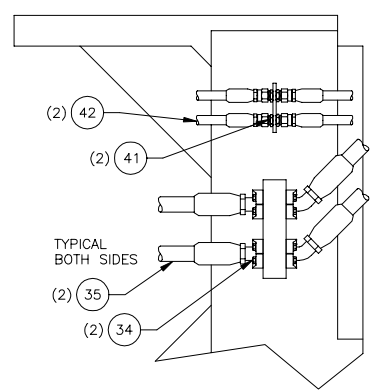
NOTE: FOR UNITS WITH WET DISK BRAKES AND CUMMINS KT-19C ENGINE.



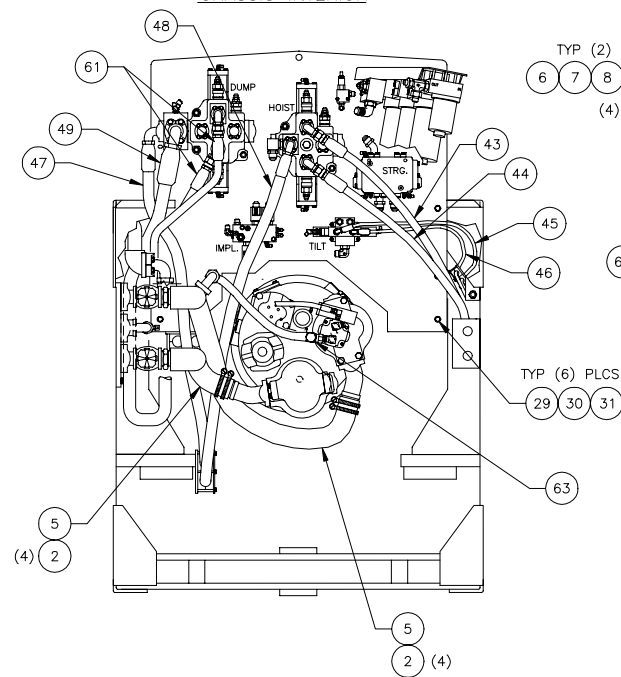
VIEW D-D
CHASSIS INTERIOR L.H.



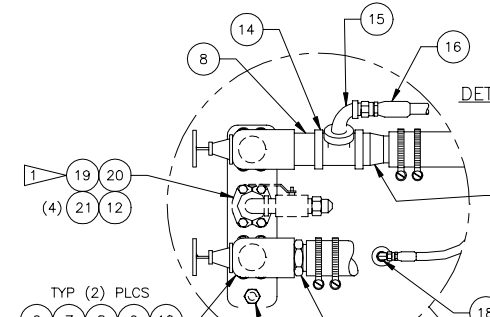
VIEW E-E



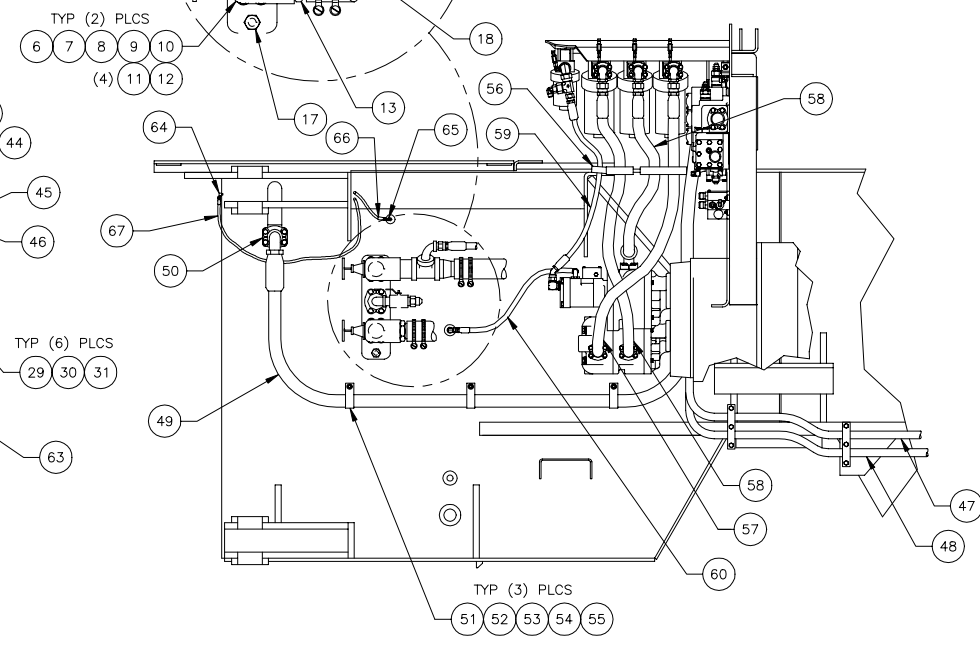
VIEW B-B
CHASSIS INTERIOR



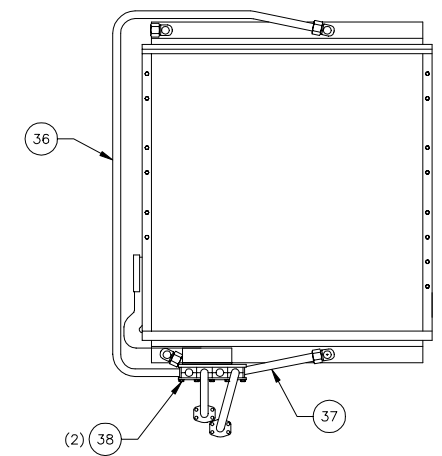
DETAIL G



VIEW A-A
CHASSIS INTERIOR R.H.



VIEW F-F



VIEW C-C
CHASSIS INTERIOR R.H. REAR

