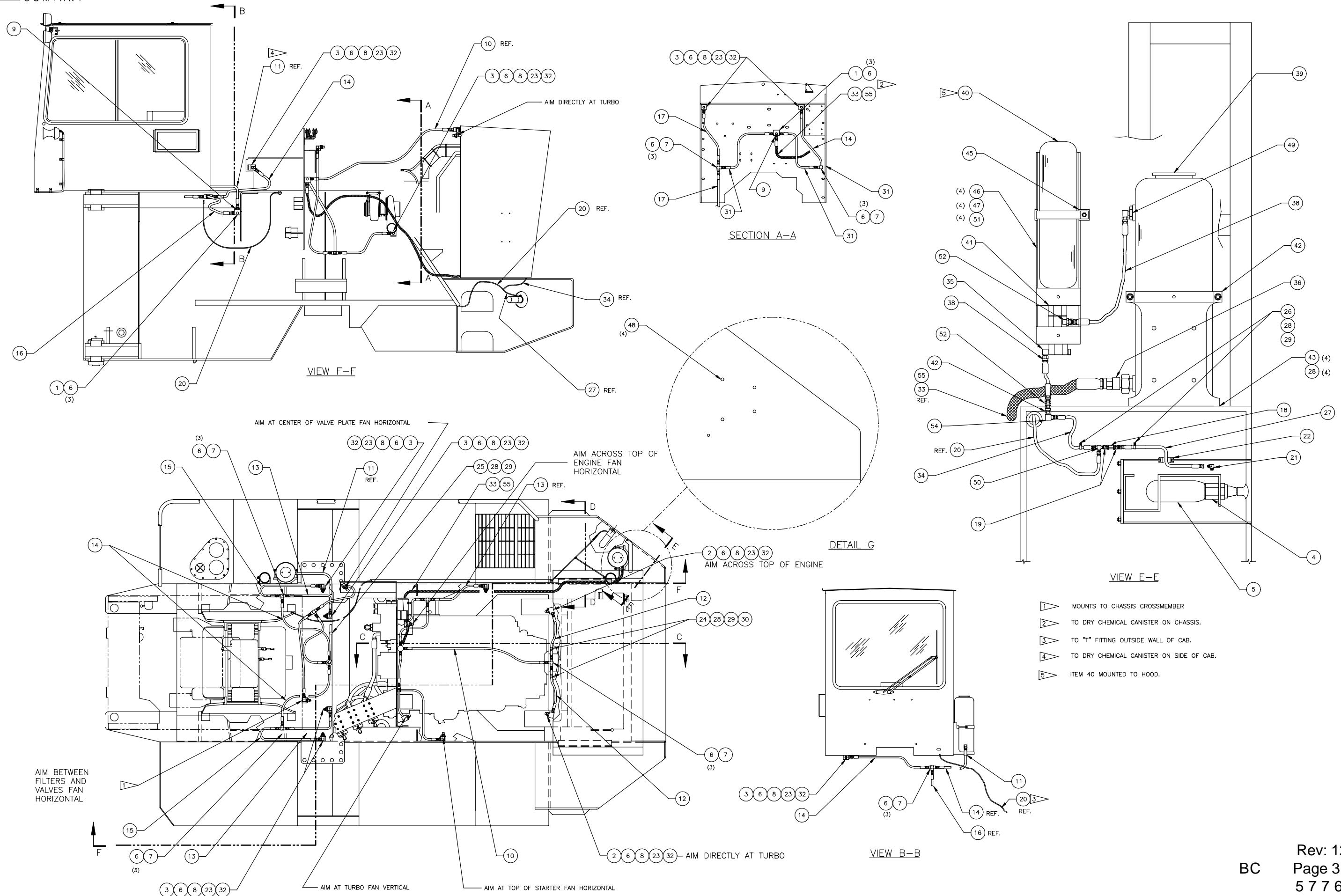

Fire Suppression System

Fire Suppression System

Item	Part No.	Qty	Description	Item	Part No.	Qty	Description
	577692		Fire Suppression System				
1	224343	2	. Tee, Distribution	27	217146	1	. Hose Assembly
2	225144	2	. Nozzle	28	223654	9	. Nut, Esna
3	225143	10	. Nozzle, Fire Extinguisher	29	00103341	5	. Flat Washer
4	225172	1	. Actuator	30	00179837	2	. Capscrew
5	225177	1	. Cartridge	31	225137	3	. Hose Assembly
6	209393	36	. Fitting	32	218809	12	. Cap, Blow Off
7	223168	6	. Fitting	33	215561	1	. Hose Assembly
8	00119098	12	. Elbow, Pipe	34	217247	1	. Hose Assembly
9	209759	2	. Fitting	35	209406	2	. Fitting
10	217437	1	. Hose Assembly	36	209799	1	. Fitting
11	204790	1	. Hose Assembly	37	218728	1	. Valve, Relief
12	217252	2	. Hose Assembly	38	216471	2	. Hose Assembly
13	216474	2	. Hose Assembly	39	248751	1	. Tank, Dry Chemical
14	216450	5	. Hose Assembly	40	221961	1	. Cartridge
15	216481	2	. Hose Assembly	41	223326	1	. Actuator, Pneumatic
16	225135	1	. Hose Assembly	42	241845	1	. Fitting
17	216455	2	. Hose Assembly	43	222677	4	. Flat Washer
18	211305	1	. Valve, Check	45	223041	1	. Bracket, Mounting
19	218584	2	. Fitting	46	00103340	4	. Flat Washer
20	217432	1	. Hose Assembly	47	224209	4	. Nut, Esna
21	209317	1	. Fitting	48	221468	4	. Stud, Weld
22	208264	1	. Grommet	49	15280	1	. Fitting
23	225250	24	. Lockwasher	50	213883	1	. Fitting
24	209579	2	. Clamp	51	R13810993	4	. Capscrew
25	209696	1	. Clamp	52	209752	2	. Fitting
26	209699	2	. Clamp	55	242687	11'	. Sleeve, Fire



- 1 MOUNTS TO CHASSIS CROSSMEMBER
- 2 TO DRY CHEMICAL CANISTER ON CHASSIS.
- 3 TO "T" FITTING OUTSIDE WALL OF CAB.
- 4 TO DRY CHEMICAL CANISTER ON SIDE OF CAB.
- 5 ITEM 40 MOUNTED TO HOOD.