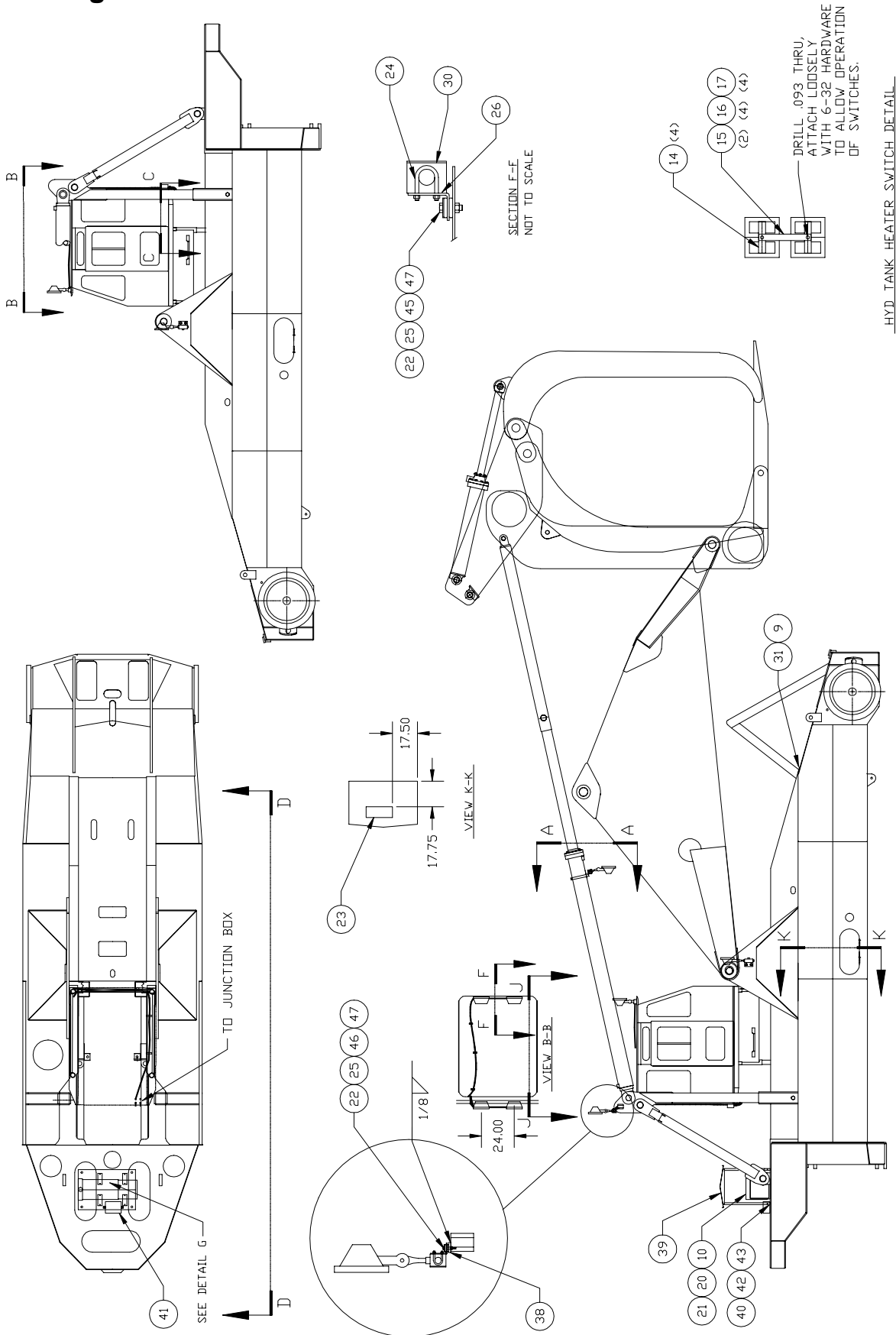
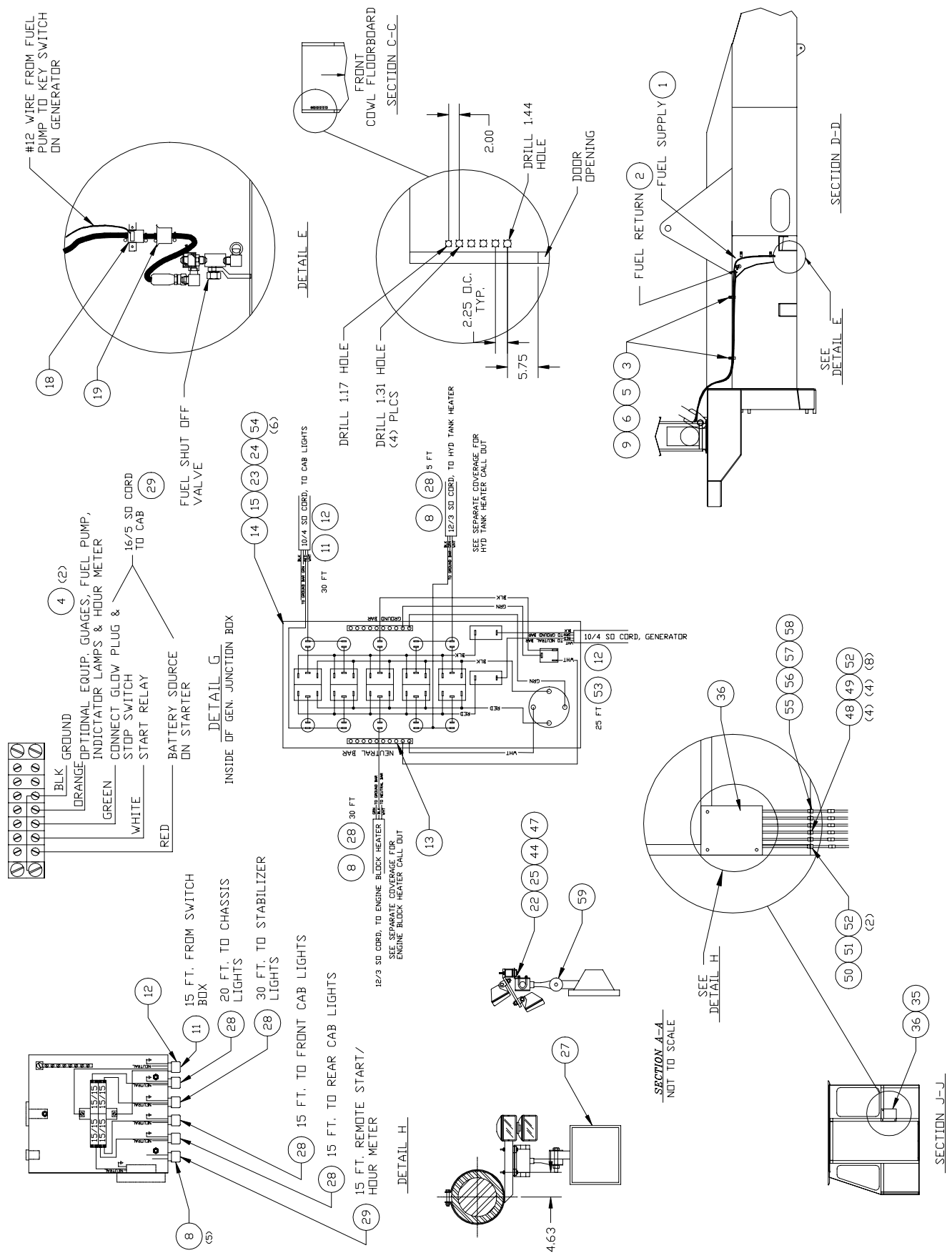


Generator/Lights/Heater





## Generator/Lights/Heater

Item	Part No.	Qty	Description	Item	Part No.	Qty	Description
	<b>577685</b>		<b>Generator/Lights/Heater</b>				
1	237587	20'	. Hose	29	230984	25'	. Cord
2	237588	20'	. Hose	30	237530	8	. Box
3	209699	7	. Clamp	31	237531	8	. Cover
4	219431	20'	. Wire	35	244758	4	. Circuit Breaker
5	223654	42	. Nut	36	577720	1	. Box Rework
6	221314	32	. Stud	38	577707	2	. Plate
8	237557	7	. Connector	39	577711	1	. Roof
9	230282	38	. Washer	40	563191	4	. Rod
10	239864	1	. Generator Set	41	577322	1	. Battery Box
11	222162	45'	. Cord	42	231722	4	. Capscrew
12	28016	2	. Connector	43	224202	4	. Nut
13	17175	2	. Grounding Bar	44	R13811022	4	. Capscrew
14	575950	4	. Plate	45	236851	4	. Capscrew
15	577048	2	. Bracket	46	R13811018	4	. Capscrew
16	241827	4	. Mach Scr	47	232939	12	. Nut
17	238596	4	. Nut	48	245104	4	. Receptacle
18	242712	1	. Pump	49	27655	4	. Plug
19	242713	1	. Filter	50	245105	1	. Plug
20	243335	1	. Battery	51	245106	1	. Receptacle
21	243336	1	. Box	52	235415	10	. Clamp
22	237578	16	. Washer	53	245107	30'	. Cord
23	577719	1	. Box Rework	54	245103	4	. Terminal Tab
24	237539	16	. U-Bolt	55	238719	1	. Connector
25	571221	32	. Washer	56	R740895	5	. Socket
26	571220	8	. Bracket	57	238718	1	. Receptacle
27	237527	8	. Floodlight	58	238982	5	. Pin
28	208110	115'	. Cord	59	245123	16	. Washer