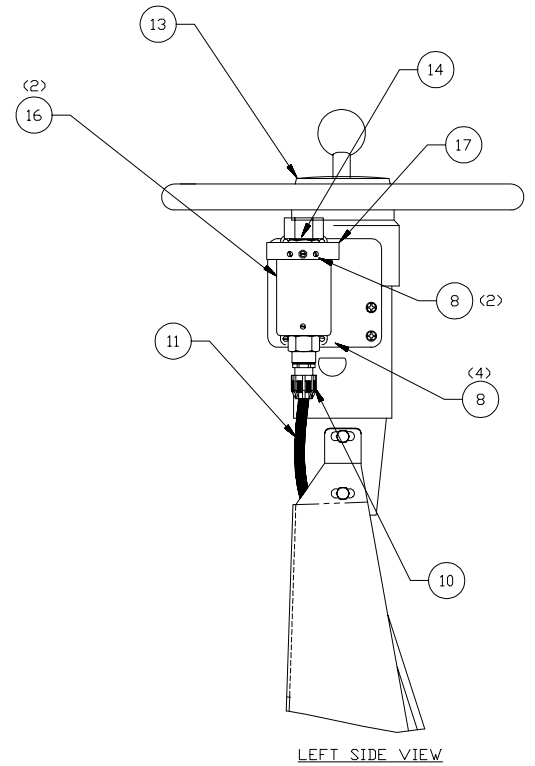
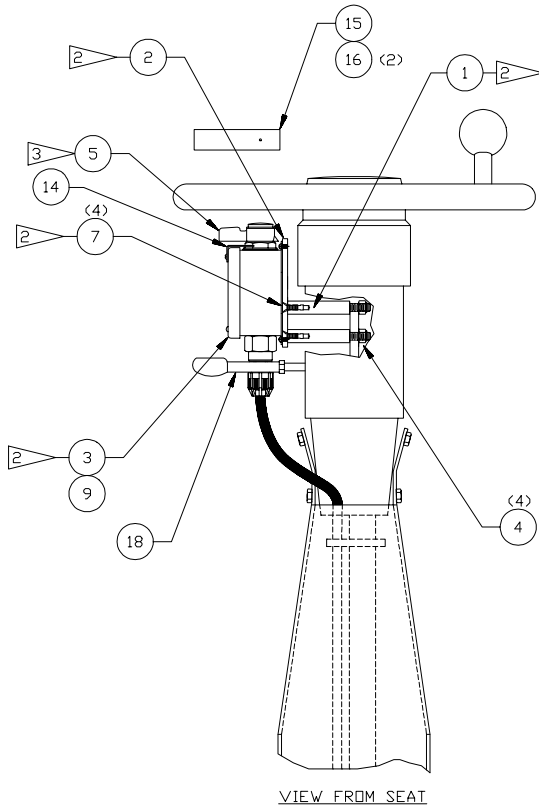


Speed Selector Assembly



VIEW FROM SEAT

LEFT SIDE VIEW

2 AFTER ITEMS 1, 2, 3 AND 7 HAS BEEN ASSEMBLED, BUT BEFORE INSTALLING SWITCH, PAINT FLAT BLACK.

3 REF WIRING DIAG. ON M/S FOR WIRING

Item	Part No.	Qty	Description	Item	Part No.	Qty	Description
	577626		Speed Selector Assembly				
1	571495	4	. Bolt, Step	13	* 577625	1	. Steering Column
2	577627	1	. Plate, Base	14	563317	1	. Decal
3	572658	1	. Box	15	572143	1	. Lever
4	232146	4	. Nut, Esna	16	238174	2	. Set Screw
5	237663	1	. Switch	17	572672	1	. Plate
7	230668	4	. Capscrew	18	577424	1	. Spacer
8	222354	6	. Capscrew				
10	227374	1	. Connector, Cord				
11	229808	12'	. Cord, SDN				
					* See Separate Coverage		