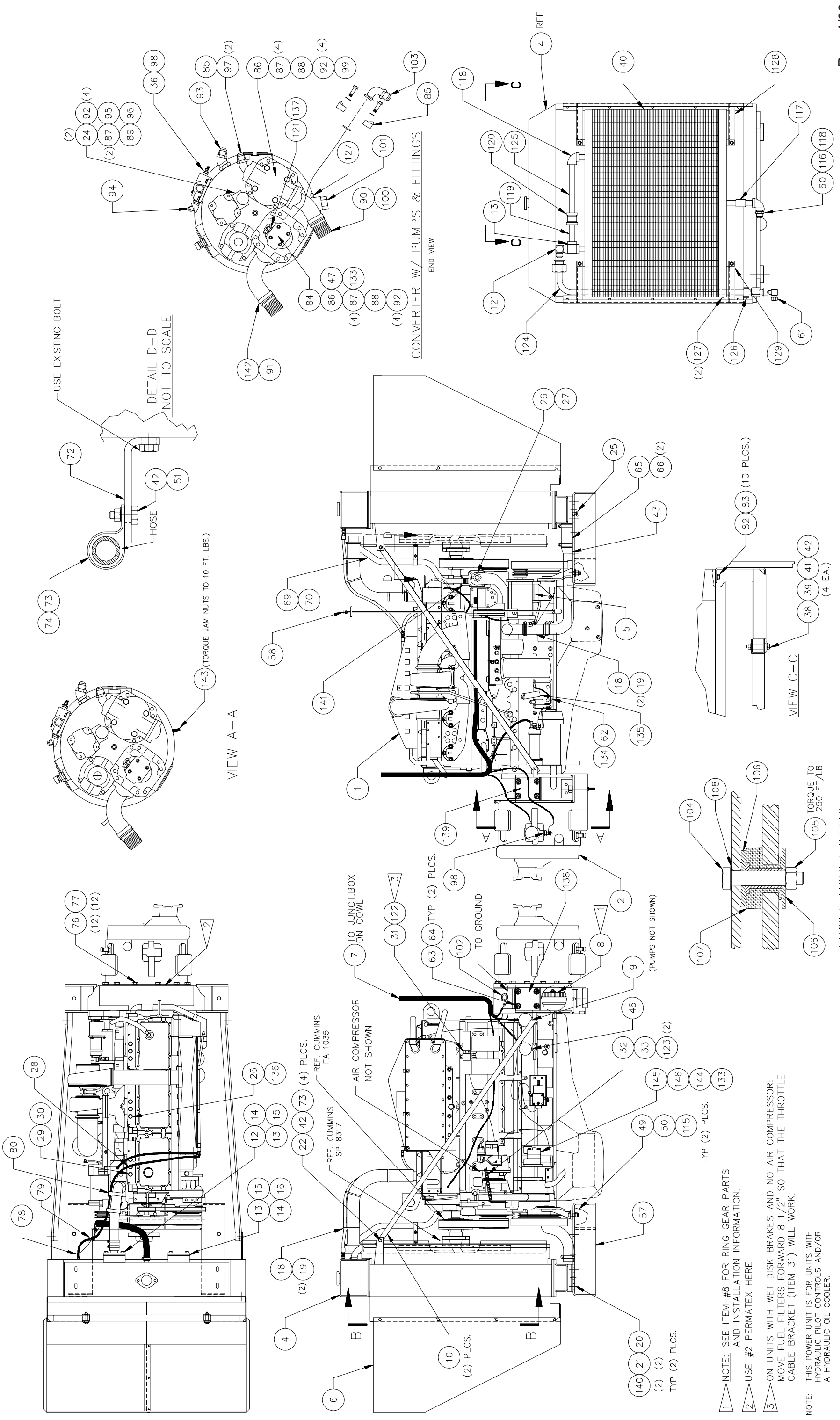


Power Unit

Power Unit

| Item | Part No. | Qty | Description | Item | Part No. | Qty | Description |
|------|---------------|-----|-----------------------------|------|----------|-----|---------------------------|
| | 577568 | | Power Unit | | | | |
| 1 | * 245022 | 1 | . Engine, Cummins N14C | 85 | 11767 | 3 | . Kit, Split Flange |
| 2 | * 239794 | 1 | . Converter | | 209537 | 2 | . . Clamp Half |
| 4 | * 573544 | 1 | . Radiator | | 222379 | 4 | . . Capscrew |
| 5 | * 234183 | 1 | . Alternator | | 200604 | 4 | . . Lockwasher |
| 6 | 577659 | 1 | . Air Scoop Assembly | 86 | 505499 | 2 | . Gasket |
| 7 | 577656 | 1 | . Wire Harnesses, Engine | 87 | 201635 | 8 | . Capscrew |
| 8 | 570775 | 1 | . Ring Gear Assembly | 88 | 539968 | 2 | . Sleeve |
| | 570776 | 24 | . . Stud | 89 | 203519 | 1 | . O-Ring |
| | 237315 | 96 | . . Washer, Bellville | 90 | 225661 | 1 | . Kit, Split Flange |
| | 237316 | 24 | . . Nut | | 230769 | 2 | . . Clamp Half |
| | 570735 | 1 | . . Ring Gear | | 203528 | 1 | . . O-Ring |
| 9 | 242461 | 1 | . Sender, Oil Pressure | | 200607 | 4 | . . Lockwasher |
| 10 | 576500 | 2 | . Angle | | 229082 | 4 | . . Capscrew |
| 12 | 508067 | 1 | . Connector, Radiator Top | 91 | 201458 | 1 | . Fitting |
| 13 | 506669 | 2 | . Gasket | 92 | 223909 | 12 | . Lockwasher |
| 14 | 222476 | 4 | . Capscrew | 93 | 209167 | 1 | . Fitting |
| 15 | 201569 | 4 | . Flat Washer | 94 | 217657 | 2 | . Fitting |
| 16 | 506670 | 1 | . Flange | 95 | 223794 | 1 | . Fitting |
| 18 | 211791 | 6' | . Hose, Radiator | 96 | 221186 | 1 | . Fitting |
| 19 | 201456 | 4 | . Clamp, Hose | 97 | 14857 | 2 | . Fitting |
| 20 | 576489 | 2 | . Pad | 98 | 242463 | 1 | . Sender, Oil Temperature |
| 21 | 234123 | 4 | . Capscrew | 99 | * 244832 | 1 | . Piggyback Pump |
| 22 | 233884 | 4 | . Capscrew | 100 | 560221 | 1 | . Fitting, |
| 24 | 230596 | 2 | . Capscrew | 101 | 225536 | 1 | . Fitting |
| 25 | 203056 | 1 | . Draincock | 102 | 226264 | 1 | . Magnetic Pick-Up |
| 26 | 203274 | 2 | . Valve, Shutoff | 103 | 14274 | 1 | . Fitting |
| 27 | 209505 | 1 | . Fitting | 104 | 230096 | 4 | . Capscrew |
| 28 | 242462 | 1 | . Sender, Water Temperature | 105 | 205126 | 4 | . Nut, Hex |
| 29 | 233406 | 1 | . Alarmstat | 106 | 214839 | 8 | . Hard Washer |
| 30 | 209504 | 1 | . Fitting | 107 | 234497 | 4 | . Dampener, Vibration |
| 31 | 575477 | 1 | . Bracket | 108 | 00106268 | 4 | . Flat Washer |
| 32 | 560328 | 1 | . Bracket | 113 | 209177 | 1 | . Fitting |
| 33 | 224653 | 1 | . Spring | 115 | 234663 | 2 | . Flat Washer |
| 36 | 209502 | 1 | . Fitting | 116 | 225025 | 1 | . Fitting |
| 38 | 540059 | 4 | . Spacer | 117 | 11649 | 1 | . Coupling, Pipe |
| 39 | 540058 | 4 | . Spacer | 118 | 209186 | 2 | . Fitting |
| 40 | 558464 | 1 | . Oil Cooler | 119 | 540172 | 1 | . Nipple, Pipe |
| 41 | 201612 | 4 | . Capscrew | 120 | 219155 | 1 | . Coupling |
| 42 | 223654 | 6 | . Nut, Esna | 121 | 214220 | 2 | . Fitting |
| 43 | 575439 | 1 | . Tube, Radiator | 122 | 226959 | 1 | . Kit, Cable Clamp |
| 46 | 222663 | 1 | . Pressure Stat | 123 | 00103374 | 2 | . Pin, Cotter |
| 47 | * 239790 | 1 | . Pump, Brake/Pilot | 124 | 558913 | 1 | . Tube Assembly |
| 49 | 230892 | 2 | . Capscrew | 125 | 558834 | 1 | . Pipe, Cooler |
| 50 | 224121 | 2 | . Nut, Esna | 126 | 224347 | 1 | . Clamp |
| 51 | 201604 | 2 | . Capscrew | 127 | 00103878 | 2 | . Plug, Pipe |
| 57 | 576477 | 1 | . Engine Mount | 128 | 562191 | 1 | . Rail |
| 58 | * 571897 | 1 | . Dipstick Installation | 129 | 562192 | 1 | . Rail |
| 60 | 236535 | 1 | . Fitting | 133 | 226184 | 2 | . Gasket |
| 61 | 210084 | 1 | . Fitting | 134 | 568927 | 1 | . Ground Strap |
| 62 | 529449 | 1 | . Ground Strap Assembly | 135 | * 575206 | 1 | . Engine Oil Fill |
| 63 | 223694 | 8 | . Lockwasher | 136 | 209506 | 1 | . Fitting |
| 64 | 223692 | 8 | . Capscrew | 137 | 209416 | 1 | . Fitting |
| 65 | 211807 | 4' | . Hose, Radiator | 138 | 576465 | 1 | . Engine Mount ,LH |
| 66 | 203232 | 2 | . Clamp, Hose | 139 | 576496 | 1 | . Engine Mount ,RH |
| 69 | 206320 | 3' | . Hose, Bulk | 140 | 234665 | 4 | . Lockwasher |
| 70 | 202947 | 2 | . Clamp, Hose | 141 | 221849 | 1 | . Fitting |
| 72 | 530799 | 1 | . Bracket | 142 | 23390 | 1 | . Kit, Split Flange |
| 73 | 223427 | 12 | . Flat Washer | | 203523 | 1 | . . O-Ring |
| 74 | 209700 | 1 | . Clamp | | 209539 | 2 | . . Clamp Half |
| 76 | 201615 | 12 | . Capscrew | | 201621 | 4 | . . Capscrew |
| 77 | 201568 | 12 | . Lockwasher | | 200604 | 4 | . . Lockwasher |
| 78 | 209304 | 1 | . Fitting | 143 | 577393 | 1 | . Switch Assembly, Prox |
| 79 | 241376 | 1 | . Hose Assembly | 144 | * 238730 | 1 | . Brake Pump |
| 80 | 223872 | 2 | . Strap, Tie | 145 | 209757 | 1 | . Fitting |
| 82 | 223655 | 10 | . Capscrew | 146 | 225025 | 1 | . Fitting |
| 83 | 223657 | 10 | . Lockwasher | | | | |
| 84 | * 244834 | 1 | . Hydraulic Gear Pump | | | | * See Separate Coverage |



- 1 NOTE: SEE ITEM #8 FOR RING GEAR PARTS AND INSTALLATION INFORMATION.
 - 2 USE #2 PERMATEX HERE
 - 3 ON UNITS WITH WET DISK BRAKES AND NO AIR COMPRESSOR: MOVE FUEL FILTERS FORWARD 8 1/2" SO THAT THE THROTTLE CABLE BRACKET (ITEM 31) WILL WORK.
- NOTE: THIS POWER UNIT IS FOR UNITS WITH HYDRAULIC PILOT CONTROLS AND/OR A HYDRAULIC OIL COOLER.

ENGINE MOUNT DETAIL
TYPICAL (4) PLACES

VIEW C-C
(4 EA.)

VIEW A-A

CONVERTER W/ PUMPS & FITTINGS
END VIEW

USE EXISTING BOLT
DETAIL D-D
NOT TO SCALE

143 (TORQUE JAM NUTS TO 10 FT. LBS.)

(PUMPS NOT SHOWN)

(2) PLCS.

TYP (2) PLCS.

TORQUE TO 250 FT/LB