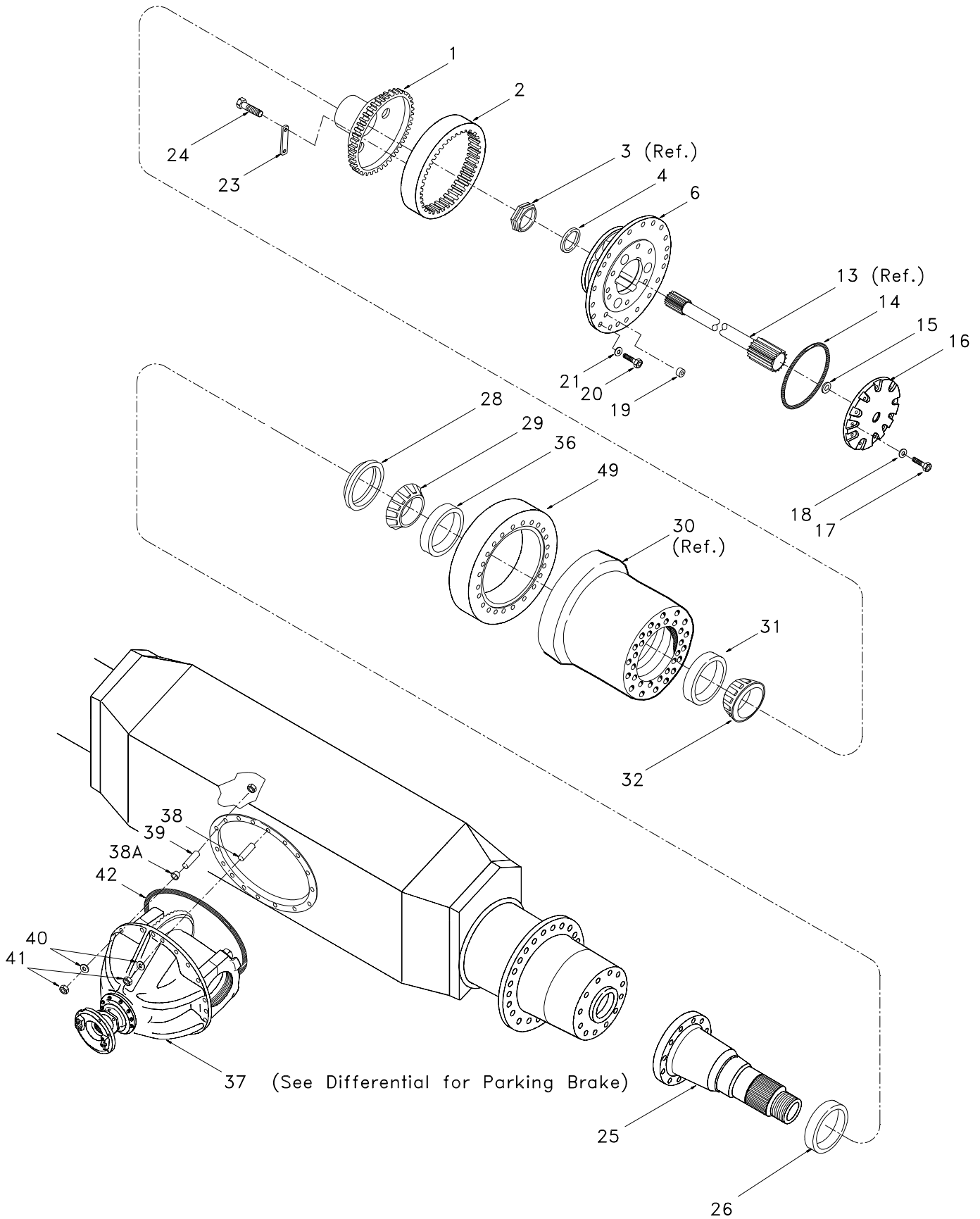


---

Posi-Torque Axle



## Posi-Torque Axle

Item	Part No.	Qty	Description	Item	Part No.	Qty	Description
	<b>577567</b>		<b>Posi-Torque Axle</b>				
1	*a 223599	2	. Internal Gear Hub	28	217777	2	. Oil Seal
2	*a 223601	2	. Internal Ring Gear	29	217832	2	. Bearing Cone
3	*c Ref.	2	. Spindle Nut	30	*c Ref.	2	. Hub
4	223600	4	. Thrust Washer	31	217834	2	. Bearing Cup
6	* 223617	2	. Planet Carrier Assembly	32	217835	2	. Bearing Cone
13	*c Ref.	2	. Axle Shaft & Sun Gear Assembly	36	217833	2	. Bearing Cup
14	208956	2	. Seal Ring	37	* 577171	1	. Differential & Carrier Assembly
15	*b 201047	2	. Thrust Washer	38	218116	18	. Stud
16	223622	2	. Planet Cover Assembly	38A	R4094932	12	. Dowel
17	217762	18	. Capscrew	39	218117	4	. Stud
18	211304	18	. Washer	40	R104412	22	. Washer
19	201131	2	. Plug	41	217779	22	. Nut
20	208951	62	. Capscrew	44	218126	1	. O-Ring
21	R104412	62	. Capscrew				
23	*a 223610	12	. Retaining Plate		*		See Separate Coverage
24	*a 226279	24	. Capscrew		*a		Included in 223618 Internal Gear & Hub Assembly
25	223611	2	. Spindle		*b		Included in 223622 Planet Cover Assembly
26	217771	2	. Wear Sleeve		*c		See Axle Installation on M/S
27	216157	2	. Oil Catcher				