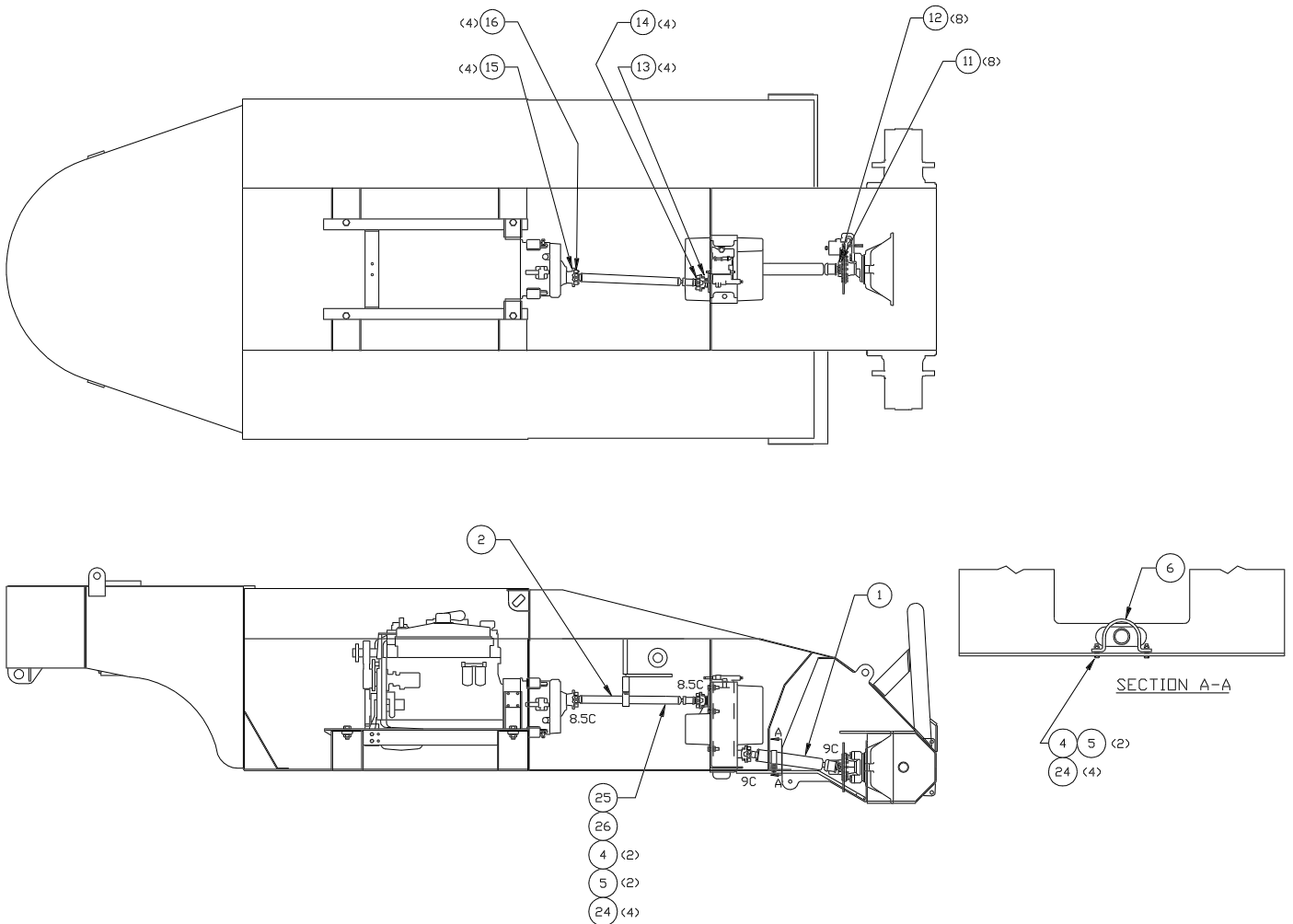


Driveline Installation



Item	Part No.	Qty	Description	Item	Part No.	Qty	Description
	577545		Driveline Installation				
1	* 243414	1	. Driveline Assembly	15	230614	4	. Capscrew
2	* 243560	1	. Driveline Assembly	16	214108	4	. Capscrew
4	00271562	4	. Capscrew	24	00106267	8	. Flat Washer
5	00274821	4	. Nut, Esna	25	571555	1	. Bracket
6	528830	1	. Shield	26	522154	1	. Guard
11	215463	8	. Capscrew	27	* 237632	1	. Parking Disc Brake
12	203258	8	. Capscrew				
13	210961	4	. Capscrew				
14	204319	4	. Capscrew				

* See Separate Coverage